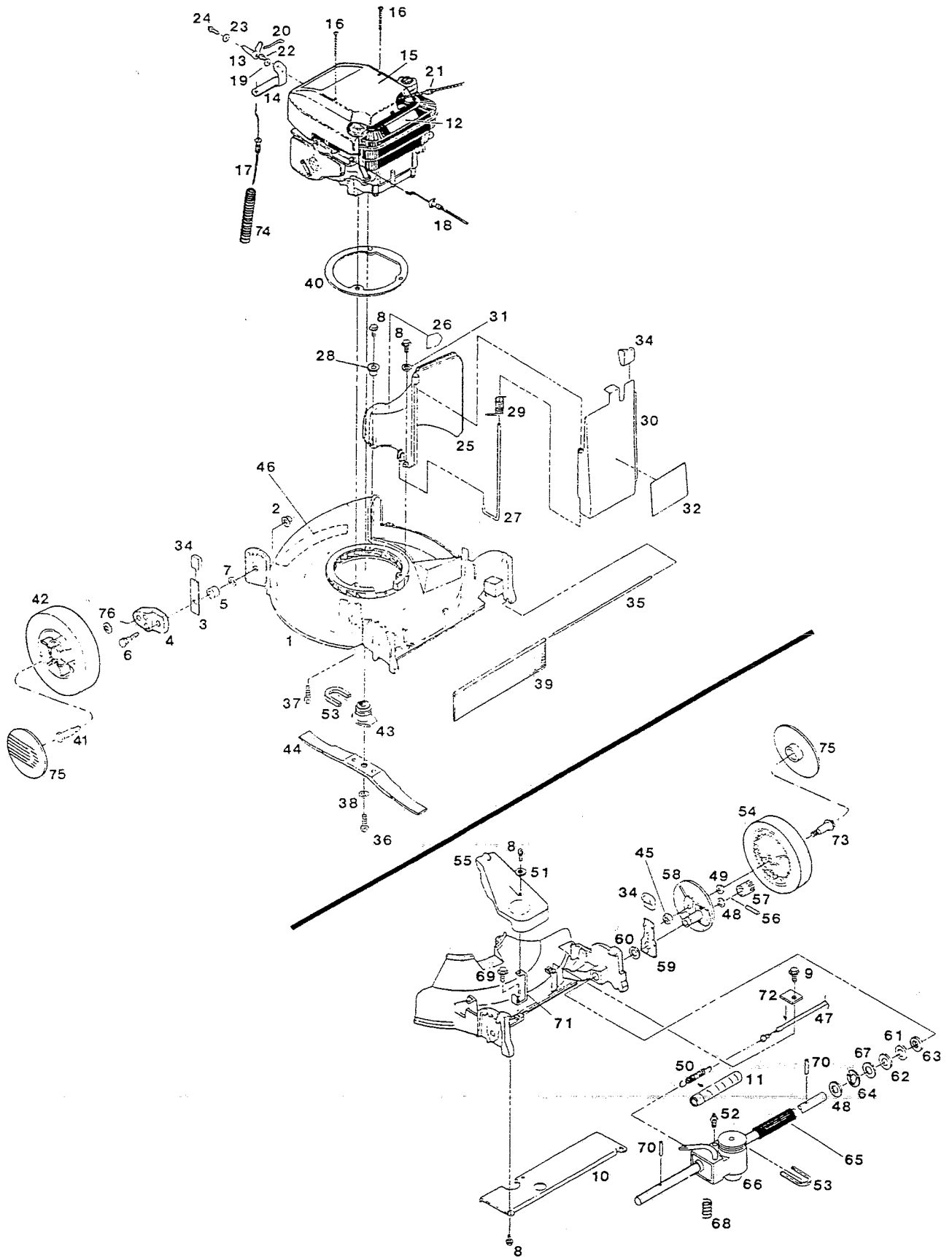


MODEL: HSB21P/5-N



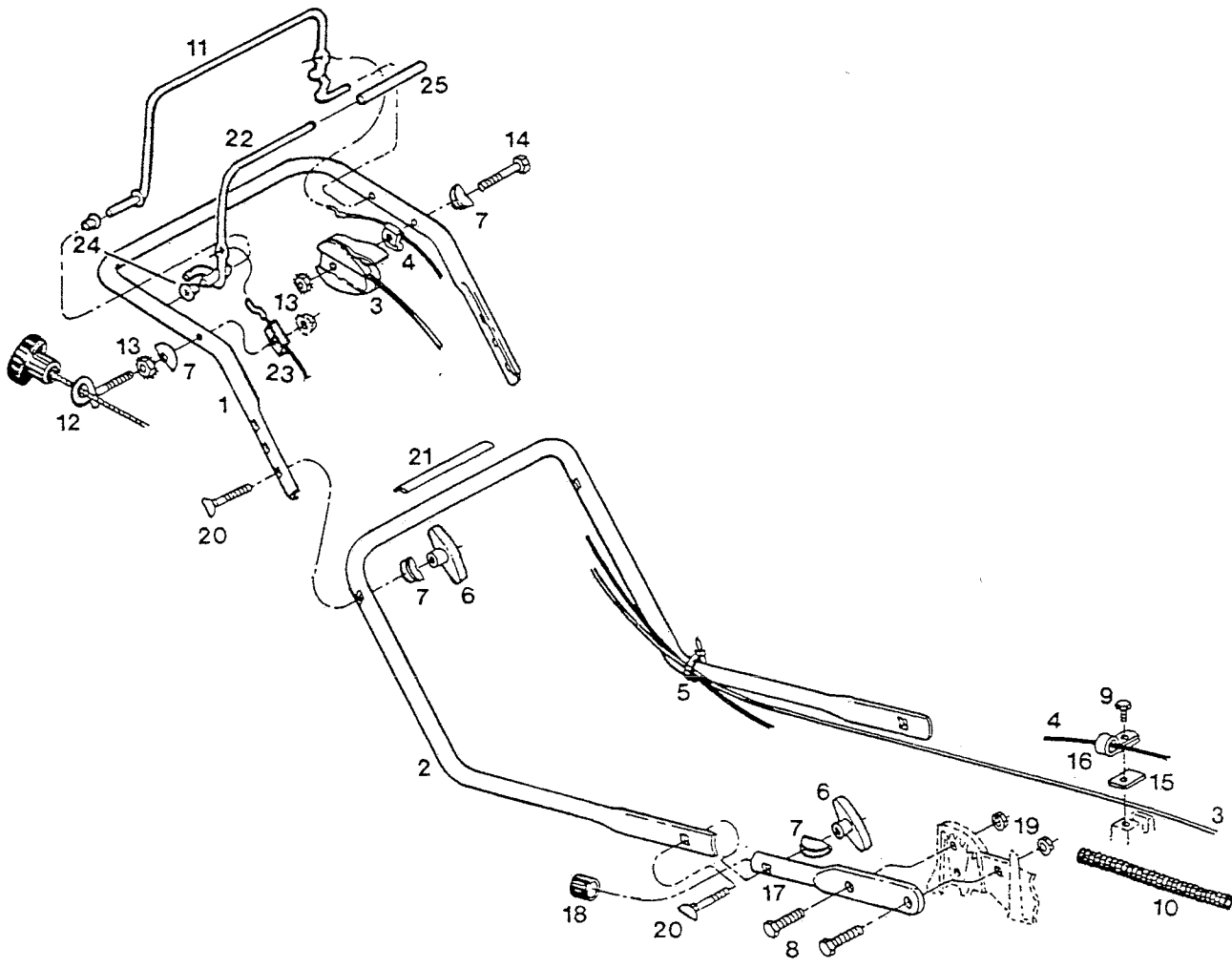
S/N 239045
P/L 082871
O/M 082869

Parts listed are for mower excluding the engine.
For engine information refer to Engine manual enclosed in literature bag.

Index No.	Part No.	Description	Index No.	Part No.	Description
1	023848	Deck - 21" Red	40	588984	Engine ring
2	159236	Nut - 5/16" flg. lock	41	166741	Wheel bolt - front
3	586051	Setting lever assembly	42	043236	Wheel - 8" front
4	023895	Wheel arm	43	095214	Adapter - blade with key
5	581274	Spacer - wheel	44	589413	Blade - 21"
6	166730	Bolt - height adjuster	45	156406	Nut - 3/8-16 lock
7	715185	Washer - flat 5/16"	46	800076	Decal - logo
8	583021	Screw - 1/4-20 x 3/4" hex tap	47	053093	Cable - drive control
9	158089	Screw - 1/4-20 x 1/2 hex tap	48	580632	Washer - flat
10	116776	Cover - rear	49	581584	Washer - flat
11	581526	Cover - spring	50	581933	Spring - extension
12	009415	Decal - blade warning	51	151555	Washer - flat 1/4
13	023682	Bellcrank	52	586247	Vent
14	023815	Bracket - throttle	53	588705	V-belt
15	036938	Cover - engine	54	043238	Wheel - 8" power propelled
16	036731	Screw - #8-32 x 1-1/4 Phillips tap	55	589349	Cover - drive
17	053107	Control - throttle w/cable	56	589363	Drive pin
18	053108	Cable - engine/blade control	57	589417	Pinion R.H.
19	094250	Spacer - stepped		589418	Pinion L.H.
20	095532	Throttle link	58	095304	Drive wheel support ass'y
21	152074	Rope stop	59	586795	Setting lever ass'y - blk
22	157784	Screw - #10-24 x 3/8 hex tap	60	581477	Spacer - rear hgt. adj.
23	159467	Washer - flat 3/16	61	579094	Washer - shim
24	380543	Screw - #10-24 x 3/4 hex tap	62	581005	Washer - flat
25	115524	Discharge chute	63	583308	Washer - wave
26	143115	Decal - CPSC danger	64	583355	E-ring
27	581483	Hinge pin	65	115462	Dust shield - plastic
28	166752	Eyelet	66	300014	Transmission - one speed
29	587976	Spring - door chute	67	586266	Washer - thrust
30	023888	Door chute	68	589468	Spring - compression
31	615690	Washer - flat 1/4"	69	583044	Screw - #10-16 x 1/2 hex hd. tap
32	799496	Decal - door warning	70	583400	Roll pin - 1/8 x 7/8
33	715391	Nut - hex 3/8-16	71	116772	Bracket - belt cover blk
34	579717	Plastic tip - height adjuster	72	586626	Clamp - drive control cable
35	581486	Rod - trailing shield	73	166743	Wheel bolt - rear
36	382902	Bolt - 3/8-24 x 1-1/4 HHCS Gr. 8	74	589494	Cover - cable
37	382892	Bolt - 3/8-16 x 2-1/4 HHCS Gr. 5	75	043240	Hubcap
38	156919	Washer - 3/8 lock H.D.	76	715607	Washer - Belleville
39	581515	Trailing shield - plastic	-	588607	Kit - side discharge chute (optional)

S/N 239045
P/L 082871
O/M 082869

MODEL: HSB21P/5-N



Index No.	Part No.	Description
1	023891	Handle - upper
2	589364	Handle - lower
3	053107	Control - throttle w/cable
4	053108	Cable - engine/blade control
5	110379	Cable Tie
6	115540	Wing Nut - plastic
7	150201	Washer - 5/16 curved
8	152108	Bolt - 5/16-18 x 1 Gr. 5
9	158097	Screw - 1/4-20 x 5/8 hex tap
10	589494	Cover - cable
11	073623	Bail - engine blade control
12	152629	Eyebolt - rope guide 1/4-20

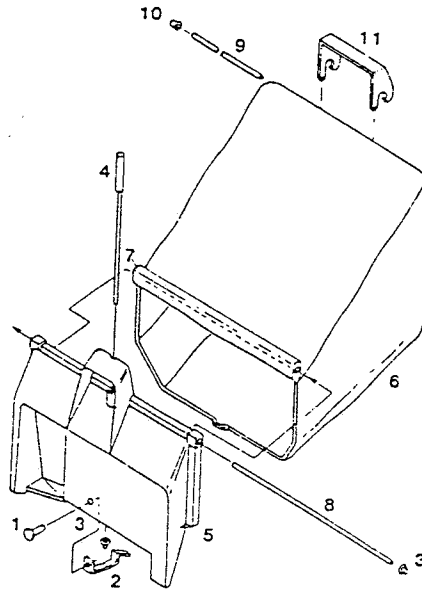
Index No.	Part No.	Description
13	715037	Nut - 1/4-20 keps
14	616094	Bolt - 1/4-20 x 2-1/2
15	586626	Clamp - throttle cable
16	588983	Clamp - engine control cable
17	589362	Stub - handle mounting
18	589412	Cap - plug
19	159236	Nut - 5/16 flg. lock
20	151936	Bolt - handle, curved head
21	799599	Decal - starting instructions
22	588620	Bail - ground drive control
23	053903	Cable - drive control
24	588643	Bushing - control bail
25	588474	Sleeve - control bail

S/N 239045
P/L 082871
O/M 082869

21" REAR BAGGING ROTARY MOWER

Model HSB21P/5

Self Propelled



INDEX NO.	PART NO.	DESCRIPTION
--	161305	Grass Bag Kit
1	118555	Rivet - 5/32 x 3/8
2	581517	Latch - Bag Release
3	583212	Palnut
4	587167	Rod - Latch Release
5	115526	Bag Adapter
6	161269	Bag - Replacement
7	579734	Rod - Bag Support
8	581484	Rod - Bag Hinge
9	581485	Rod - Upper Bag Support
10	581489	Retainer - Rod
11	587165	Handle - Bag

▲WARNING

THOROUGHLY READ OPERATOR'S MANUAL AND COMPLETELY ASSEMBLE ALL LOOSE PARTS BEFORE OPERATING MOWER.

▲WARNING

DO NOT OPERATE YOUR MOWER UNLESS ALL PARTS ARE ATTACHED AND IN GOOD WORKING ORDER. KEEP YOUR MOWER IN GOOD REPAIR AT ALL TIMES.

NOTE: PARTS ARE RIGHT OR LEFT HAND AS VIEWED FROM THE OPERATOR POSITION. SPECIFICATIONS SUBJECT TO CHANGE WITHOUT PRIOR NOTICE.

S/N 239045
P/L 082871
O/M 082869