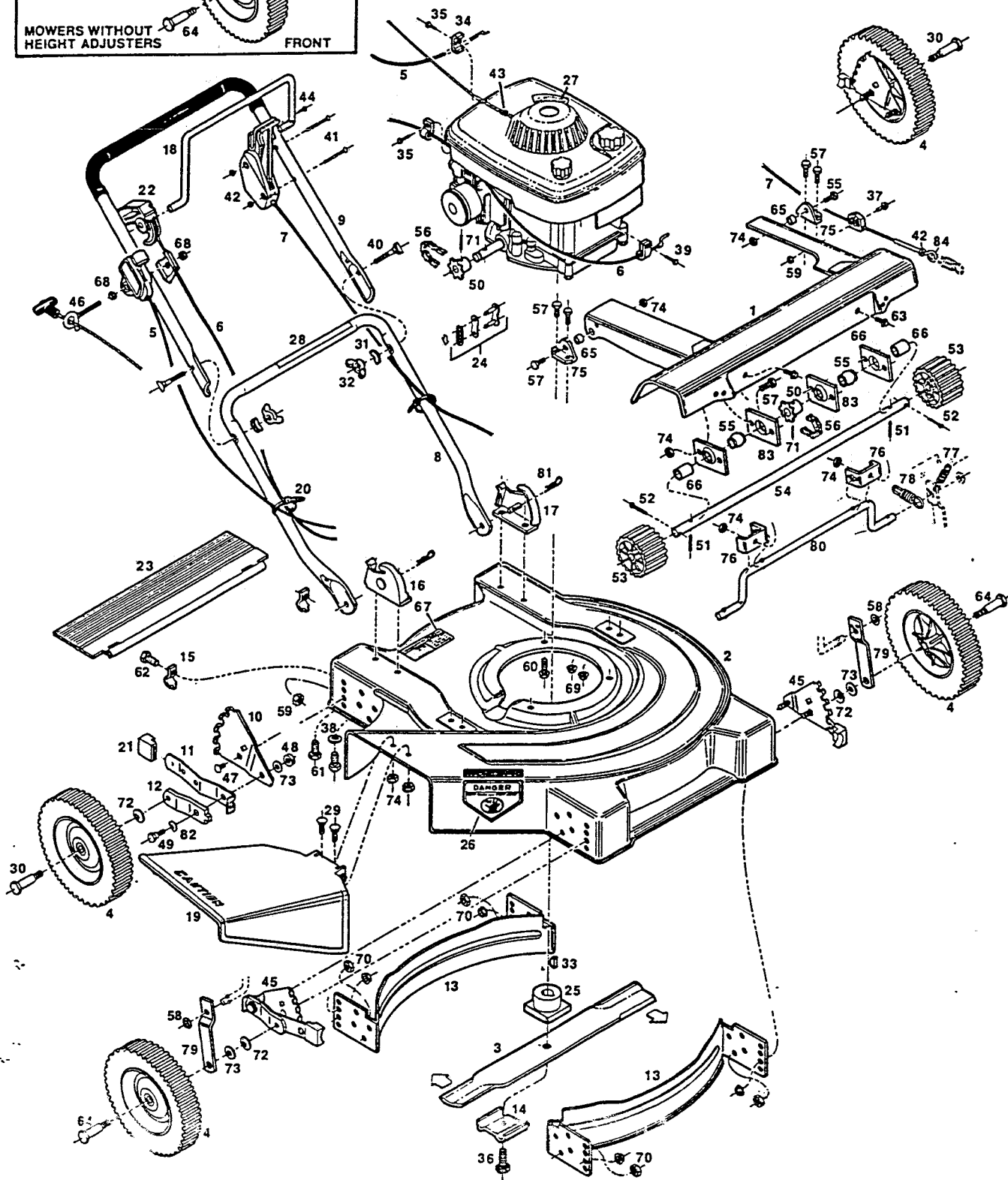
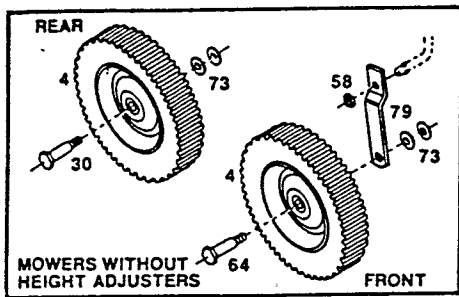


# 22" Rotary Mower LERSP22D

Grass Catcher -  
GC6A  
(Not Shown)



# PARTS LIST

## 22" Rotary Mower LERSP22D

Index No.	Part No.	Description
1	024497	Cover Assembly w/o Ht. Adj.
1	024489	Cover Assembly w/Ht. Adj.
2	029702	Deck-22" Orange
2	029751	Deck - 22" Green
3	030049	Blade 22" Flat
4		Wheel Assemblies•
4	040741	Wheel - 8" Plastic White Cog
4	040634	Wheel - 8" Steel White Cog
5	050906	Control - Throttle w/Cable
6	051029	Cable - Engine/Blade Control
7	050815	Control - Ground Drive
8	071563	Handle - Lower
9	071092	Handle - Upper •
9	071100	Handle - Upper Cushioned •
10	090589	Back Plate - Ht. Adjuster •
11	090613	Setting Lever - Ht. Adjuster•
12	090977	Wheel Lever - Ht. Adjuster•
13	101519	Baffle - Rear Standard, Front•
14	106336	Washer - Blade Adapter
15	106914	Clip - Trailing Shield
16	107086	Handle Bracket - R.H.
17	107094	Handle Bracket - L.H.
18	107367	Bail - Engine/Blade Control
19	110221	Chute Deflector Assembly
20	110379	Cable Tie
21	111260	Plastic Tip - Ht. Adjuster•
22	111526	Actuator-Engine Control
23	111609	Trailing Shield - 22" w/o Ht. Adj.
23	111617	Trailing Shield - 22" w/Ht. Adj.
24	120295	Master Link #65
25	133231	Blade Adapter
26	144063	Decal - Danger
27	149468	Decal - Blade Warning
28	144899	Decal - Starting Instructions
29	150011	Bolt - Carriage 1/4-20 x 5/8
30	150060	Shoulder Bolt - Rear w/Ht. Adj.
30	150730	Shoulder Bolt - Rear w/o Ht. Adj.
31	150201	Washer - Curved 5/16
32	150235	Wingnut 5/16-18
33	150276	Woodruff Key #6
34	150318	Cable Clamp
35	150623	Screw Hex Head Sht. Metal #10 x 5/8
36	150862	Bolt 3/8-24 x 3/4
37	151522	Bolt #10-24 x 3/8
38	151555	Washer - 1/4" Flat
39	151613	Bolt - Hex Head Sems
40	151928	Bolt - Curved Head Square 5/16-18 x 1-3/4
41	151944	Bolt - Oval Head Machine, #10-24 x 2

Index No.	Part No.	Description
42	151985	Nut - Hex #10-24
43	152074	Rope Stop
44	152181	Screw - Bail Retaining
45	128686	Height Adjuster Assembly
46	152629	Rope Guide
47	152405	Bolt - Carriage 3/8-16 x 3/4•
48	152413	Washer - Plastic •
49	153643	Shoulder Bolt - Ht. Adjuster•
50	170142	Sprocket - 8 Tooth
51	314096	Roll Pin 3/16 x 1-1/4
52	317016	Cotter Pin 1/8 x 1
53	416693	Pinion
54	417741	Shaft w/o Ht. Adj.
54	417766	Shaft w/ Ht. Adj.
55	423319	Bearing
56	425306	Chain
57	449587	Bolt - Hex Head 1/4-20 x 5/8
58	452250	Push Nut
59	452318	Nut - Nylon Insert #10-24
60	457168	Bolt - Thread Form 3/8-16 x 7/8
61	457499	Bolt - Thread Form 1/4-20 x 1/2
62	458687	Bolt - #10-24 x 1/2
63	459206	Bolt - Flange Head, 1/4-20 x 5/8
64	459537	Bolt - Shoulder Front w/Ht. Adj.
64	459560	Bolt - Shoulder Front w/o Ht. Adj.
65	468355	Spacer Pivot
66	468405	Spacer - w/Ht. Adj.
66	468397	Spacer - w/o Ht. Adj.
67	714170	Decal - Rating Plate
68	715037	Nut - Kep 1/4-20
69	451419	Nut - Top Lock Flange 1/4-20
70	715086	Locknut Hex-3/8-16
71	715193	Roll Pin 3/16 x 1
72	715607	Washer - Belleville•
73	715417	Washer - 3/8 S.A.E.
74	715508	Nut - Top Lock 1/4-20
75	769067	Bracket - Pinion Tube
76	771691	Bracket
77	775817	Spring - Pinion Assembly
78	775858	Spring - Drive Control
79	778696	Actuator Arm
80	783597	Rod - Engagement w/o Ht. Adj.
80	783613	Rod - Engagement w/Ht. Adj.
81	715011	Hitch Pin #3
82	152421	Spring Washer•
83	463778	Bearing Plate
84	153890	Eye Bolt