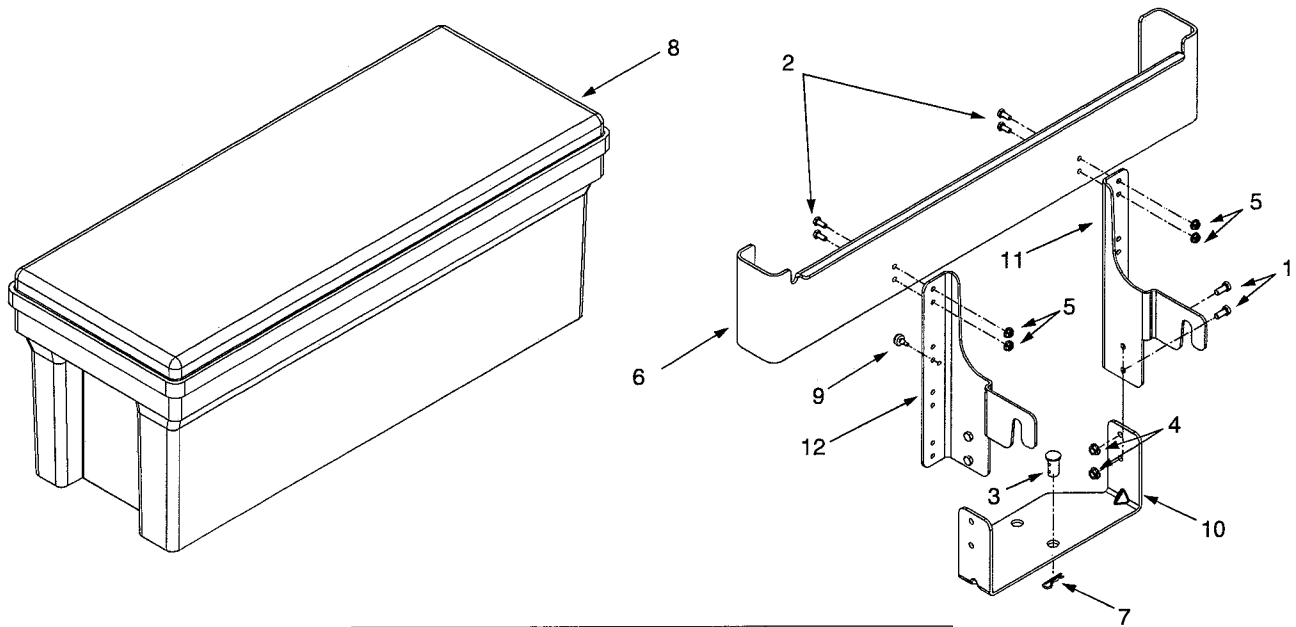


SECTION 4: PARTS LIST



REF. NO.	PART NO.	DESCRIPTION
1	710-3008	Hex Cap Screw, 5/16-18 x .75
2	710-0751	Hex Cap Screw, 1/4-20 x .62
3	711-0309A	Clevis Pin
4	712-3004A	Hex Flange Lock Nut, 5/16-18
5	712-3027	Hex Flange Lock Nut, 1/4-20
6	783-0777	Tool Box Support Bracket
7	714-0117	Internal Cotter Pin, .148 x 3
8	731-2110	Plastic Tool Box
9	735-0271	Bumper, .62 Dia. x .3
10	783-0765	Cross Support Bracket
11	783-0764	LH Support Bracket
12	783-0673	RH Support Bracket