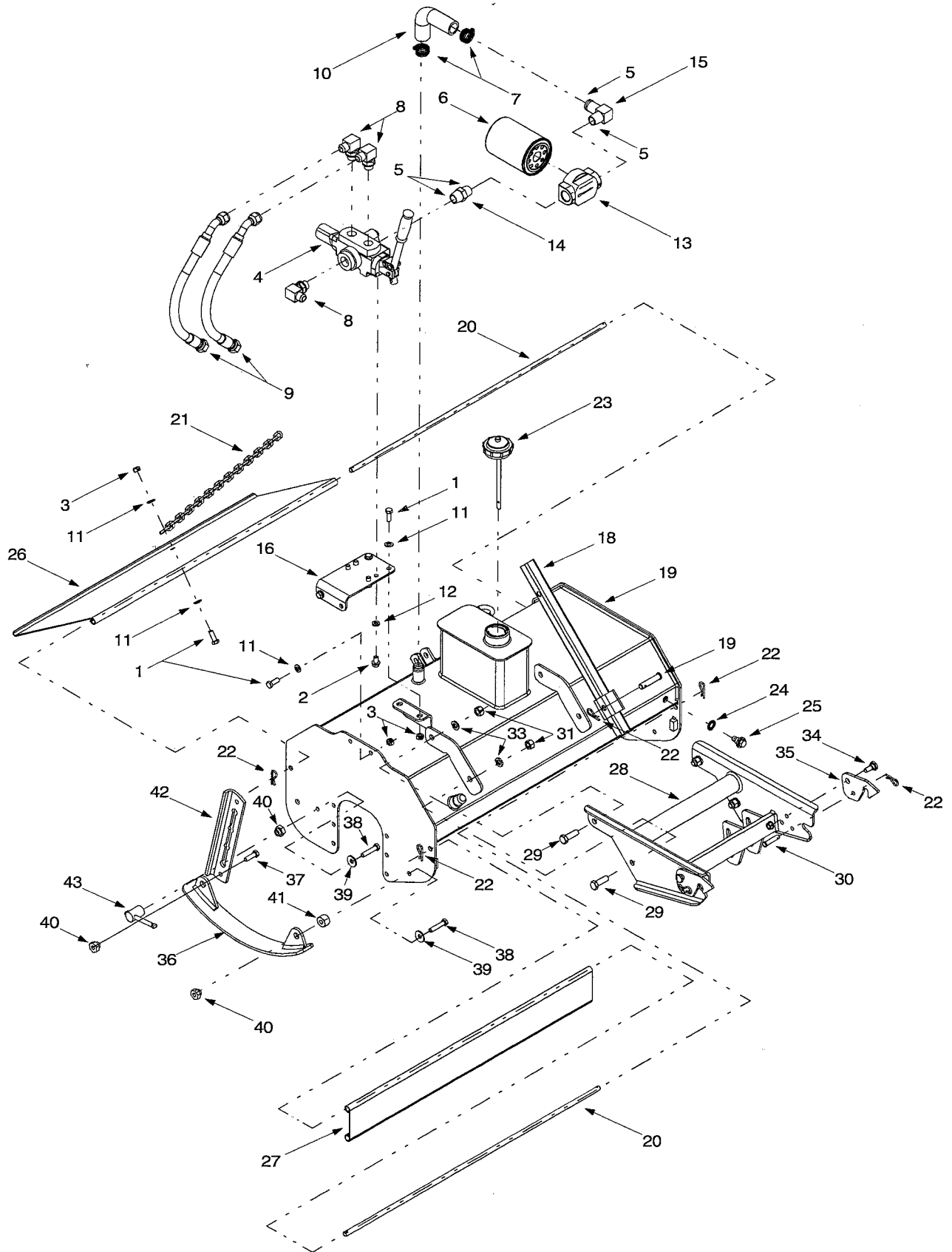


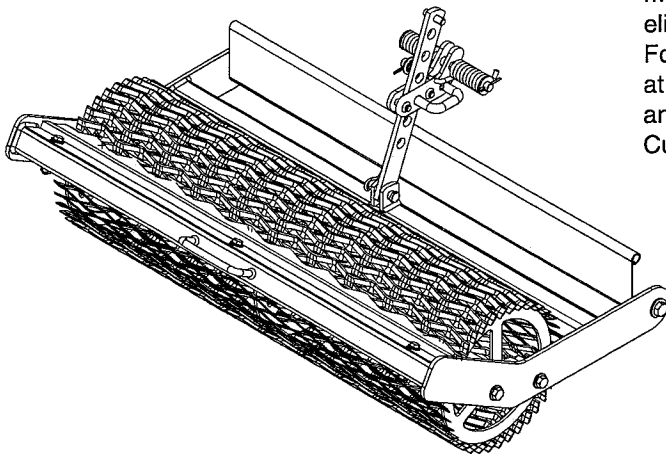
Model 825



Hydraulic Valve and Tiller Housing Assembly

Ref. No.	Part No.	Description	Ref. No.	Part No.	Description
1.	710-0514	Hex Cap Screw, 3/8-16 x 1.0	23.	720-0315	Vented Tank Cap
2.	710-0870	Shoulder Screw, 3/8-16 x .625	24.	721-0223	<i>Stat-O-Seal</i> O Ring
3.	712-3000	Hex Lock Nut, 3/8-16	25.	738-0940	Drain Plug
4.	718-0673	<i>Energy</i> Hydraulic Valve	26.	786-0252	Rear Tine Shield, 30"
5.	721-0297	<i>Locktite</i> Hydraulic Sealant	27.	786-0274	Front Tine Shield, 30"
6.	723-0405	Oil Filter	28.	686-0142	Hitch Link Assembly
7.	726-0132	Adjustable Hose Clamp	29.	710-3181	Hex Cap Screw, 1/2-13 x 1.5
8.	727-0220	90° Hydraulic Adapter, 7/8	30.	711-0415	Clevis Pin, 3/8 x 1.75
9.	727-0520	Hydraulic Hose, 7/8-14	31.	712-0206	Hex Nut, 1/2-13
10.	727-0625	90° Hydraulic Hose, 1.37 x 1.0	32.	712-0431	Flange Lock Nut, 3/8-16
11.	736-0185	Flat Washer, .375 x .738 x .063	33.	736-0921	Lock Washer, 1/2
12.	736-0217	Lock Washer, 3/8	34.	738-0380	Shoulder Screw, .50 x .27, 3/8-16
13.	737-0306	Filter Housing	35.	786-0281	Hitch Latch
14.	737-0338	Hydraulic Adapter, 3/4 x 3/4	36.	686-0154	Skid Bracket Assembly
15.	737-0341	90° Hydraulic Adapter, 3/4 x 1.0	37.	710-1039	Hex Cap Screw, 3/8-24 x 1.0
16.	786-0265	Valve Mounting Bracket	38.	710-1810	Hex Cap Screw, 3/8-24 x 1.75
17.	686-0143	Frame Assembly	39.	736-0452	Bell Washer, .396 x 1.14 x .095
18.	686-0155	Tiller Stand	40.	738-1144	Shoulder Nut, 3/8-24
19.	711-0510	Clevis Pin, .50 x 2.0	41.	750-0706	Spacer, 1.0 x .380 x .64
20.	711-1380	Shield Pivot Rod	42.	786-0302	Skid Adjuster Bracket
21.	713-0490	Chain, 24.37"	43.	786-0308	Adjuster Crank
22.	714-0419B	Internal Cotter Pin			

OEM-190-007 Soil Grade Roller

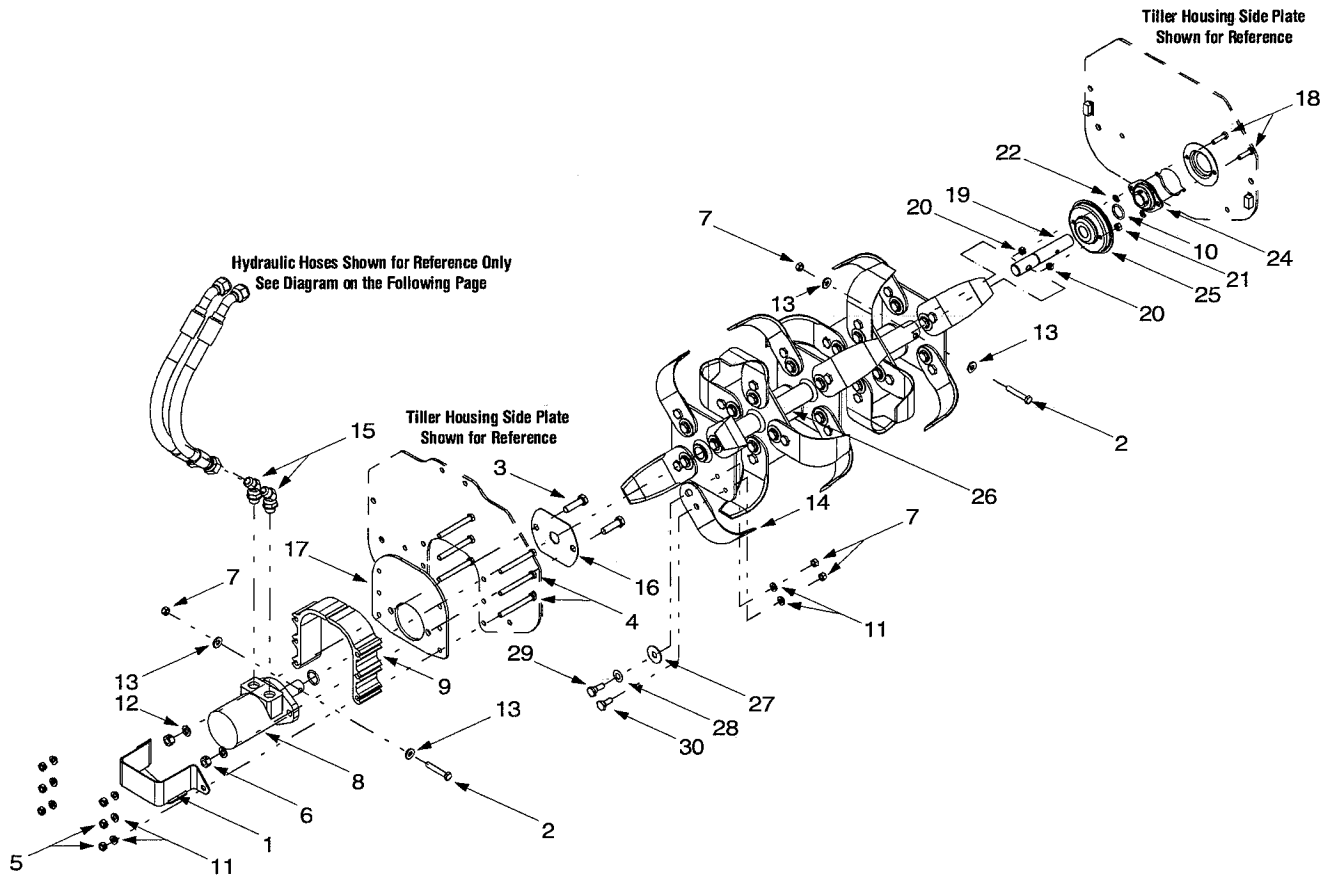


OEM-190-007 is a rear-end accessory available for OEM-190-825 hydraulic tiller attachment. When mounted to OEM-190-825, the soil grade roller helps eliminate the need for post-till raking and leveling. For availability and price information, contact the retailer at which the hydraulic tiller attachment was purchased, an authorized *MTD* service dealer, or call the *MTD* Customer Support Department at (800) 800-7310.

SECTION 11: PARTS LIST

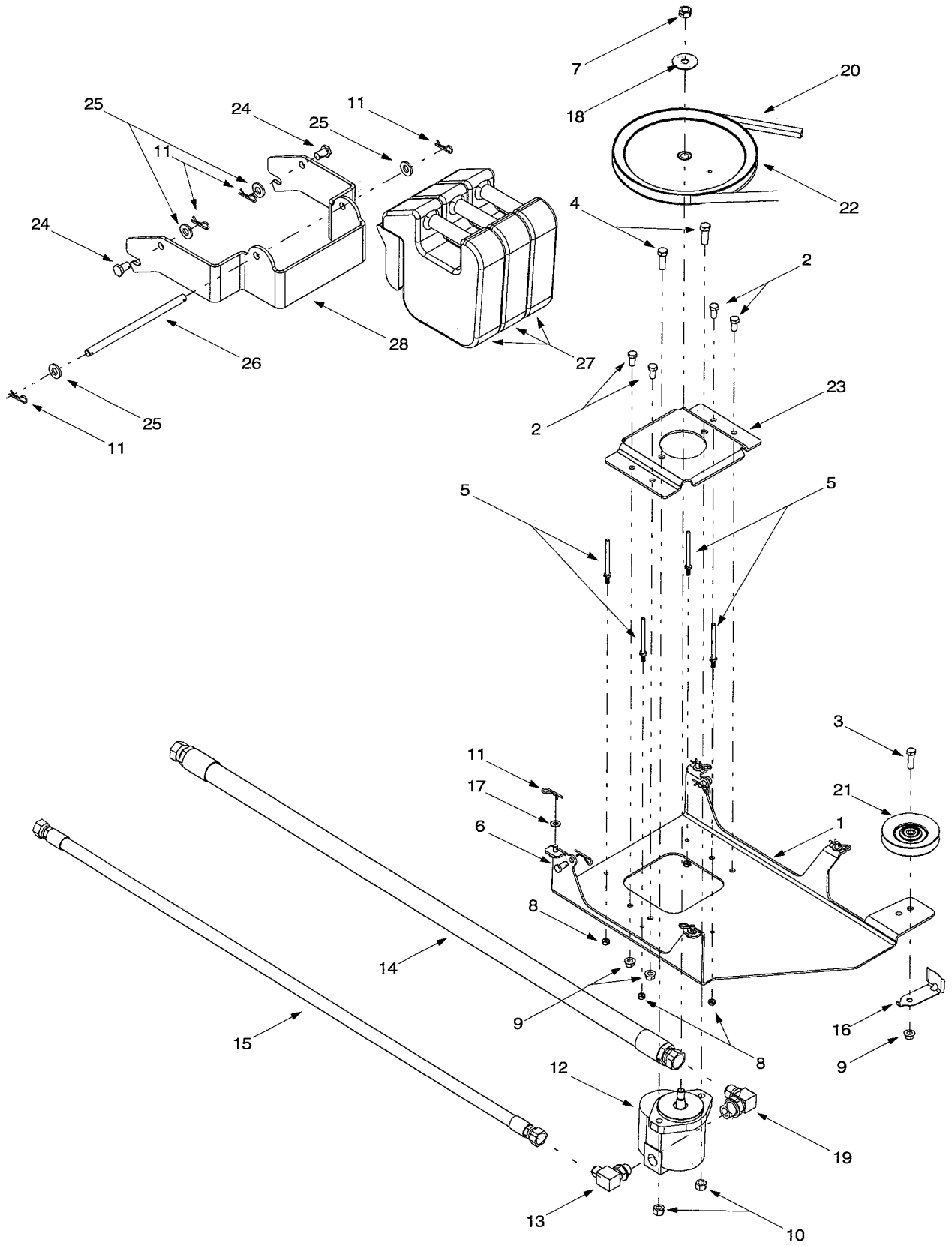
Model 825

Hydraulic Motor and Tine Assembly



Ref. No.	Part No.	Description	Ref. No.	Part No.	Description
1.	686-0123	Hydraulic Motor Guard	16.	786-0241	Hydraulic Motor Cover
2.	710-1254	Hex Cap Screw, 3/8-24 x 2.25	17.	786-0291	Hydraulic Motor Mounting Plate
3.	710-3067	Hex Cap Screw, 1/2-13 x 1.75	18.	710-0528	Hex Cap Screw, 5/16-18 x 1.25
4.	710-3085	Hex Cap Screw, 3/8-16 x 3.5	19.	711-1418	Tine Shaft
5.	712-3000	Hex Lock Nut, 3/8-16	20.	712-3009	Hex Lock Nut, 5/16-18
6.	712-3022	Hex Lock Nut, 1/2-13	21.	712-3010	Hex Nut, 5/16-18
7.	712-3054	Hex Lock Nut, 3/8-24	22.	736-0119	Lock Washer, 5/16
8.	718-0659	Eaton Hydraulic Motor	23.	741-0723	Flange Bearing, 1.0
9.	719-0552	Hydraulic Motor Mounting Spacer	24.	786-0242	Dust Cap Cover
10.	721-0513	O Ring Seal	25.	786-0262	Bearing Cover
11.	736-0217	Lock Washer, 3/8	26.	686-0148	Tine Adapter Assembly
12.	736-0921	Lock Washer, 1/2	27.	736-0208	Flat Washer, .51 x 1.5 x .07
13.	736-3004	Flat Washer, .406 x .875 x .105	28.	736-0253	Belleville Washer
14.	786-0290	Articulating Tine	29.	738-1138	Shoulder Screw, .49 x .21, 3/8-24
15.	737-0342	45° Hydraulic Adapter, 7/8	30.	738-1139	Shoulder Screw, .49 x .34, 3/8-24

Model 825



Hydraulic Pump and Undercarriage Assembly

Ref. No.	Part No.	Description
1.	683-0309	Hydraulic Pump Bracket Ass'y
2.	710-0216	Hex Cap Screw, 3/8-16 x .75
3.	710-3005	Hex Cap Screw, 3/8-16 x 1.25
4.	710-3029	Hex Cap Screw, 7/16-20 x 1.25
5.	711-1000	Belt Keeper Pin
6.	711-1421	Clevis Pin, 3/8 x .75
7.	712-0239	Hex Lock Nut, 1/2-20
8.	712-0291	Hex Lock Nut, 1/4-20
9.	712-0431	Hex Lock Nut, 3/8-16
10.	712-3067	Hex Lock Nut, 7/16-20
11.	714-0145	Click Pin, .092 x 1.64
12.	718-0545	<i>Eaton</i> Hydraulic Pump
13.	727-0220	90° Hydraulic Adapter, 7/8
14.	727-0628	Hydraulic Hose, 1.0625-12 x 54
15.	727-0629	Hydraulic Hose, .875-14 x 49
16.	732-0990	Belt Guard
17.	736-0275	Flat Washer, .344 x .688 x .065
18.	736-3027	Flat Washer, .531 x 1.75 x .090
19.	737-0309	90° Hydraulic Adapter, 1-1/16
20.	754-0341	V-belt (For Manual PTO Tractors)
20.	754-0490	V-belt (For Electric PTO Tractors)
21.	756-0478	Idler Pulley, 5/8 x 4.0
22.	756-1178	Drive Pulley, 10.0
23.	786-0283	Pump Mounting Bracket
24.	711-0332	Clevis Pin, .5 x .78
25.	736-3019	Flat Washer, .531 x 1.062 x .134
26.	747-1186	Weight Guard Rod
27.	759-3389	45 lb. Suitcase Weight
28.	783-0870	Weight Bracket