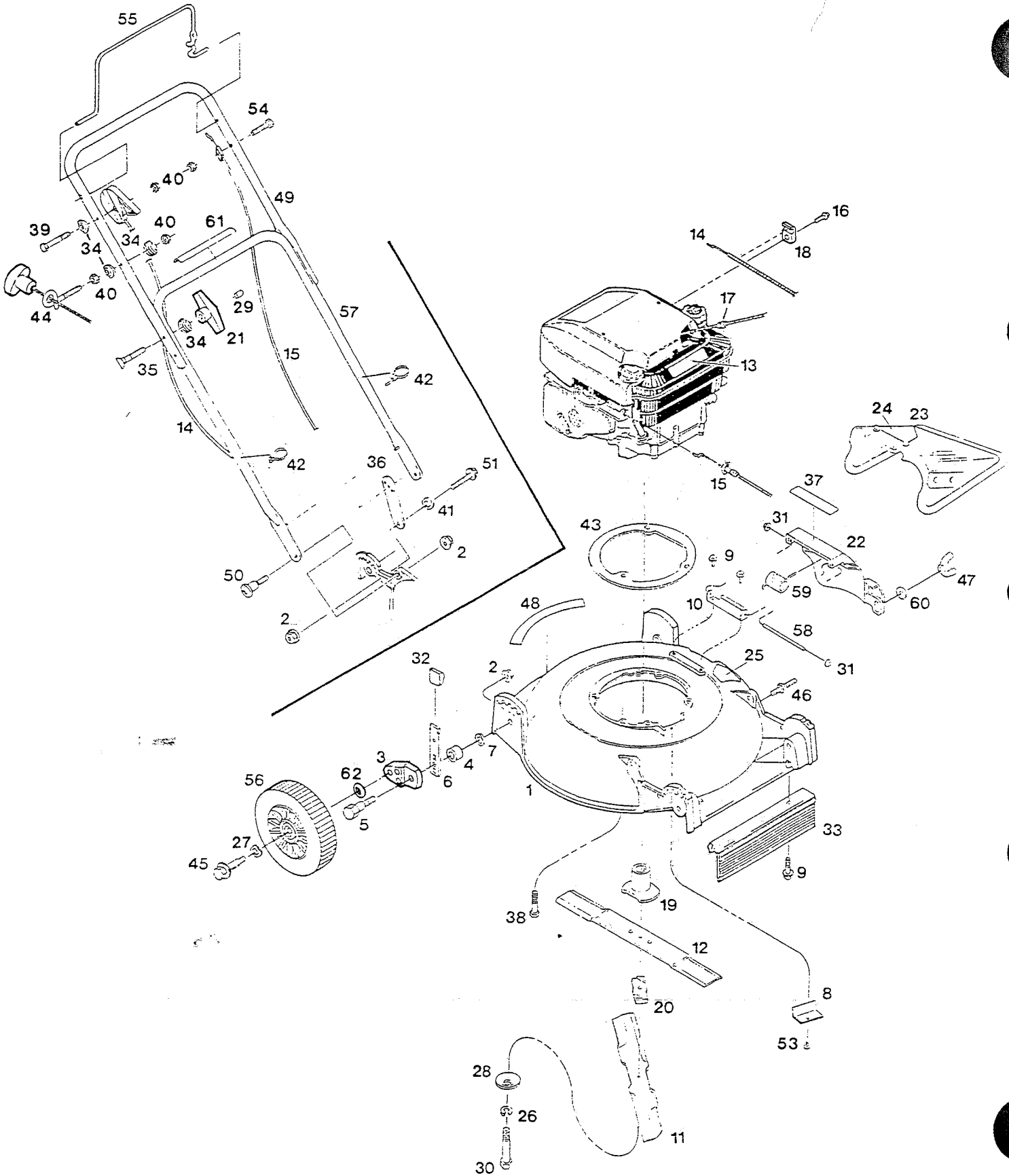


MODEL: RCM20/5-N



S/N 239047
P/L 082874
O/M 082873

INDEX NO.	PART NO.	DESCRIPTION	INDEX NO.	PART NO.	DESCRIPTION
1	023799	Deck - 20"	32	579717	Plastic tip - height adjuster
2	159236	Nut - 5/16" flg. lock	33	115495	Trailing shield - plastic
3	023895	Wheel arm	34	150201	Washer - 5/16" curved
4	581274	Spacer - wheel	35	151936	Bolt - curved hd 5/16-18 x 2-1/4
5	166730	Bolt - shldr 5/16-18 x 1-5/8"	36	095176	Handle support
6	588452	Setting lever assembly L.H.	37	799505	Decal - mulch cover danger
	588451	Setting lever assembly R.H.	38	382881	Bolt - 3/8-16 x 1-3/4" HHCS Gr. 5
7	715185	Washer - flat 5/16"	39	588161	Bolt - hex 1/4-20 x 2
8	589328	Cover - belt	40	715037	Nut - 1/4-20 keps
9	583021	Screw - 1/4-20 x 3/4" hex tap	41	583302	Washer - wave
10	095003	Bracket - hinge	42	587059	Cable tie
11	031420	Blade - 20"	43	023883	Engine ring
12	031421	Blade - recut 20"	44	152371	Eyebolt - rope guide
13	009415	Decal - blade warning	45	382888	Bolt - wheel
14	053104	Control - throttle w/cable	46	587992	Stud - 1/4-20 x 3/4"
15	053083	Cable - engine/blade control	47	587998	Nut - 1/4-20 wing
16	166640	Screw - #10-16 x 5/8" tap	48	799843	Decal - logo 20"
17	152074	Rope stop	49	588434	Handle - upper
18	157552	Cable clamp	50	588491	Bolt - shldr 5/16-18 x 1-1/4"
19	095217	Adapter - blade with key	51	588499	Bolt - shldr 5/16-18 x 5/8"
20	094911	Spacer - blade	53	158089	Screw - hex tap 1/4-20 x 1/2"
21	115540	Wing nut - plastic w/nut	54	588519	Screw - 1/4-20 x 1-1/2" truss hd.
22	115329	Cover - mulch 20"	55	588612	Bail - engine/blade control
23	115360	Chute deflector assembly	56	043202	Wheel - 8"
24	144063	Decal - DANGER	57	588807	Handle - lower
25	143115	Decal - CPSC danger	58	604081	Hinge rod
26	156919	Washer - 3/8" lock H.D.	59	604082	Spring - mulch cover
27	152314	Washer - wave	60	615690	Washer - 1/4" flat
28	164681	Washer - 3/8" conical	61	799599	Decal - starting instructions
29	110064	Cap - bolt end	62	715607	Washer - Bellville
30	382846	Bolt - 3/8-24 x 3-1/2" HHCS Gr. 8	--	232041	Kit - grass catcher (optional)
31	452128	Nut - 1/4 push-on			

Contact engine manufacturer's authorized service dealer for parts and warranty.

WARNING DO NOT OPERATE YOUR MOWER UNLESS ALL PARTS ARE ATTACHED AND IN GOOD WORKING ORDER. KEEP YOUR MOWER IN GOOD REPAIR AT ALL TIMES.

WARNING WHEN SERVICING USE ONLY GENUINE FACTORY REPLACEMENT PARTS THAT ARE SPECIFICALLY FOR YOUR PARTICULAR MODEL.

NOTE: PARTS ARE RIGHT OR LEFT HAND AS VIEWED FROM THE OPERATOR POSITION. SPECIFICATIONS SUBJECT TO CHANGE WITHOUT PRIOR NOTICE.

S/N 239047
P/L 082874
O/M 082873