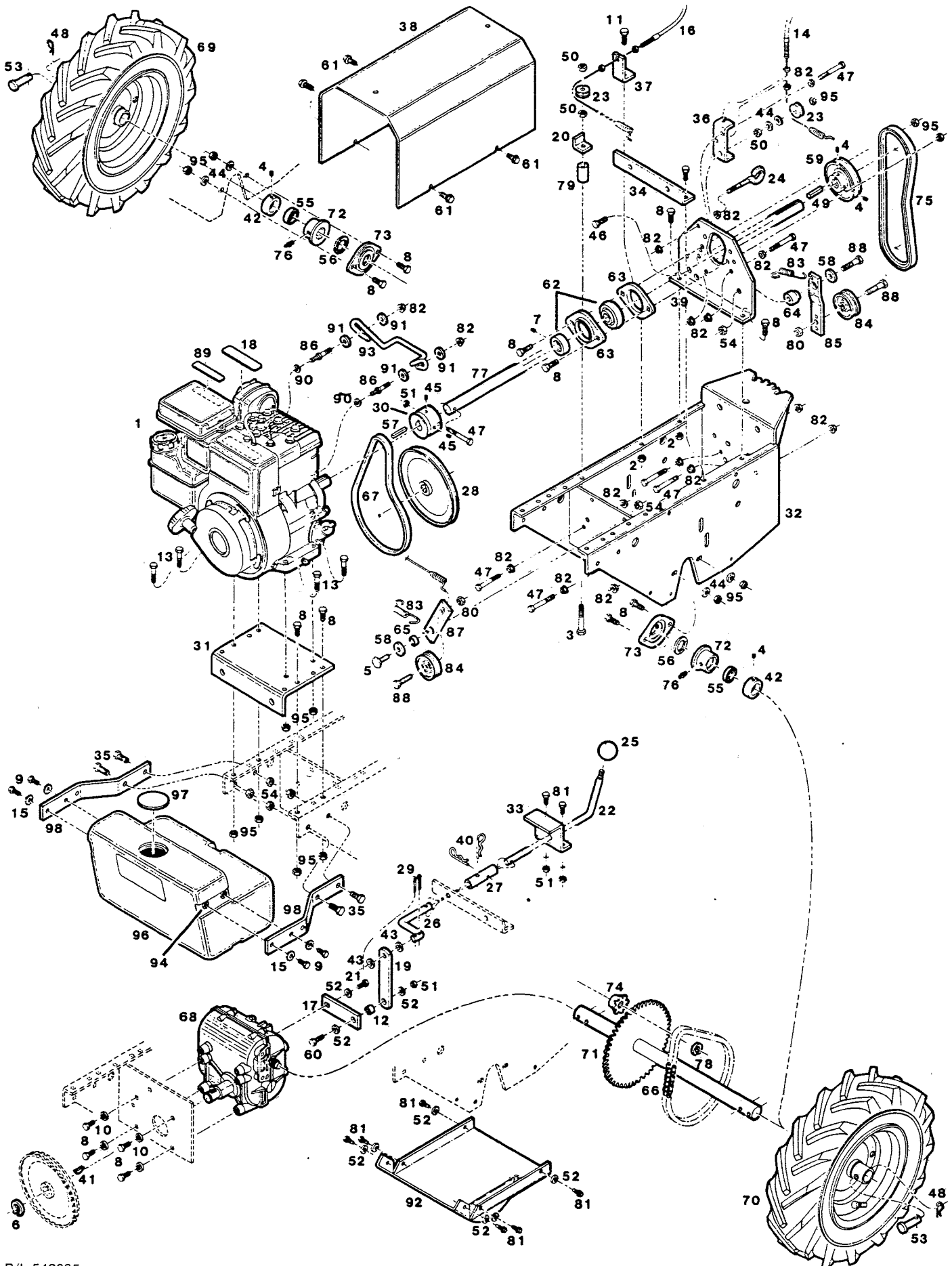


MODEL RS5LCK
5 HP Counter-Rotating Rear - Tine Tiller



**MODEL RS5LCK
5 HP Counter-Rotating Rear - Tine Tiller**

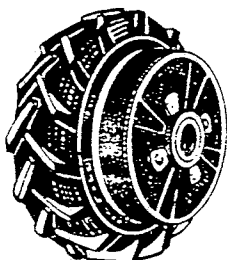
| Index No. | Part No. | Description | Index No. | Part No. | Description |
|-----------|----------|------------------------------------|-----------|----------|---|
| 1 | * | Engine - 5 H.P. | 51 | 715508 | Nut - hex lock 1/4-20 |
| 2 | 157610 | Nut - hex lock 5/16-18 flange | 52 | 615690 | Washer - flat |
| 3 | 623439 | Bolt - hex 5/16-18 x 2-1/2 | 53 | 616532 | Pin - clevis |
| 4 | 315093 | Set screw 5/16-18 x 1/4 | 54 | 715086 | Nut - hex lock 3/8-16 |
| 5 | 154369 | Bolt - hex shoulder 3/8-16 x 1-1/4 | 55 | 616565 | Seal - dust |
| 6 | 159285 | Ring - retaining | 56 | 584110 | Seal - felt ring |
| 7 | 157305 | Set screw 1/4-20 x 1/4 | 57 | 446757 | Key - square 3/16 x 1-7/8 |
| 8 | 450346 | Bolt - hex 5/16-18 x 3/4 | 58 | 616854 | Washer - flat 3/8 special |
| 9 | 159004 | Screw - hex 1/4-20 x 3/4 | 59 | 616870 | Pulley - drive, tine transmission |
| 10 | 311118 | Washer - split lock 5/16 | 60 | 158972 | Bolt - hex 1/4-20 x 1 |
| 11 | 152108 | Bolt - hex 5/16-18 x 1 | 61 | 617514 | Bolt - hex self tap 5/16-18 x 5/8 |
| 12 | 467829 | Bushing - arm | 62 | 617795 | Bearing - drive shaft |
| 13 | 460311 | Bolt - hex 5/16-18 x 1-3/4 | 63 | 617811 | Flange - bearing retainer |
| 14 | 530493 | Cable - engaging, tine drive | 64 | 617878 | Bushing - pilot, idler arm |
| 15 | 461715 | Washer - ext. tooth lock | 65 | 617886 | Bushing - idler arm |
| 16 | 530501 | Cable - engaging, ground drive | 66 | 584086 | Chain - drive 53 links |
| 17 | 558189 | Lever - shift, on transmission | 67 | 584128 | Belt - wheel drive |
| 18 | 551713 | Decal - Place Free Hand Here | 68 | 171447** | Transmission - wheel drive (Tecumseh/Peerless Model 700-033) |
| 19 | 558171 | Link - shifter | 69 | 622118 | Wheel - drive, w/tire RH |
| 20 | 555318 | Bracket - angle | 70 | 622126 | Wheel - drive, w/tire LH |
| 21 | 616144 | Bolt - hex 1/4-28 x 1/2 | 71 | 099044 | Axle - drive wheels w/sprocket |
| 22 | 098897 | Lever - shift | 72 | 584227 | Bearing - axle |
| 23 | 112177 | Roller - cable | 73 | 558023 | Flange - bearing retainer |
| 24 | 555359 | Guide - cable | 74 | 620021 | Sprocket - axle drive |
| 25 | 616359 | Knob - shift lever | 75 | 584367 | Belt - tine drive |
| 26 | 557512 | Rod - shift | 76 | 624890 | Fitting - lubrication |
| 27 | 557520 | Connector - shift rod/lever | 77 | 623181 | Shaft - drive, tiller tines |
| 28 | 098863 | Pulley - wheel drive transmission | 78 | 620807 | Ring - retaining |
| 29 | 317016 | Pin - cotter | 79 | 156489 | Spacer |
| 30 | 098871 | Pulley - drive, on engine | 80 | 624908 | Nut - hex lock 3/8-16 |
| 31 | 014639 | Plate - engine mount | 81 | 158089 | Screw - hex self tap 1/4-20 x 1/2 |
| 32 | 575332 | Frame - chassis | 82 | 715078 | Nut - hex 1/4-20 whiz flange |
| 33 | 558247 | Guide - shift lever | 83 | 584383 | Spring - idler |
| 34 | 558163 | Bracket - shift rod | 84 | 170530 | Pulley - idler |
| 35 | 715326 | Bolt - hex 3/8-16 x 1 | 85 | 557579 | Arm - tine idler |
| 36 | 558148 | Support - cable | 86 | 156885 | Stud - belt keeper |
| 37 | 558155 | Bracket - cable | 87 | 558254 | Arm - drive idler |
| 38 | 014647 | Cover - belts and pulleys | 88 | 159020 | Bolt - hex 3/8-16 x 1-1/2 |
| 39 | 575670 | Support - rear bearing | 89 | 551846 | Decal - CAUTION Disengage |
| 40 | 317040 | Hairpin cotter | 90 | 715094 | Washer - split lock 1/4 |
| 41 | 615534 | Key - woodruff #9 | 91 | 158956 | Washer - flat 1/4 |
| 42 | 557447 | Collar - axle | 92 | 552836 | Shield - dirt |
| 43 | 159921 | Washer - flat | 93 | 557298 | Keeper - belt, engine |
| 44 | 715185 | Washer - flat 5/16 | 94 | 380238 | Nut - insert 1/4-20 |
| 45 | 159608 | Set screw 5/16-18 x 7/16 | 95 | 715490 | Nut - hex top lock 5/16-18 |
| 46 | 380402 | Bolt - hex 5/16-18 x 1-1/2 | 96 | 584409 | Tank - front weight |
| 47 | 616094 | Bolt - hex 1/4-20 x 2-1/2 | 97 | 584417 | Cap - weight tank |
| 48 | 715011 | Hairpin cotter | 98 | 575340 | Bracket - weight tank |
| 49 | 616276 | Key - square 3/16 x 1-3/8 | | | |
| 50 | 616342 | Nut - hex lock 5/16-18 | | | |

*Contact engine manufacturer's authorized service dealer for parts and warranty.

**Contact Tecumseh/Peerless authorized service dealer or distributor for parts and warranty.

Optional Accessory

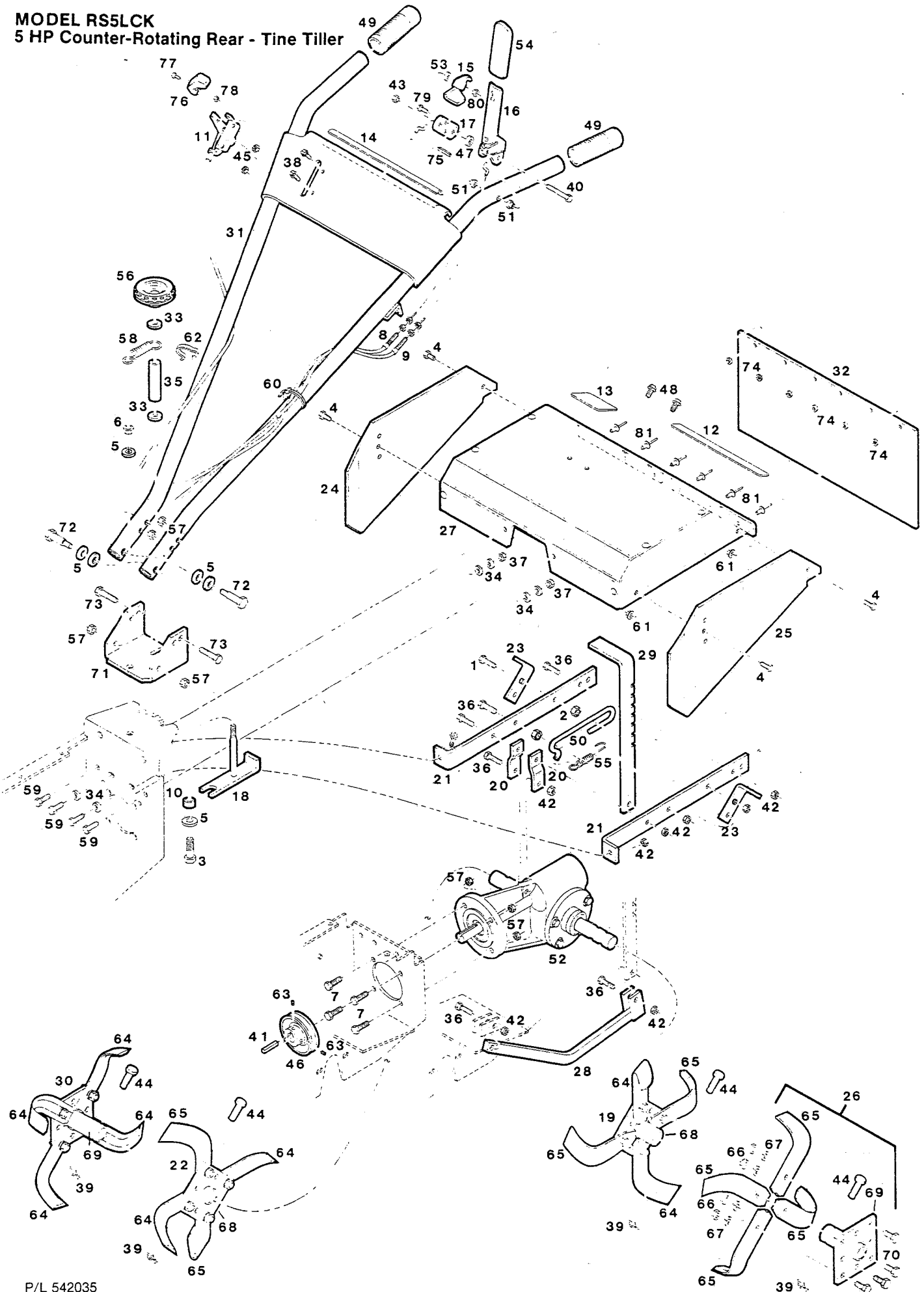
| Model No. | Part No. | Description |
|-----------|----------|----------------------------|
| RSWW | 522136 | 2 Pak Tiller Wheel Weights |



*Contact engine manufacturer's authorized service dealer for parts and warranty.

- When servicing use only **Genuine Factory Replacement Parts (OEM)** that are specifically designed for the particular model that you are working with.
- Parts are right or left hand as viewed from the operator's position.
- Model specifications are subject to change without prior notice.
- **Do not operate** the tiller unless all parts are attached and in good working order.
- Tiller tine cover, handle and/or other painted parts differing only in color may be substituted without notice.

MODEL RS5LCK
5 HP Counter-Rotating Rear - Tine Tiller

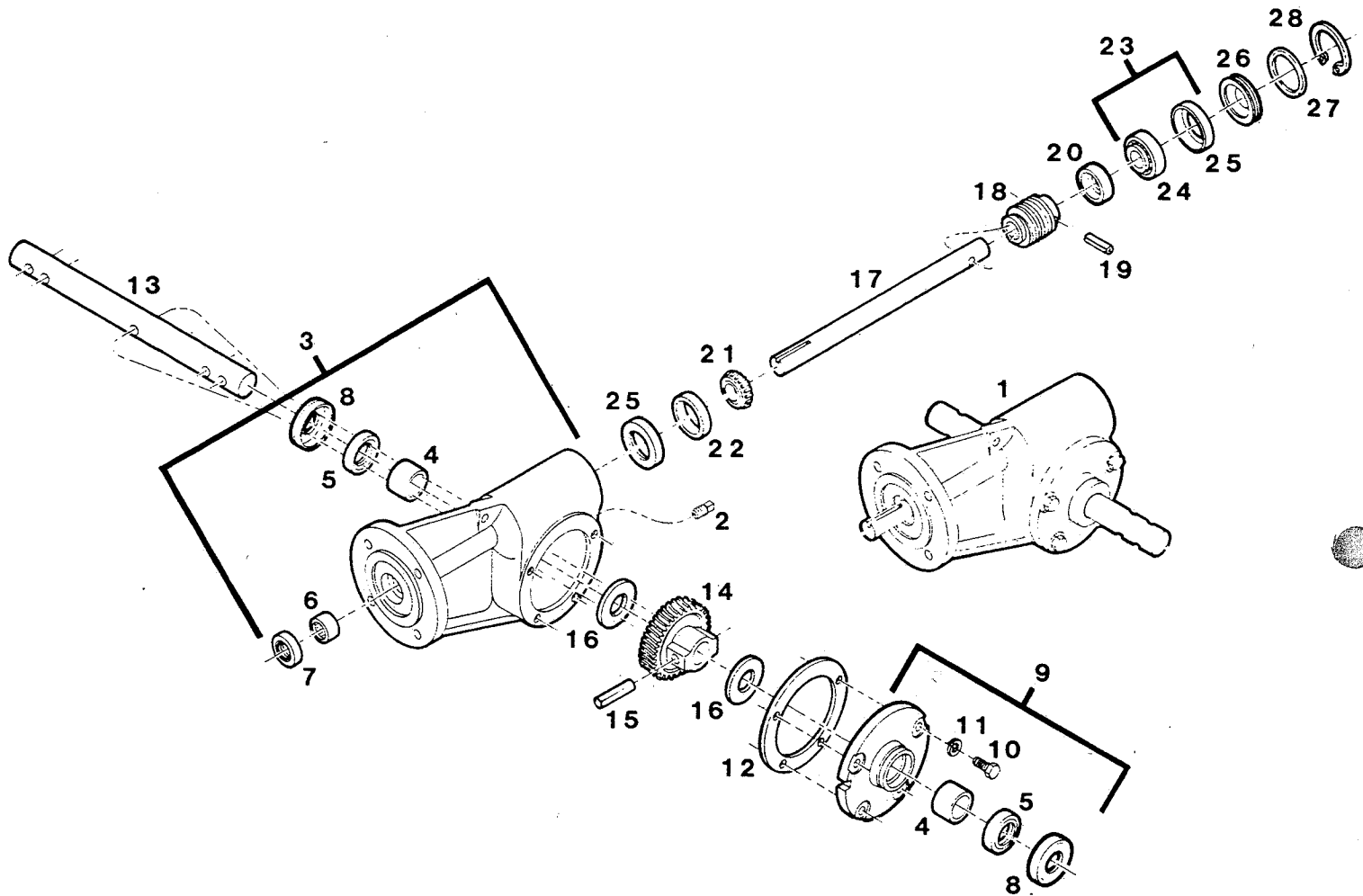


P/L 542035
 S/N 522193

| Index No. | Part No. | Description | Index No. | Part No. | Description |
|-----------|----------|-----------------------------------|-----------|----------|--------------------------------|
| 1 | 150250 | Bolt - hex 5/16-18 x 1-1/2 | 42 | 616342 | Nut - hex lock 5/16-18 |
| 2 | 310003 | Nut - hex 1/2-13 | 43 | 715508 | Nut - hex lock 1/4-20 |
| 3 | 615922 | Bolt - hex 1/2-13 x 1-3/4 | 44 | 616532 | Pin - clevis |
| 4 | 158089 | Screw - hex self tap 1/4-20 x 1/2 | 45 | 452318. | Nut - hex lock #10-24 |
| 5 | 156075 | Washer - flat 1/2 | 46 | 616870 | Pulley - tine transmission |
| 6 | 616581 | Nut - hex lock 1/2-13 | 47 | 156182 | Washer - plastic |
| 7 | 457176 | Bolt - hex 3/8-16 x 1-1/4 | 48 | 617514 | Screw - tapping 5/16-18 x 5/8 |
| 8 | 530493 | Cable - engaging, tine drive | 49 | 619221 | Grip - handle |
| 9 | 530501 | Cable - engaging, ground drive | 50 | 620310 | Pusher - depth bar |
| 10 | 617787 | Spacer - latch | 51 | 584375 | Bushing - nylon |
| 11 | 530485 | Control - throttle w/cable | 52 | 592030 | Transmission - tine drive |
| 12 | 551648 | Decal - CAUTION | 53 | 154120 | Washer - nylon |
| 13 | 551655 | Decal - WARNING | 54 | 622662 | Cover - clutch lever |
| 14 | 552885 | Decal - Grd Drive, Tine | 55 | 584383 | Spring - depth bar |
| 15 | 558064 | Catch - tine clutch arm | 56 | 620195 | Knob - handle lock |
| 16 | 558049 | Lever - clutch, ground drive | 57 | 715086 | Nut - hex lock 3/8-16 |
| 17 | 558080 | Arm - clutch, tine drive | 58 | 620203 | Spring - pull bar |
| 18 | 555615 | Pull Bar - handle latch | 59 | 152108 | Bolt - hex 5/16-18 x 1 |
| 19 | 575654 | Tine Assembly - LH inner | 60 | 621672 | Tie - cable |
| 20 | 558098 | Bracket - transmission | 61 | 715078 | Nut - hex lock 1/4-20 whiz |
| 21 | 571372 | Support - dirt shield | 62 | 621003 | Clip - throttle cable |
| 22 | 575662 | Tine Assembly - RH inner | 63 | 315093 | Set screw 5/16-18 x 1/4 |
| 23 | 558106 | Bracket - dirt shield | 64 | 574756 | Tine - 13" RH |
| 24 | 571984 | Plate - side RH | 65 | 574764 | Tine - 13" LH |
| 25 | 571992 | Plate - side LH | 66 | 615633 | Nut - hex 3/8-24 |
| 26 | 575647 | Tine Assembly - LH outer | 67 | 150185 | Washer - split lock 3/8 |
| 27 | 575357 | Shield - dirt w/end plates | 68 | 575969 | Hub - tines, short |
| 28 | 571679 | Bar - skid | 69 | 575977 | Hub - tines, long |
| 29 | 575704 | Bar - depth | 70 | 624940 | Bolt - hex 3/8-24 x 1 GR5 |
| 30 | 575639 | Tine Assembly - RH outer | 71 | 575696 | Bracket - handlebar |
| 31 | 575688 | Handlebar Assembly | 72 | 157495 | Bolt - shoulder 3/8-16 x 2-1/8 |
| 32 | 584359 | Flap - dirt | 73 | 312355 | Bolt - hex 3/8-16 x 2 |
| 33 | 715417 | Washer - flat 3/8 | 74 | 715136 | Washer - flat |
| 34 | 715185 | Washer - flat 5/16 | 75 | 380477 | Pin - roll |
| 35 | 620187 | Spacer - pull bar pin | 76 | 112730 | Knob - throttle control |
| 36 | 615831 | Bolt - hex 5/16-18 x 1-1/4 | 77 | 159335 | Screw - phillips #8-32 x 3/8 |
| 37 | 157610 | Nut - hex lock 5/16-18 flange | 78 | 159244 | Nut - hex #8-32 |
| 38 | 150326 | Screw - hex #10-24 x 1/2 | 79 | 155366 | Screw - hex #10-24 x 5/8 |
| 39 | 584391 | Pin - retainer | 80 | 452318 | Nut - hex #10-24 |
| 40 | 615781 | Bolt - hex 1/4-20 x 2-1/4 | 81 | 764225 | Pop rivet |
| 41 | 616276 | Key - square 3/16 x 1-3/8 | | | |

- *Contact engine manufacturer's authorized service dealer for parts and warranty.
- When servicing use only **Genuine Factory Replacement Parts (OEM)** that are specifically designed for the particular model that you are working with
- Parts are right or left hand as viewed from the operator's position
- Model specifications are subject to change without prior notice.
- **Do not operate** the tiller unless all parts are attached and in good working order.
- Tiller tine cover, handle and/or other painted parts differing only in color may be substituted without notice

MODEL RS5LCK
5 HP Counter-Rotating Rear - Tine Tiller



**MODEL RS5LCK
5 HP Counter-Rotating Rear - Tine Tiller**

TINE DRIVE TRANSMISSION

| Index No. | Part No. | Description | Index No. | Part No. | Description |
|-----------|----------|---|-----------|----------|---|
| 1 | 592030 | Transmission Assembly - tine drive | 14 | 619536 | Gear - worm |
| 2 | 615500 | Plug - pipe | 15 | 616466 | Pin - drive lok 3/8 x 2 |
| | 616912 | Plug - breather | 16 | 616417 | Washer - thrust |
| 3 | 592154 | Case - transmission w/brngs & seals includes one each of 4,5,6,7 and 8 | 17 | 617084 | Shaft - worm |
| 4 | 617241 | Bearing - needle | 18 | 624262 | Worm - drive |
| 5 | 616391 | Seal - oil, double | 19 | 155515 | Pin - spirol 1/4 x 1-1/8 |
| 6 | 616524 | Bearing - needle | 20 | 623504 | Collar - pin retainer |
| 7 | 616383 | Seal - oil | 21 | 617530 | Cone - bearing |
| 8 | 762245 | Cover - axle seal | 22 | 617548 | Cup - bearing |
| 9 | 592162 | Cover - side w/brng & seals includes one each of 4,5 and 8 | 23 | 620898 | Bearing - ball, with sleeve includes next two parts: |
| 10 | 617019 | Bolt - hex 5/16-18 x 7/8 | 24 | 620880 | Bearing - ball |
| 11 | 311118 | Washer - split lock 5/16 | 25 | 617522 | Sleeve - bearing |
| 12 | 616755 | Gasket - cover | 26 | 616433 | Plug - seal |
| 13 | 617845 | Axle - tine | 27 | 616441 | O-ring |
| | | | 28 | 616425 | Ring - retaining |

- *Contact engine manufacturer's authorized service dealer for parts and warranty.
- When servicing use only **Genuine Factory Replacement Parts (OEM)** that are specifically designed for the particular model that you are working with
- Parts are right or left hand as viewed from the operator's position.
- Model specifications are subject to change without prior notice.
- **Do not operate** the tiller unless all parts are attached and in good working order.
- Tiller tine cover, handle and/or other painted parts differing only in color may be substituted without notice