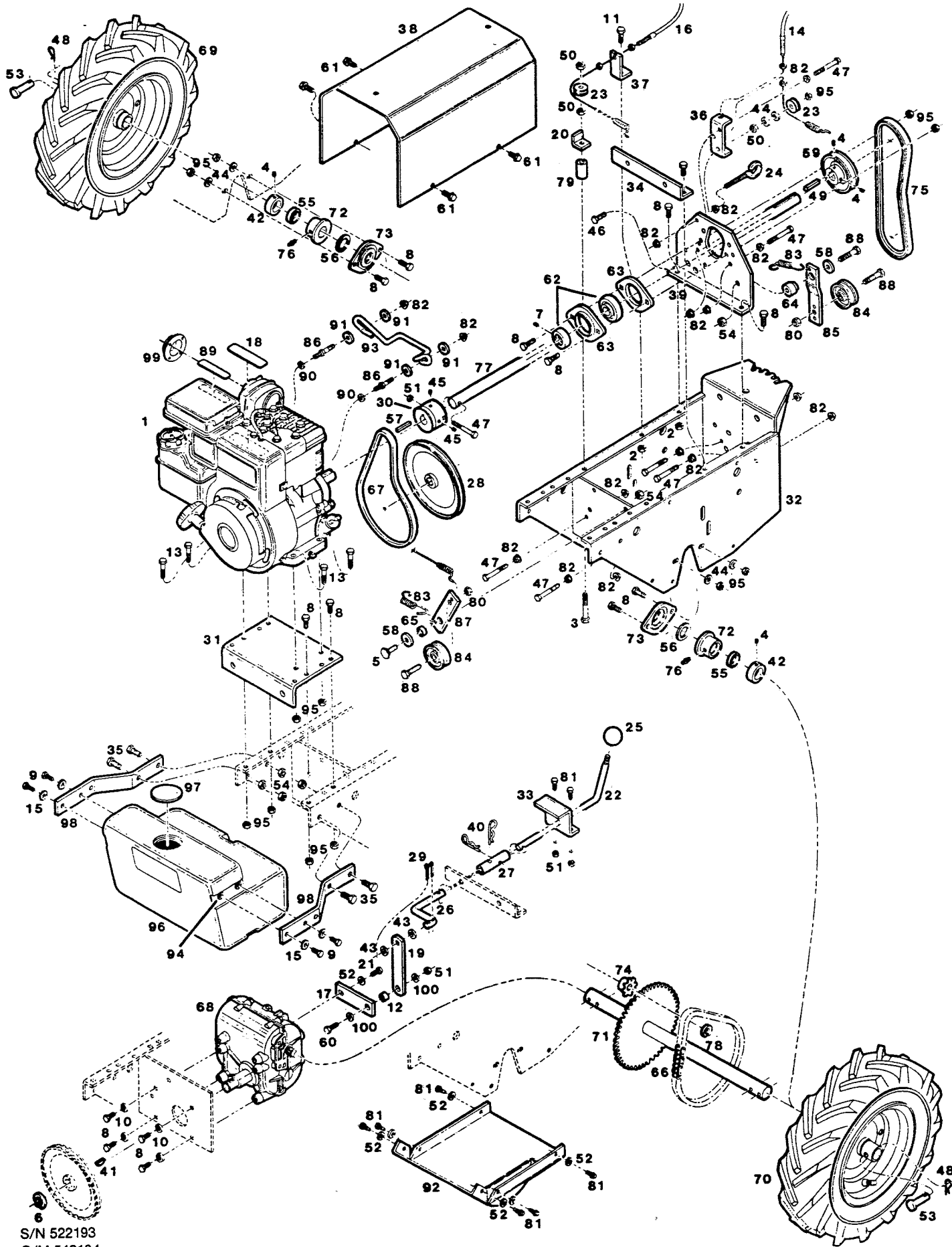


**MODEL RS5LCL**  
**5 HP Counter-Rotating Rear-Tine Tiller**



S/N 522193  
 O/M 542134  
 E/M 082073  
 P/B 554592

**MODEL RS5LCL  
5 HP Counter-Rotating Rear-Tine Tiller**

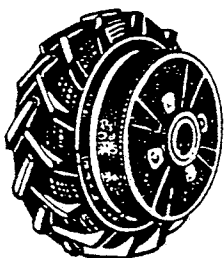
Index No.	Part No.	Description	Index No.	Part No.	Description
1		Engine - 5 H.P.	51	715508	Nut - hex lock 1/4-20
2	157610	Nut - hex lock 5/16-18 flange	52	615690	Washer - flat 1/4
3	623439	Bolt - hex 5/16-18 x 2-1/2	53	616532	Pin - clevis
4	315093	Set screw 5/16-18 x 1/4	54	715086	Nut - hex lock 3/8-16
5	154369	Bolt - hex shoulder 3/8-16 x 1-1/4	55	616565	Seal - dust
6	170035	Ring - retaining	56	584110	Seal - felt ring
7	157305	Set screw 1/4-20 x 1/4	57	446757	Key - square 3/16 x 1-7/8
8	450346	Bolt - hex 5/16-18 x 3/4	58	616854	Washer - flat 3/8 special
9	159004	Screw - hex 1/4-20 x 3/4	59	616870	Pulley - drive, tine transmission
10	311118	Washer - split lock 5/16	60	158972	Bolt - hex 1/4-20 x 1
11	152108	Bolt - hex 5/16-18 x 1	61	617514	Bolt - hex self tap 5/16-18 x 5/8
12	467829	Bushing - arm	62	617795	Bearing - drive shaft
13	460311	Bolt - hex 5/16-18 x 1-3/4	63	617811	Flange - bearing retainer
14	530493	Cable - engaging, tine drive	64	617878	Bushing - pilot, idler arm
15	461715	Washer - ext. tooth lock	65	617886	Bushing - idler arm
16	530501	Cable - engaging, ground drive	66	584086	Chain - drive 53 links
17	558189	Lever - shift, on transmission	67	584128	Belt - wheel drive
18	402016	Decal - Place Free Hand Here	68	171447**	Transmission - wheel drive (Tecumseh/Peerless Model 700-033)
19	558171	Link - shifter	69	558858	Wheel - drive, w/tire RH
20	555318	Bracket - angle	70	558866	Wheel - drive, w/tire LH
21	616144	Bolt - hex 1/4-28 x 1/2	71	099044	Axle - drive wheels w/sprocket
22	098897	Lever - shift	72	584227	Bearing - axle
23	112177	Roller - cable	73	558023	Flange - bearing retainer
24	555359	Guide - cable	74	620021	Sprocket - axle drive
25	616359	Knob - shift lever	75	584367	Belt - tine drive
26	557512	Rod - shift	76	624890	Fitting - lubrication
27	557520	Connector - shift rod/lever	77	623181	Shaft - drive, tiller tines
28	098863	Pulley - wheel drive transmission	78	620807	Ring - retaining
29	317016	Pin - cotter	79	156489	Spacer
30	584698	Pulley - drive, on engine	80	624908	Nut - hex lock 3/8-16
31	014639	Plate - engine mount	81	158089	Screw - hex self tap 1/4-20 x 1/2
32	576330	Frame - chassis	82	715078	Nut - hex 1/4-20 whiz flange
33	558247	Guide - shift lever	83	584383	Spring - idler
34	558163	Bracket - shift rod	84	170530	Pulley - idler
35	715326	Bolt - hex 3/8-16 x 1	85	557579	Arm - tine idler
36	558148	Support - cable	86	156885	Stud - belt keeper
37	558155	Bracket - cable	87	558254	Arm - drive idler
38	014647	Cover - belts and pulleys	88	159020	Bolt - hex 3/8-16 x 1-1/2
39	575670	Support - rear bearing	89	551846	Decal - CAUTION Disengage
40	317040	Hairpin cotter	90	715094	Washer - split lock 1/4
41	615534	Key - woodruff #9	91	158956	Washer - flat 1/4
42	557447	Collar - axle	92	552836	Shield - dirt
43	159921	Washer - flat	93	557298	Keeper - belt, engine
44	715185	Washer - flat 5/16	94	403337	Insert - threaded 1/4-20
45	159608	Set screw 5/16-18 x 7/16	95	715490	Nut - hex top lock 5/16-18
46	380402	Bolt - hex 5/16-18 x 1-1/2	96	592543	Tank - front weight
47	616094	Bolt - hex 1/4-20 x 2-1/2	97	584417	Cap - weight tank
48	715011	Hairpin cotter	98	575340	Bracket - weight tank
49	382184	Key - square 3/16 x 1-3/8	99	402636	Deflector - muffler
50	616342	Nut - hex lock 5/16-18	100	164541	Washer - flat 1/4

\*Contact engine manufacturer's authorized service dealer for parts and warranty.

\*\*Contact Tecumseh/Peerless authorized service dealer or distributor for parts and warranty.

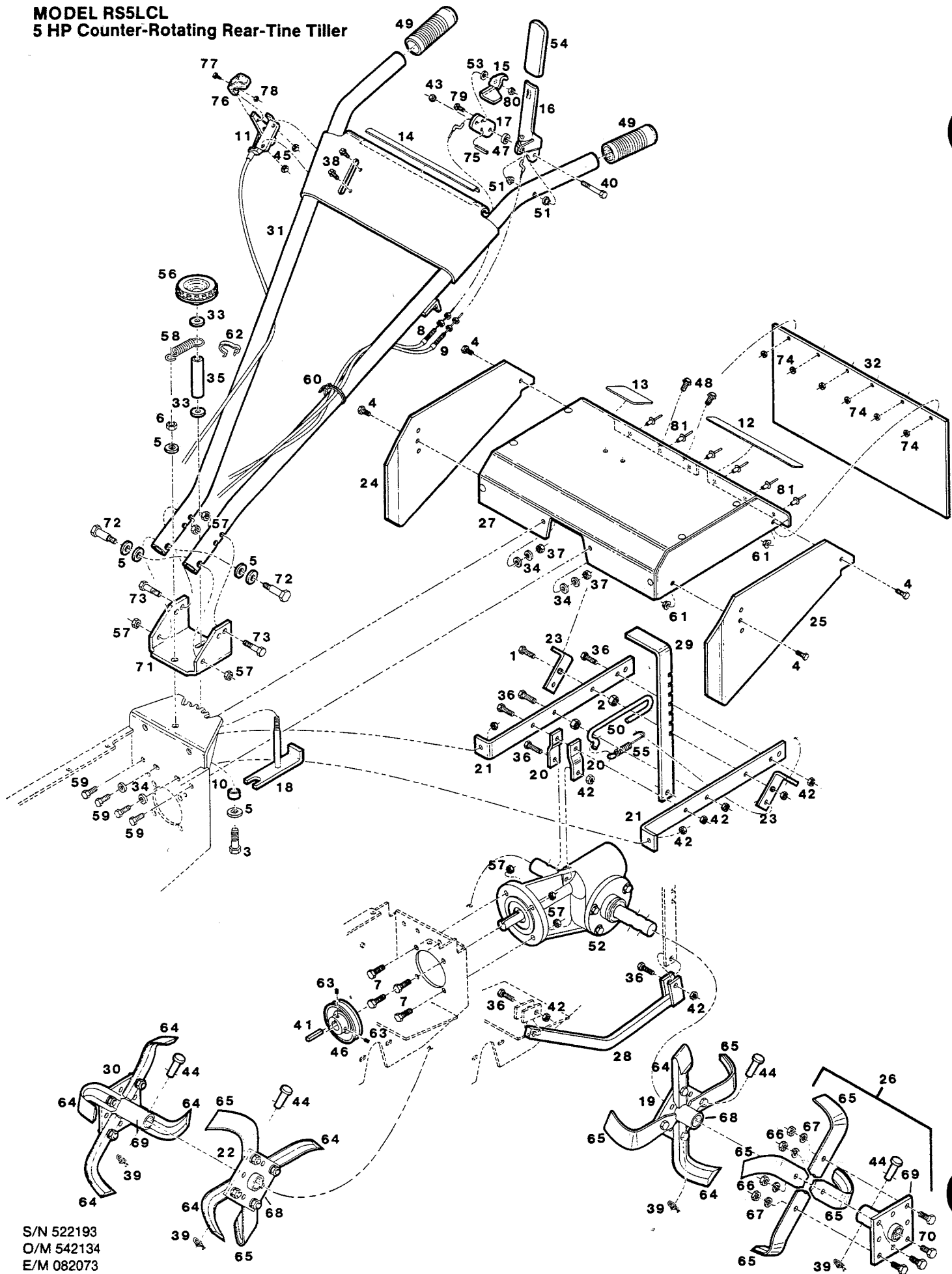
**Optional Accessory**

Model No.	Part No.	Description
RSWW	522136	2 Pak Tiller Wheel Weights



S/N 522193  
O/M 542134  
E/M 082073  
P/B 554592

**MODEL RS5LCL  
5 HP Counter-Rotating Rear-Tine Tiller**

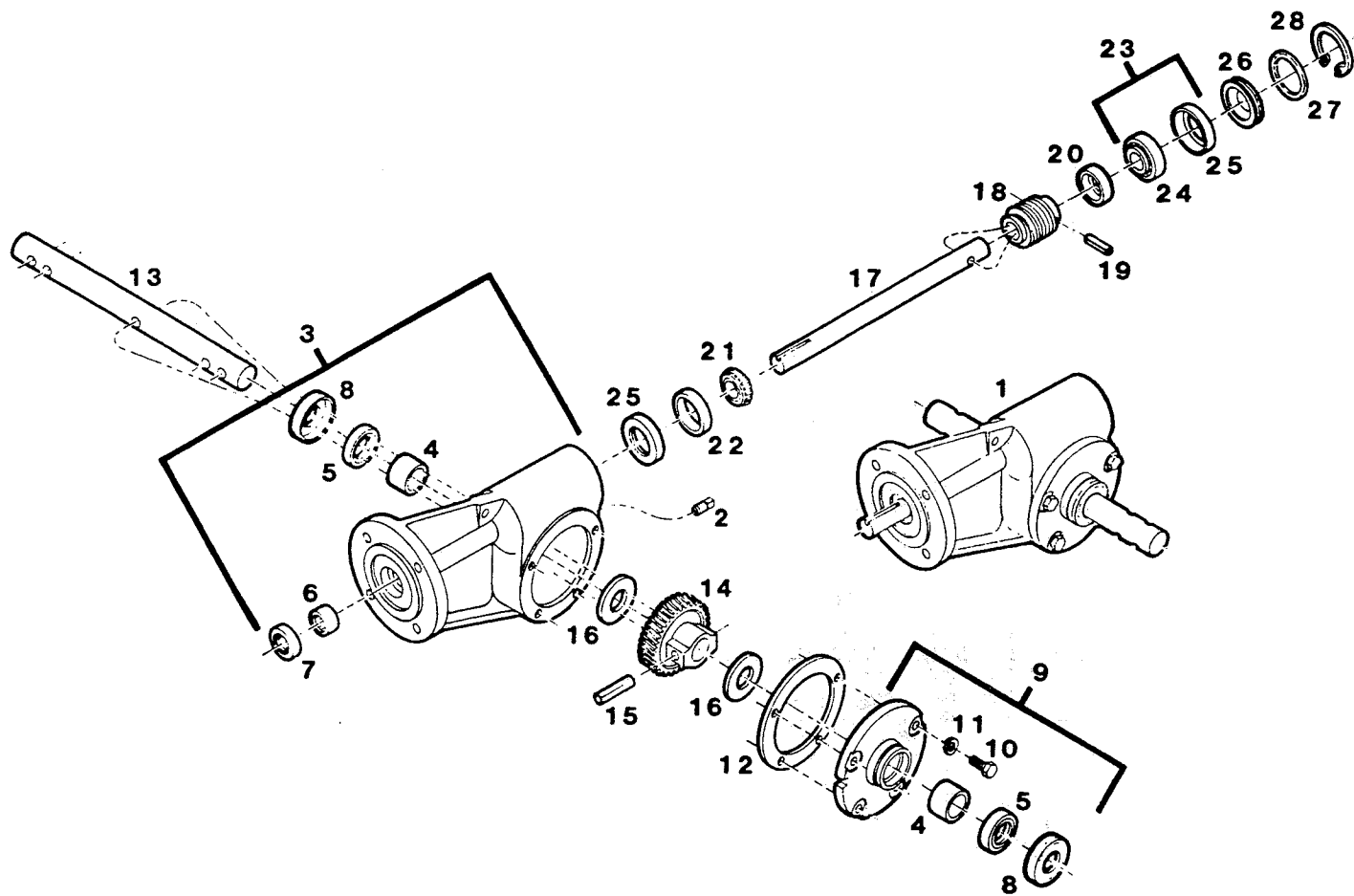


S/N 522193  
O/M 542134  
E/M 082073  
P/B 554592

**MODEL RS5LCL  
5 HP Counter-Rotating Rear-Tine Tiller**

Index No.	Part No.	Description	Index No.	Part No.	Description
1	150250	Bolt - hex 5/16-18 x 1-1/2	42	616342	Nut - hex lock 5/16-18
2	310003	Nut - hex 1/2-13	43	715508	Nut - hex lock 1/4-20
3	615922	Bolt - hex 1/2-13 x 1-3/4	44	616532	Pin - clevis
4	158089	Screw - hex self tap 1/4-20 x 1/2	45	452318	Nut - hex lock #10-24
5	156075	Washer - flat 1/2	46	616870	Pulley - tine transmission
6	157537	Nut - hex lock 1/2-13	47	156182	Washer - plastic
7	457176	Bolt - hex 3/8-16 x 1-1/4	48	617514	Screw - tapping 5/16-18 x 5/8
8	530493	Cable - engaging, tine drive	49	619221	Grip - handle
9	530501	Cable - engaging, ground drive	50	620310	Pusher - depth bar
10	617787	Spacer - latch	51	584375	Bushing - nylon
11	530485	Control - throttle w/cable	52	592030	Transmission - tine drive
12	551648	Decal - CAUTION	53	154120	Washer - nylon
13	551655	Decal - WARNING	54	622662	Cover - clutch lever
14	552885	Decal - Grd Drive, Tine	55	584383	Spring - depth bar
15	558064	Catch - tine clutch arm	56	620195	Knob - handle lock
16	558049	Lever - clutch, ground drive	57	715086	Nut - hex lock 3/8-16
17	558080	Arm - clutch, tine drive	58	620203	Spring - pull bar
18	555615	Pull Bar - handle latch	59	152108	Bolt - hex 5/16-18 x 1
19	575654	Tine Assembly - LH inner	60	621672	Tie - cable
20	558098	Bracket - transmission	61	715078	Nut - hex lock 1/4-20 whiz
21	571372	Support - dirt shield	62	621003	Clip - throttle cable
22	575662	Tine Assembly - RH inner	63	315093	Set screw 5/16-18 x 1/4
23	558106	Bracket - dirt shield	64	574756	Tine - 13" RH
24	525253	Plate - side RH	65	574764	Tine - 13" LH
25	525261	Plate - side LH	66	615633	Nut - hex 3/8-24
26	575647	Tine Assembly - LH outer	67	150185	Washer - split lock 3/8
27	575357	Shield - dirt w/end plates	68	575969	Hub - tines, short
28	571679	Bar - skid	69	575977	Hub - tines, long
29	575704	Bar - depth	70	624940	Bolt - hex 3/8-24 x 1 GR5
30	575639	Tine Assembly - RH outer	71	575696	Bracket - handlebar
31	575688	Handlebar Assembly	72	157495	Bolt - shoulder 3/8-16 x 2-1/8
32	584359	Flap - dirt	73	312355	Bolt - hex 3/8-16 x 2
33	715417	Washer - flat 3/8	74	382192	Washer - flat
34	715185	Washer - flat 5/16	75	380477	Pin - roll
35	620187	Spacer - pull bar pin	76	112730	Knob - throttle control
36	615831	Bolt - hex 5/16-18 x 1-1/4	77	159335	Screw - phillips #8-32 x 3/8
37	157610	Nut - hex lock 5/16-18 flange	78	159244	Nut - hex #8-32
38	150326	Screw - hex #10-24 x 1/2	79	155366	Screw - hex #10-24 x 5/8
39	584391	Pin - retainer	80	452318	Nut - hex #10-24
40	615781	Bolt - hex 1/4-20 x 2-1/4	81	764225	Pop rivet
41	382184	Key - square 3/16 x 1-3/8			

**MODEL RS5LCL**  
**5 HP Counter-Rotating Rear-Tine Tiller**



S/N 522193  
O/M 542134  
E/M 082073  
P/B 554592

# TINE DRIVE TRANSMISSION

Index No.	Part No.	Description	Index No.	Part No.	Description
1	592030	Transmission Assembly - tine drive	14	619536	Gear - worm
2	615500	Plug - pipe	15	616466	Pin - drive lok 3/8 x 2
	616912	Plug - breather	16	616417	Washer - thrust
3	592154	Case - transmission w/brngs & seals includes one each of 4,5,6,7 and 8	17	617084	Shaft - worm
4	617241	Bearing - needle	18	624262	Worm - drive
5	616391	Seal - oil, double	19	155515	Pin - spirol 1/4 x 1-1/8
6	616524	Bearing - needle	20	623504	Collar - pin retainer
7	616383	Seal - oil	21	617530	Cone - bearing
8	762245	Cover - axle seal	22	617548	Cup - bearing
9	592162	Cover - side w/brng & seals includes one each of 4,5 and 8	23	620898	Bearing - ball, with sleeve includes next two parts:
10	617019	Bolt - hex 5/16-18 x 7/8	24	620880	Bearing - ball
11	311118	Washer - split lock 5/16	25	617522	Sleeve - bearing
12	616755	Gasket - cover	26	616433	Plug - seal
13	617845	Axle - tine	27	616441	O-ring
			28	616425	Ring - retaining

**REGARDLESS OF THE LEVEL OF HAZARD BE CAREFUL.**

**WARNING**



**KEEP AWAY FROM ROTATING TINES. ROTATING TINES WILL CAUSE INJURY.**

Part No. 551655

**PLACE FREE HAND HERE WHEN STARTING**

Part No. 402016

**CAUTION**

**DISENGAGE DRIVE MECHANISM BEFORE STARTING ENGINE**

Part No. 551846

**CAUTION**

**TO HELP PREVENT INJURY:**

- READ OPERATOR'S MANUAL BEFORE OPERATING TILLER.
- KEEP ALL SHIELDS IN PLACE.
- KEEP HANDS, FEET AND CLOTHING AWAY FROM POWER DRIVEN PARTS.

**BEFORE SERVICING TILLER:**

- DISENGAGE POWER, SHUT OFF ENGINE AND DISCONNECT SPARK PLUG CABLE.
- MAKE SURE TINES HAVE STOPPED ROTATING.

Part No. 551648

**LEVER 1. CATCH**



**TO TILL: 1. ENGAGE CATCH INTO HOLE IN LEVER. 2. HOLD CATCH INTO LEVER WHILE MOVING LEVER DOWN.**

**TO OPERATE GROUND DRIVE WITHOUT TILLING HOLD LEVER DOWN.**



**DO NOT OPERATE TINES WITH TRANSMISSION IN REVERSE.**



Part No. 552885

S/N 522193  
O/M 542134  
E/M 082073  
P/B 554592