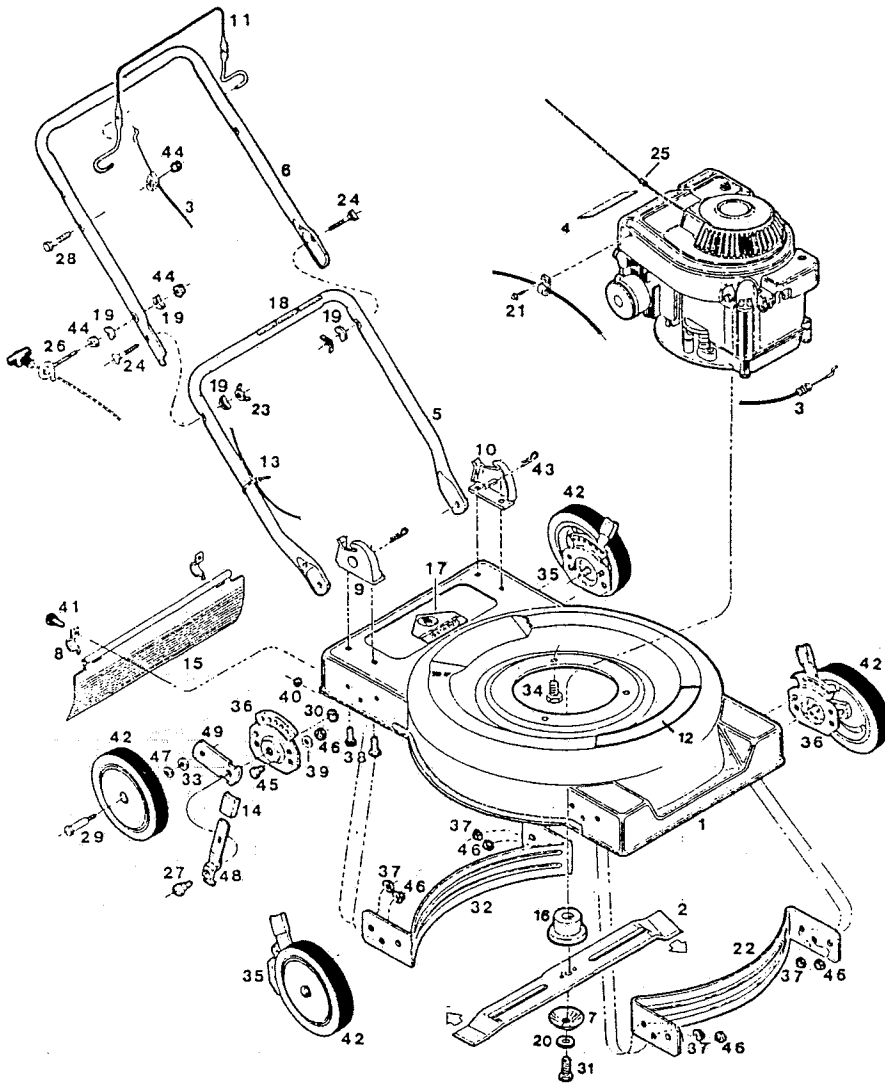


MODEL S91M
3.75 hp 20" Cut Mulcher Mower
No Grass Catcher Required



INDEX NO.	PART NO.	DESCRIPTION
1	023150	Deck - 20" Mulcher
2	030189	Blade - 20" Mulcher
3	053045	Cable - Engine/Blade Control
4	009415	Decal - Blade Warning
5	071563	Handle - Lower
6	071076	Handle - Upper
7	164681	Washer - Conical
8	106914	Clip - Trailing Shield
9	092601	Handle Bracket - R.H.
10	092619	Handle Bracket - L.H.
11	109389	Bail - Engine/Blade Control
12	799820	Decal - Servess
13	110379	Cable Tie
14	114462	Plastic Tip - Setting Lever
15	114397	Trailing Shield - Plastic
16	094933	Blade Adapter
17	143115	Decal - Danger
18	799599	Decal - Starting Instructions
19	150201	Washer - Curved 5/16
20	156877	Washer - Hardened
21	150623	Screw - Self Tap #10 x 5/8
22	092965	Baffle - Front
23	150235	Wing Nut 5/16-18
24	151928	Bolt - Curved Head 5/16-18 x 1-3/4
25	152074	Rope Stop
26	152371	Rope Guide
27	153650	Shoulder Bolt - Height Adjuster
28	150433	Bolt - 1/4-20 x 2 Hex
29	150060	Wheel Bolt
30	311340	Washer
31	157255	Bolt - Blade 3/8-24 x 1-1/4 Gr. 8
32	092973	Baffle - Rear
33	158469	Washer - Flat
34	164999	Bolt - 3/8-16 x 7/8 TDFM
35	092650	Back Plate - Height Adjuster R.H. Front L.H. Rear
36	092643	Back Plate - Height Adjuster L.H. Front R.H. Rear
37	156406	Nut - 3/8-16 Toplock Flange
38	164998	Bolt - 1/4-20 x 1/2 Thread Forming
39	462093	Washer - 1/4
40	452318	Nut #10-24 Hex Nylon Insert
41	458687	Bolt - #10-24 x 1/2
42	043018	Wheel - 8 x 1.75 Plastic
43	715011	Hairpin Cotter
44	715037	Nut - 1/4-20 Keps
45	715045	Bolt - 1/4-20 x 3/4
46	715508	Locknut 1/4-20
47	715607	Washer - Belleville
48	776500	Setting Lever - Height Adjuster
49	092668	Wheel Lever - Height Adjuster

NOTE: Parts are right or left hand as viewed from operator position.
 Specifications subject to change without prior notice.

S/N 239841
 O/M 082602
 P/L 082607
 E/M 082689