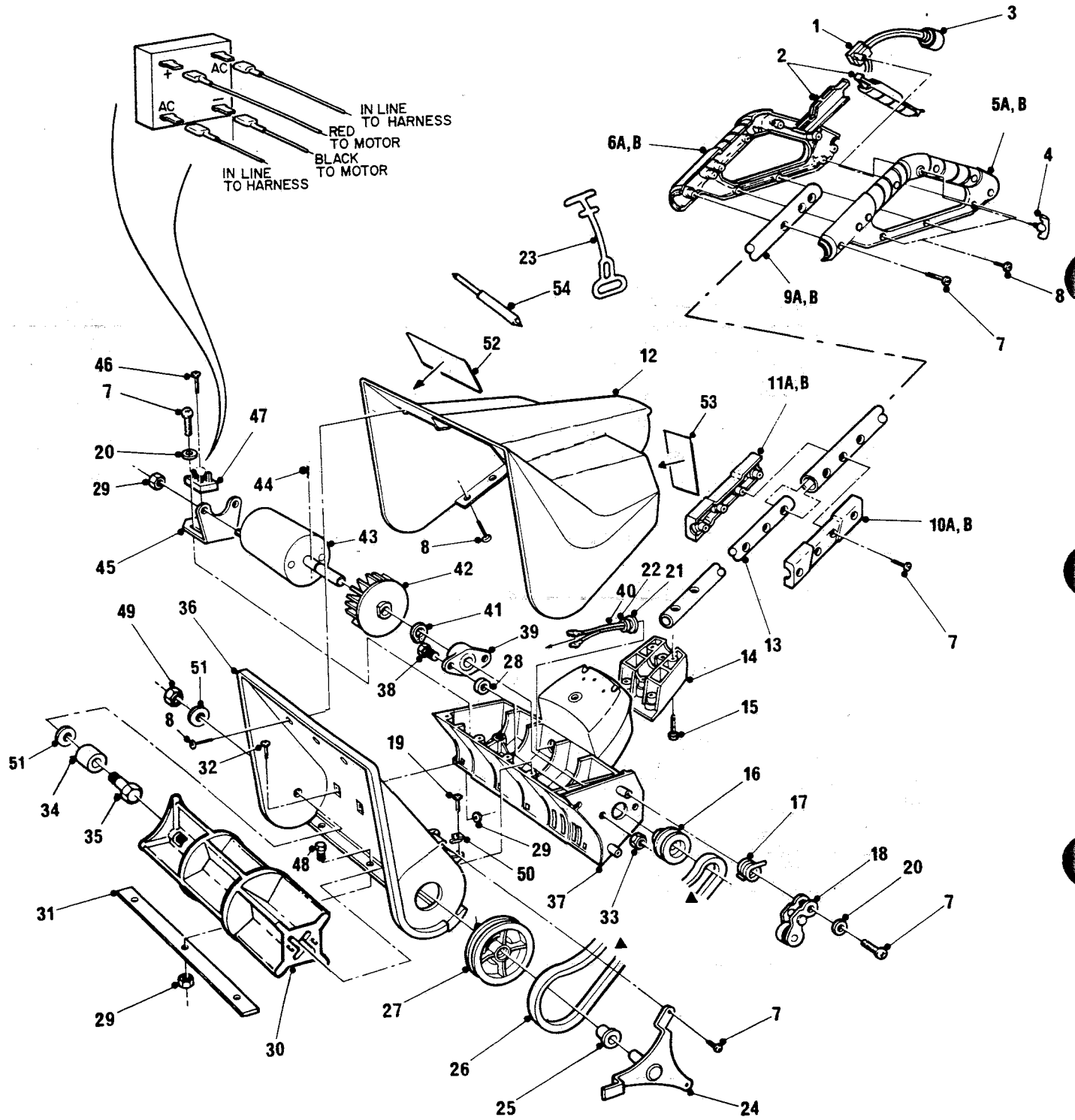


**MODEL: SC12ELM
12" ELECTRIC POWER SHOVEL**



MODEL: SC12ELM
12" ELECTRIC POWER SHOVEL

| Ref. No. | Part No. | Description |
|----------|----------|---|
| 1 | 630020 | Switch trigger |
| 2 | 673657 | Trigger, lever (red) |
| 3 | 630392 | Connecting lead |
| 4 | 672162 | Key, double notch |
| 5A | 673673 | Stock, trigger, L.H. w/key hole (black) |
| 5B | 673731 | Stock, trigger, L.H. w/key hole (grey) |
| 6A | 673681 | Stock, trigger, R.H. (black) |
| 6B | 673749 | Stock, trigger, R.H. (grey) |
| 7 | 152736 | #8 x 3/4 Poly screw |
| 8 | 152843 | #8 x 1/2 Poly screw |
| 9A | 657841 | Tube, upper handle (chrome) |
| 9B | 657999 | Tube, upper handle (grey) |
| 10A | 673756 | Grip, center, L.H. (black) |
| 10B | 673772 | Grip, center, L.H. (grey) |
| 11A | 673764 | Grip, center, R.H. (black) |
| 11B | 673780 | Grip, center, R.H. (grey) |
| 12 | 673699 | Upper housing (red) |
| 13A | 657858 | Tube, lower handle (chrome) |
| 13B | 657874 | Tube, lower handle (grey) |
| 14 | 673707 | Housing, rear (black) |
| 15 | 380253 | #10 8 x 1 Screw |
| 16 | 708909 | Drive pulley |
| 17 | 708859 | Spring, idler |
| 18 | 713677 | Idler arm assembly |
| 19 | 380261 | #8 x 1 Poly screw |
| 20 | 152785 | #8 Flat washer |
| 21 | 138883 | Clamp, Heyco |
| 22 | 153155 | Washer, trunion |
| 23 | 673566 | Strain Relief |
| 24 | 713685 | Bracket, drive pulley assembly |
| 25 | 664177 | Bearing, bronze |
| 26 | 708867 | Belt, drive |

| Ref. No. | Part No. | Description |
|----------|----------|------------------------------------|
| 27 | 708875 | Driven pulley |
| 28 | 672972 | Plastic washer |
| 29 | 154864 | #10-32 Locknut |
| 30 | 673798 | Impeller, 12" (black) |
| 31 | 673806 | Scraper bar, 12" (black) |
| 32 | 380287 | #10-32 x 1/2 Screw, Phil. pan head |
| 33 | 715078 | 1/4-20 Nut, flange serrated |
| 34 | 708941 | Bearing, powder metal |
| 35 | 150169 | 1/4-20 x 1/2 Bolt, full thread |
| 36 | 673715 | Impeller housing, 12" (black) |
| 37 | 673723 | Lower housing, 12" (black) |
| 38 | 457044 | 1/4-20 x 1/2 Bolt |
| 39 | 664193 | Bearing, self-aligning |
| 40 | 630400 | Harness |
| 41 | 380295 | "E"-ring |
| 42 | 630418 | Fan, motor |
| 43 | 630426 | Motor, 120V |
| 44 | 488775 | 1/8 x 5/8 Roll pin |
| 45 | 666727 | Bracket, motor mount |
| 46 | 156547 | #6 x 32 x 3/4 Screw |
| 47 | 630012 | Rectifier |
| 48 | 162214 | #10-32 x 1/2 Bolt |
| 49 | 150391 | 1/4-20 Nut, nylock |
| 50 | 630434 | Plug, retainer |
| 51 | 380386 | Washer 3/4 x 1/4 x 1/16 |
| 52 | 679555 | Dcl. Danger |
| 53 | 009969 | Dcl. Caution |
| 54 | 1740 | Plastic probe |