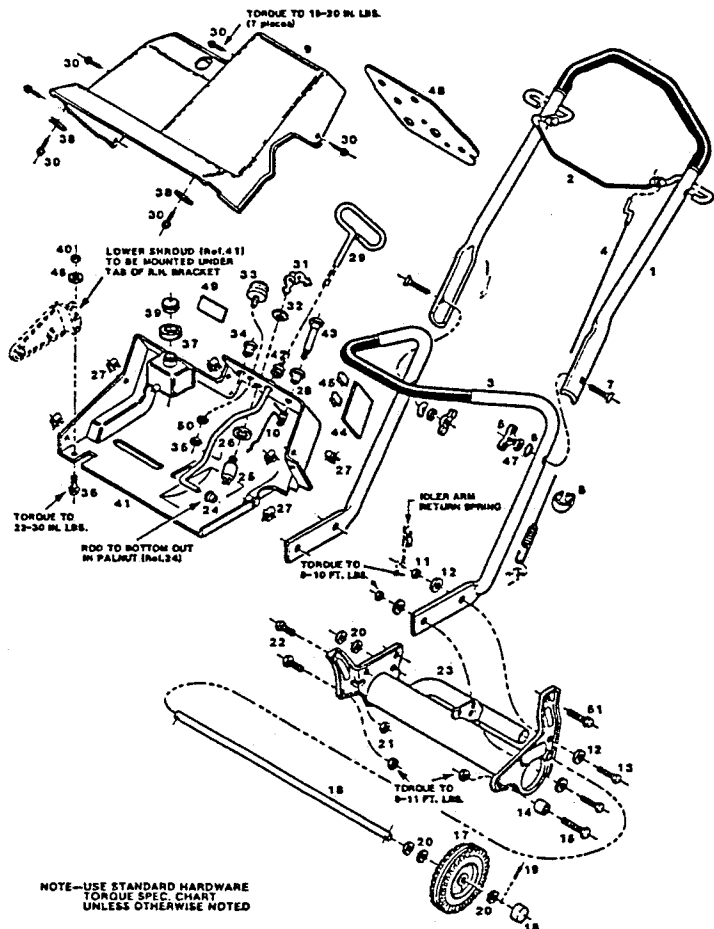


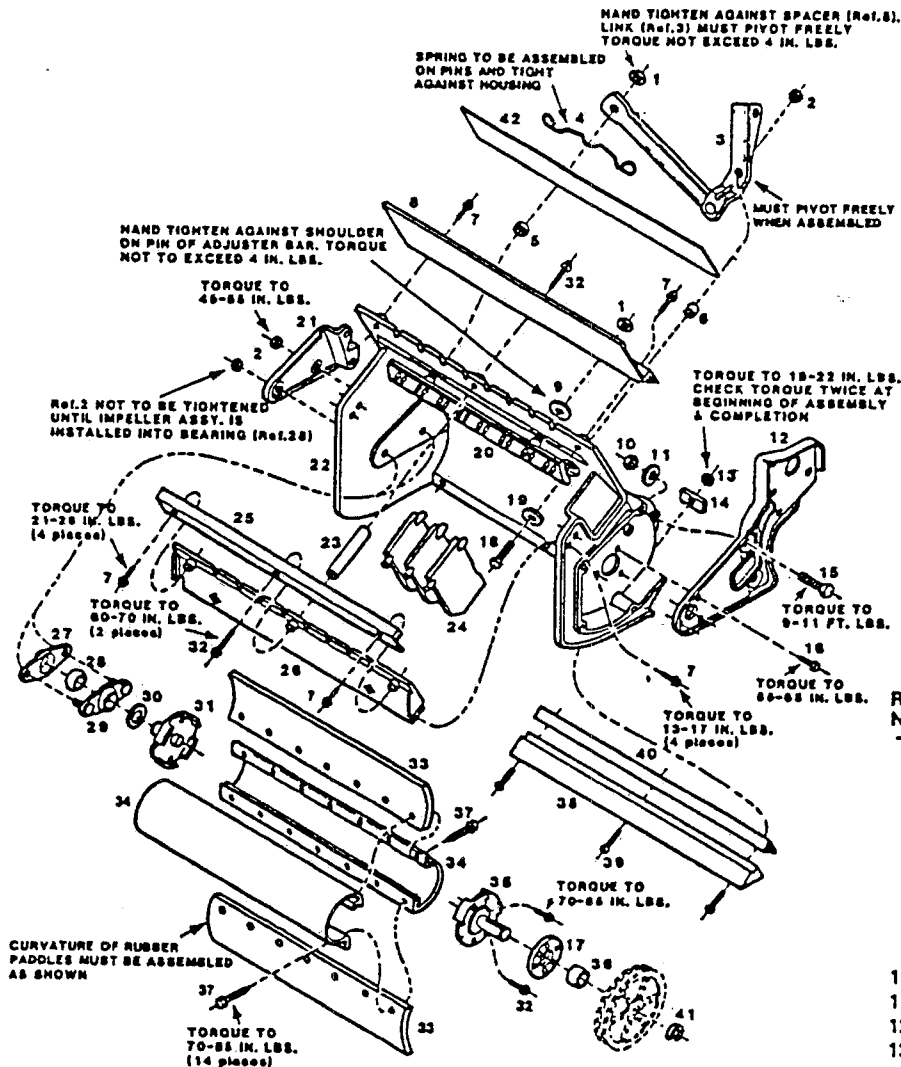
SC3216E  
 SC3216ESE  
 21" 2 cycle Snowthrower



NOTE—USE STANDARD HARDWARE  
 TORQUE SPEC. CHART  
 UNLESS OTHERWISE NOTED

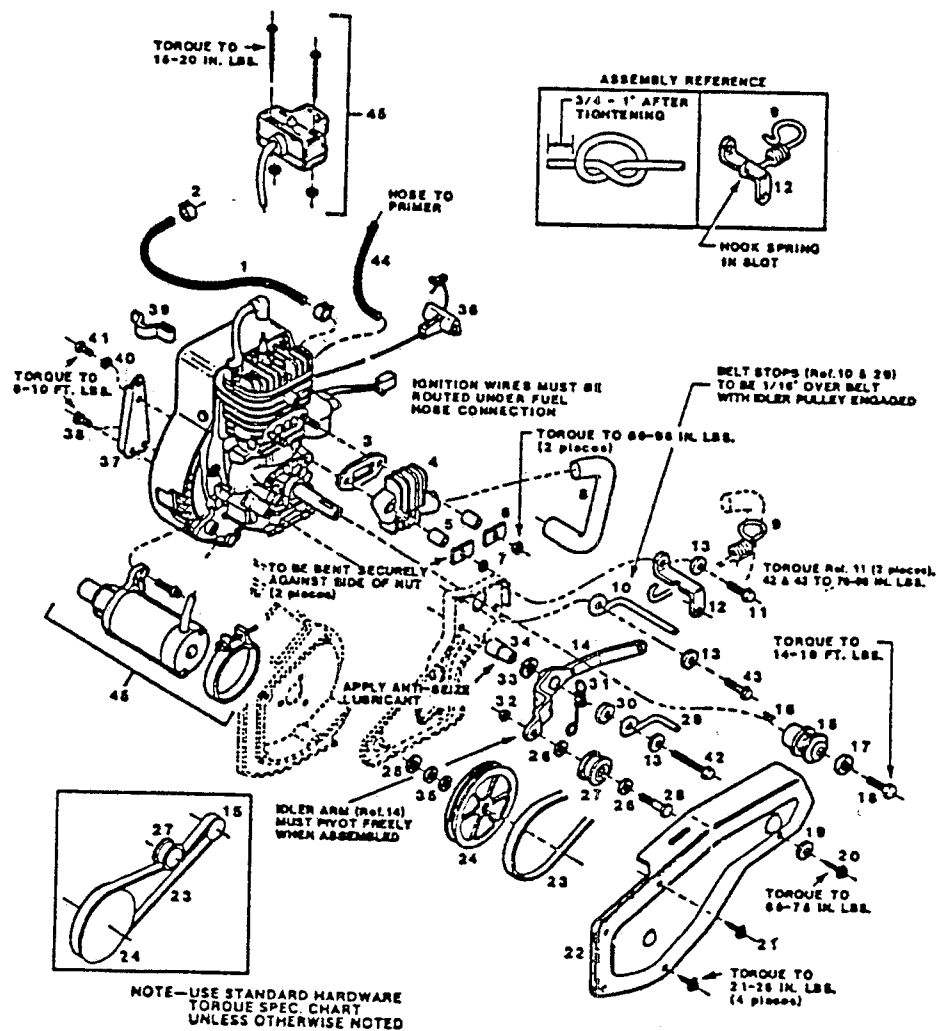
Ref. No.	Part No.	Description	Ref. No.	Part No.	Description
1	657114	Handle-Upper	27	155358	Speednut #10 Short
2	107912	Bail	28	672535	Guide-Choke Knob
3	657148	Handle-Lower	29	663955	Rod-Vane Control
4	712729	Cable-Clutch Control	30	155465	Screw-Plastite 10-14x5/8
5	151795	Wing Nut 5/16-18	31	304576	Key-Ignition Switch
6	150201	Washer-Curved	32	310102	Nut-Ignition Switch 5/8-32
7	151936	Bolt-Curved Hd. 5/16-18x2-1/4	33	645762	Primer Assy.
8	448076	Clip-Trottle 7/8	34	663963	Guide-Starter Rope
9	672501	Shroud	35	155242	Nut-Jam 1/4-20
10	663922	Wire-Choke Control	36	155366	Screw #10-24x5/8
11	715508	Locknut 1/4-20	37	134262	Washer-Foam
12	460584	Washer-Flat 1/4	38	155374	Speednut #10 Long
13	155341	Capscrew 1/4-20x7/8	39	645770	Cap-Fuel
14	664128	Spacer-LH	40	452318	Locknut #10-24
15	150250	Capscrew 5/16-18x1-1/2	41	712687	Shroud-Lower Assy.
16	672345	Hub Cap	42	134270	Grommet
17	041129	Wheel 6" Plastic	43	134197	Knob-Choke Control
18	663914	Axle	44	134338	Shield-Heat
19	715029	Cotter Pin 3/32x3/4	45	155556	Clip-Tinnerman
20	462309	Washer 3/8	46	715136	Washer-Flat #10
21	715490	Locknut 5/16-18	47	461665	Washer-Shake 5/16
22	150151	Capscrew 5/16-18x3/4	48	678540	Decal-Manual Start
23	712737	Muffler Assy.		678532	Decal-Electric Start
24	452128	Palnut 1/4	49	714212	Decal-Rating Plate
25	630186	Ignition Switch	50	715227	Washer-Star 1/4
26	311241	Lockwasher 5/8	51	450429	Bolt 5/16-18 x 5/8

**SC3216E**  
**SC3216ESE**  
 21" 2 cycle Snowthrower



NOTE—USE STANDARD HARDWARE  
 TORQUE SPEC. CHART  
 UNLESS OTHERWISE NOTED

Ref. No.	Part No.	Description	Ref. No.	Part No.	Description
1	155291	Nut-Self Threading	22	672477	Housing-Impeller
2	715508	Locknut 1/4-20	23	663849	Tube
3	712703	Vane Control Assy.	24.	672493	Vane
4	134171	Spring-Detent	25	134163	Molding-Alum Lower
5	134221	Bushing	26	672485	Mount-Front
6	134239	Bushing	27	663823	Flange
7	155465	Screw-Plastite 10-24x5/8	28	134312	Bearing
8	134189	Molding-Alum Upper	29	712679	Flange Assy.
9	155473	Washer-Nylon	30	155580	Washer
10	715490	Locknut-Top 5/16-18	31	712661	Flange Assy.-RH
11	715185	Washer-Flat 5/16	32	155309	Screw 10-14x1
12	697409	Bracket-Engine LH	33	812044	Paddle
13	452318	Nut-Nylock 10-24	34	663898	Drum-Impeller
14	155499	Washer-Square	35	712836	Flange Assy.-LH
15	150151	Capscrew 5/16-18x3/4	36	134320	Bearing
16	155465	Screw-Plastite 10-14x5/8	37	155317	Screw-Taplite 1/4-20x1-1/8
17	663831	Retainer-Bearing LH	38	672527	Scraper
18	715292	Capscrew 1/4-20	39	155325	Screw
19	460584	Washer-Flat 1/4	40	664110	Bracket-Scraper
20	672519	Bar-Adjustment	41	789883	Retaining Ring
21	697367	Bracket, RH	42	678490	Decal-Danger Discharge



Ref. Part No. No.	Description	Ref. Part No. No.	Description		
1	134304	Hose-Fuel	24	672469	Pulley-Plastic Driven
2	447938	Clamp-Hose 1/2	25	154211	Washer-Spring 1/2
3	645788	Gasket-Manifold	26	715417	Washer-Flat 3/8
4	663906	Manifold-Exhaust	27	420745	Pulley, Idler
5	155382	Spacer	28	715326	Bolt-Hex 3/8-16 x 1
6	155481	Keeper-Nut	29	663948	Stop-Lower Belt
7	715508	Locknut 1/4-20	30	155416	Washer-Flat 5/16
8	664086	Pipe-Exhaust	31	134213	Spring-Tension
9	134205	Spring-Extension	32	310011	Locknut-Center 3/8-16
10	663930	Stop-Upper Belt	33	155424	Washer
11	450429	Bolt 5/16-18 x 5/8	34	134247	Bushing-Stud
12	697383	Bracket-Cover	35	152553	Washer-Hardened 1/2
13	715185	Washer-Flat 5/16	36	645796	Handle-Pull
14	664169	Arm-Idler	37	697375	Bracket-Engine
15	663856	Pulley-Drive	38	155259	Screw-Taptite 1/4-20
16	150276	Key-Woodruff	39	155432	Clip-Cable Tinnerman
17	311118	Lockwasher-Split 5/16	40	715094	Lockwasher-Split 1/4
18	152116	Bolt-Hex 5/16-24 x 3/4	41	155440	Capscrew 1/4-20x3/8
19	155408	Washer-Shakeproof	42	155267	Screw-Whizlock 5/16-18x2-1/4
20	155465	Screw 10-14 x 5/8	43	155275	Screw-Whizlock 5/16-18x3/4
21	154468	Screw 10-14 x 1/2	44	672584	Hose-Primer 1/8
22	697391	Cover-Belt	45	630184	Electric Start Kit
23	134286	Belt-Drive			