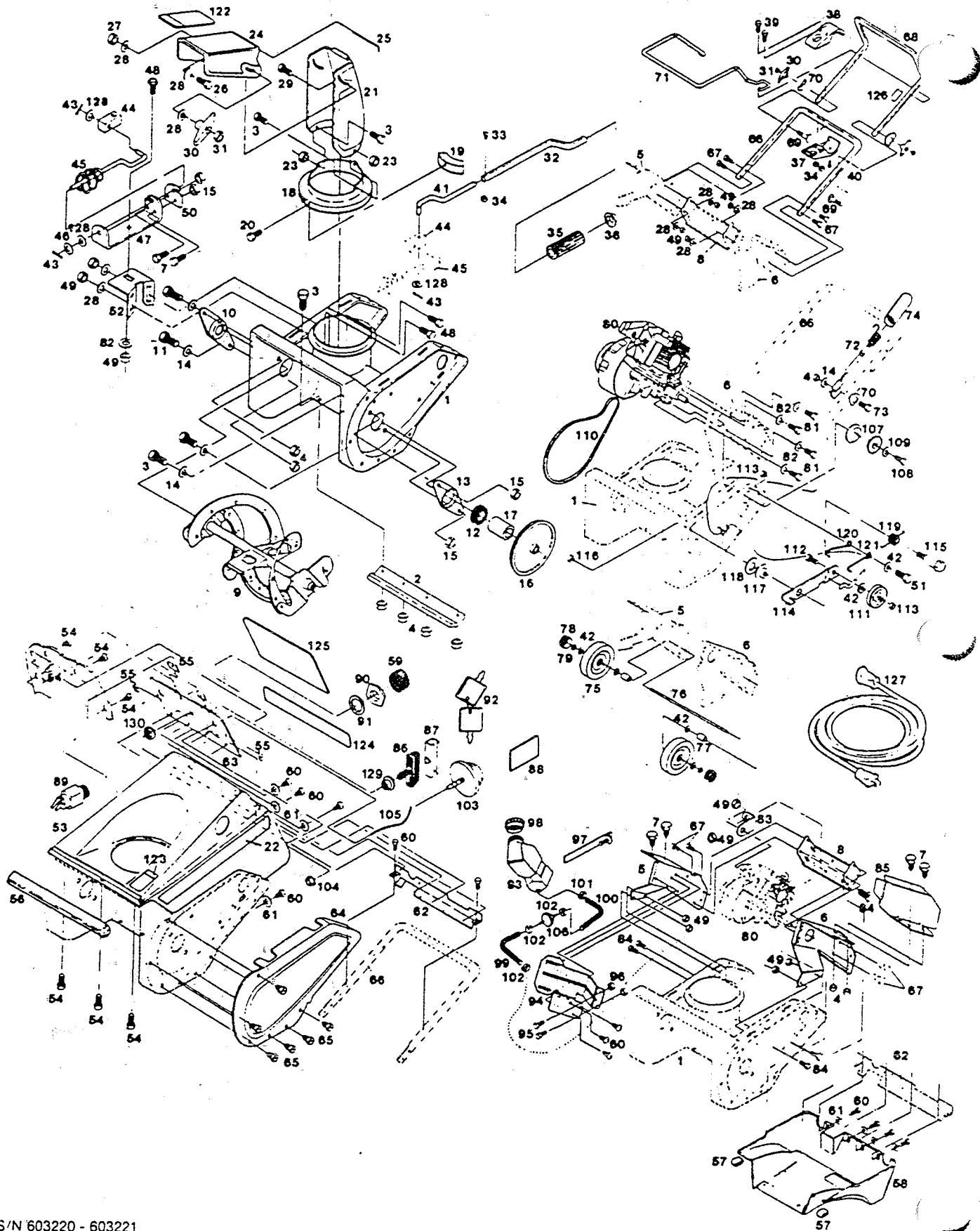


MODEL: SC421N - SC421ESN  
4.5 HP 21" 2-CYCLE SINGLE-STAGE SNOWTHROWER



S/N 603220 - 603221  
E/M 187146  
O/M 690168

MODEL: SC421N - SC421ESN  
4.5 HP 21" 2-CYCLE SINGLE-STAGE SNOWTHROWER

Index No.	Part No.	Description	Index No.	Part No.	Description
1	698795	Housing-auger	67	450346	Bolt-hex 5/16-18 x 3/4
2	673830	Blade—scraper	68	698605	Handle-upper
3	449587	Bolt-hex 1/4-20 x 5/8	69	449942	Bolt-curved hd 5/16-18 x 2
4	451419	Nut-hex flange 1/4-20 top lock	70	150201	Washer-curved
5	689661	Bracket-auger housing RH	71	689687	Bail-auger drive control
6	689679	Bracket-auger housing LH	72	698894	Cable-drive control
7	457044	Bolt-hex 1/4-20 x 1/2	73	450072	Bolt-hex 1/4-20 x 1-1/2
8	689653	Support-housing brackets	74	667402	Boot-spring cover
9	613497	Auger Assembly	75	041970	Wheel w/tire
10	613232	Bearing-auger RH	76	667014	Axle-wheel
11	155341	Bolt-hex 1/4-20 x 7/8	77	380980	Spacer-wheel
12	613257	Bearing-auger LH	78	672345	Cap-hub
13	613240	Retainer-bearing	79	380295	Ring-retainer
14	615690	Washer-flat 1/4	80	*	Engine-two cycle, 4HP
15	715508	Nut-hex 1/4-20 toplock	81	380865	Bolt-hex 5/16-24 x 5/8
16	613265	Pulley-auger	82	311118	Washer-split lock 5/16
17	163261	Spacer-pulley	83	689646	Bracket-engine
18	673921	Ring-chute rotator	84	382275	Bolt-hex 5/16-18 x 1/2
19	673939	Guide-ring	85	689638	Shield-heat
20	158824	Screw-plastite 1/4-10 x 3/4	86	645796	Grip-starter rope
21	673947	Chute-discharge	87	667477	Insert-grip
22	449942	Decal-Show Chief	88	006874	Decal-heat reflective
23	452615	Nut-hex 1/4-20 nylok	89	630186	Switch-ignition ON/OFF
24	673954	Deflector-discharge chute	90	310102	Nut-switch retaining 5/8-32
25	698936	Pin-deflector hinge	91	311241	Washer-lock, int tooth
26	152108	Bolt-hex 5/16-18 x 1	92	304352	Key-ignition (2 on a ring)
27	310151	Nut-hex 5/16-18 nylok	93	646083	Tank-fuel 1.62 qt.
28	715185	Washer-flat 5/16	94	689620	Bracket-fuel tank
29	313536	Bolt-carriage 5/16-18 x 1-1/4	95	150326	Screw-slotted #10-24 x 1/2
30	113589	Knob-wing	96	150946	Nut-hex #10-24 toplock
31	310045	Nut-hex 5/16-18	97	158238	Clamp-fuel tank
32	698571	Crank-chute control, upper	98	673822	Cap-fuel tank
33	715581	Screw-slotted #10-24 x 7/8	99	689604	Hose-fuel line 3 1/4"
34	452318	Nut-hex #10-24 nylok	100	689612	Hose-fuel line 8"
35	673913	Grip-chute crank	101	162404	Clamp-hose (worm type)
36	163774	Nut-push on	102	303859	Clamp-hose (spring type)
37	673905	Bracket-crank, hex hole	103	645762	Primer-fuel system
38	673897	Bracket-crank, round hole	104	715037	Nut-primer 1/4-20 keps
39	163766	Screw-Phillips #10-24 x 1	105	689596	Hose-primer
40	158097	Screw-tapping 1/4-20 x 5/8	106	432625	Filter-fuel
41	666990	Extension-upper crank	107	613224	Pulley-drive, on engine (2 pcs)
42	715417	Washer-flat 3/8	108	163741	Bolt-hex 5/16-24 x 7/8
43	715029	Pin-cotter 3/32 x 3/4	109	158212	Washer-flat 5/16
44	673889	Block-connector, u-joint	110	171538	Belt-auger drive
45	666982	Crank-chute control, lower w/coils	111	158816	Pulley-idler
46	163865	Washer-curved spring	112	382812	Bolt-carriage 3/8-16 x 1 1/4
47	689695	Support-lower crank	113	715086	Nut-hex 3/8-16 toplock
48	313510	Bolt-carriage 5/16-18 x 3/4	114	698845	Arm-idler pulley
49	715490	Nut-hex 5/16-18 toplock	115	698886	Bolt-hex 3/8-16 x 1 3/4
50	666974	Plate-crank retaining	116	715524	Nut-hex 3/8-16 jam
51	715326	Bolt-hex 3/8-16 x 1	117	158782	Spacer-idler arm pivot
52	689703	Bracket-crank support	118	645937	Washer-flat 3/8
53	667691	Cover-top	119	698878	Spring-torsion, brake engaging
54	154468	Screw-plastite #10-14 x 1/2	120	689778	Guide-belt, upper
55	164665	Nut-Tinnerman speed #10-14	121	689786	Guide-belt, lower
56	693977	Molding-plastic, auger housing	122	667690	Decal-DANGER, discharge chute
57	645960	Clip-Tinnerman	123	795351	Decal-DANGER, auger
58	667733	Cover-bottom	124	689521	Decal-STARTING INSTRUCTIONS
59	112698	Cap-ignition switch	125	689760	Decal-control panel, recoil start
60	151118	Screw-tapping #10-24 x 1/2		680777	Decal-control panel, electric start
61	159467	Washer-flat 3/16	126	760512	Decal-auger control
62	667451	Bracket-rear, top and bottom covers	127	630483	Cord-extension, 10 foot, electric start
63	689745	Panel-dash	128	461731	Washer-flat 3/8
64	667410	Cover-belt	129	382416	Eyelet-1/2" Brass
65	157784	Screw-tapping #10-24 x 3/8	130	382424	Washer-1/2" Brass
66	698613	Handle-lower			

\*Contact engine manufacturer's authorized service dealer for parts and warranty.

S/N 603220 - 603221  
E/M 187146  
O/M 690168