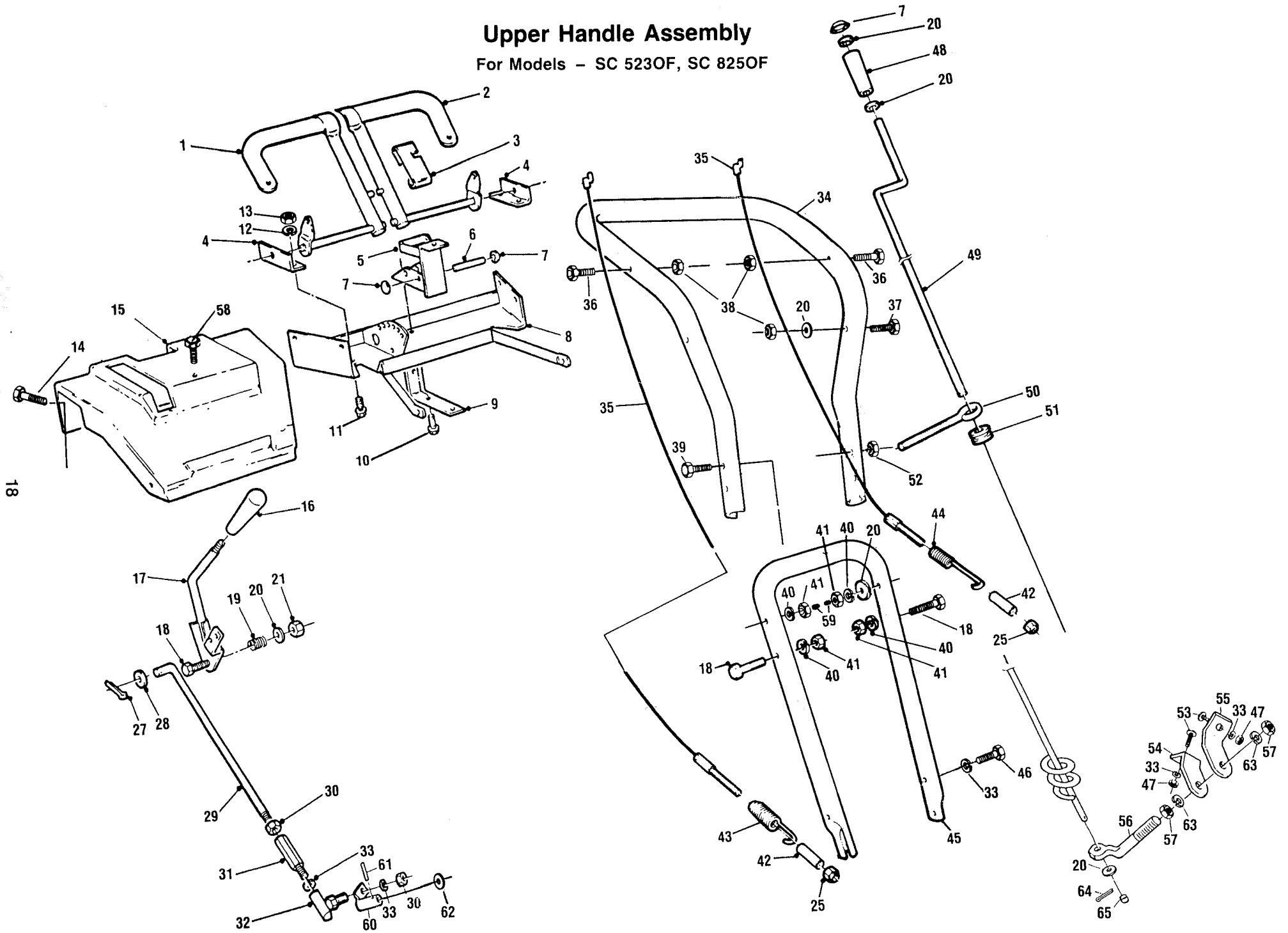


Upper Handle Assembly

For Models - SC 523OF, SC 825OF

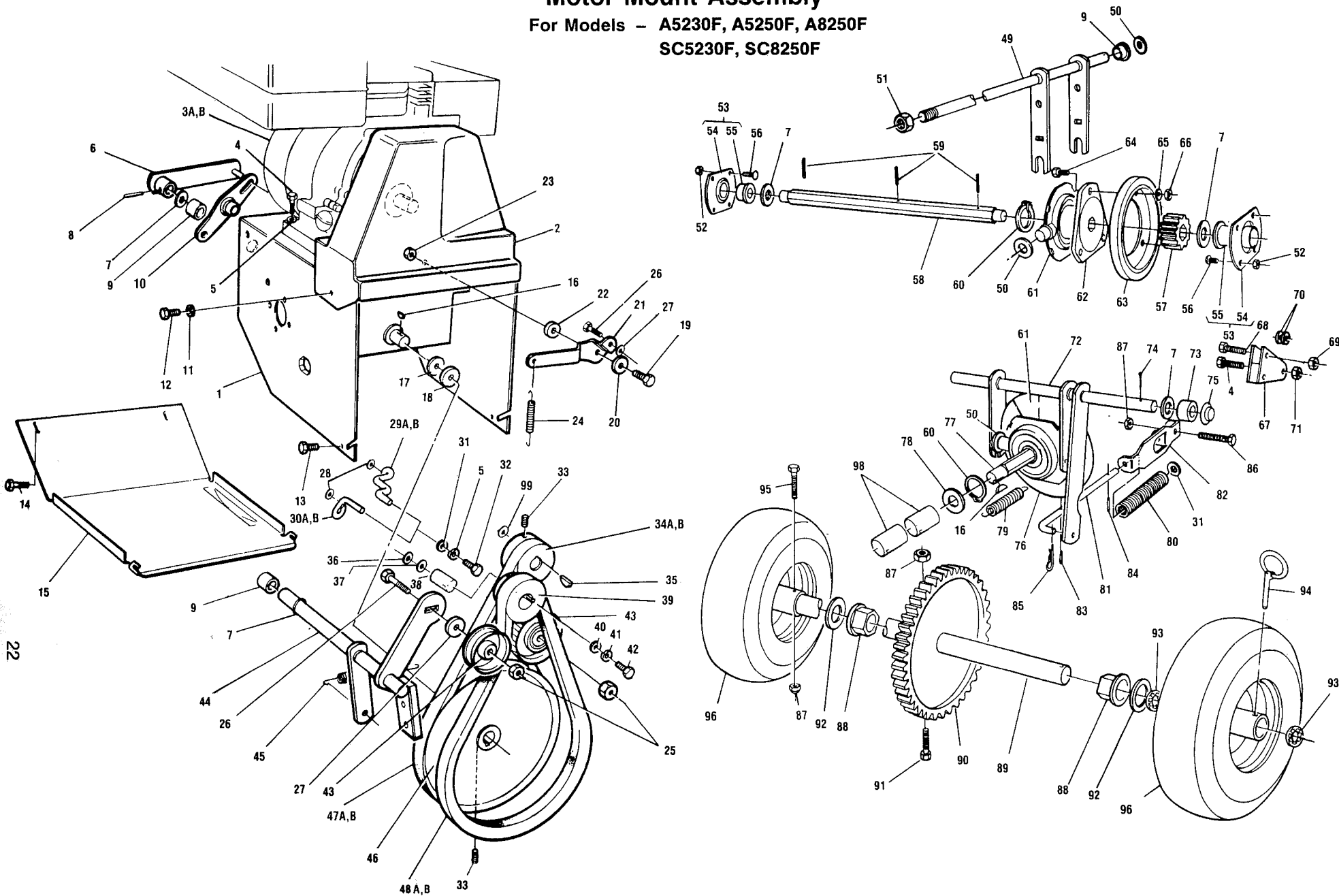


Upper Handle Assembly
Index for Models – SC 5230F, SC 8250F

Ref. No.	Part No.	Description	Ref. No.	Part No.	Description
1	664722	Clutch handle R.H.	36	150250	5/16-18 x 1-1/2 bolt
2	664780	Clutch handle L.H.	37	312280	5/16-18 x 1-3/4 bolt
3	664748	Cam lock	38	715177	5/16-18 locknut
4	657361	Clutch handle bracket	39	456780	3/8-16 x 2-1/2 bolt
5	657429	Bracket light	40	150185	3/8 lockwasher
6	657411	Pin latch	41	715391	3/8-16 hex nut
7	152926	3/8 cap retainer	42	657270	Spacer
8	664789	Console bracket standard	43	645622	Spring auger clutch
9	657312	Bracket console support	44	662874	Spring drive clutch
10	315085	5/16-18 x 1/2 self tapping screw	45	657247	Lower handle
11	715052	1/4-20 x 1/2 bolt	46	312066	5/16-18 x 3/4 bolt
12	715094	1/4 lockwasher	47	310045	5/16-18 hex nut
13	310052	1/4-20 hex nut	48	672253	Handle crank
14	153007	1/4-20 x 1/2 self tapping screw	49	662791	Crank
15	657346	Console standard (without remote chute)	50	458984	3/8 eye bolt
16	744243	Control knob	51	672220	Grommet
17	657288	Speed control lever	52	715524	3/8-16 jam nut
18	312322	3/8-16 x 1-3/4 bolt	53	313510	5/16-18 x 3/4 carriage bolt
19	645630	Spring	54	697664	Bracket chute rotate L.H.
20	715417	3/8 flat washer	55	697672	Bracket chute rotate R.H.
21	451195	3/8-16 locknut	56	697680	Rod chute control
25	150391	1/4 x 20 locknut	57	157339	1/2-20 jam nut
27	715029	3/32 x 3/4 cotter pin	58	457523	5/16-18 x 3/4 self tapping screw
28	715185	5/16 flat washer	59	672964	Plastic stop
29	657296	Rod speed control	60	662452	Lever speed control
30	152934	5/16-24 hex nut	61	513106	5/32 x 7/8 roll pin
31	664764	Adaptor	62	513155	Washer
32	707372	Ball joint	63	311035	1/2 lockwasher
33	311118	5/16 lockwasher	64	151472	3/32 x 1 cotter pin
34	697656	Upper handle	65	672956	Plastic cap
35	645614	Clutch cable		630160	(Not shown) Light kit Model 8250 w/o alt.
				630137	Model 8250 with alt.

Motor Mount Assembly

For Models – A5230F, A5250F, A8250F
SC5230F, SC8250F



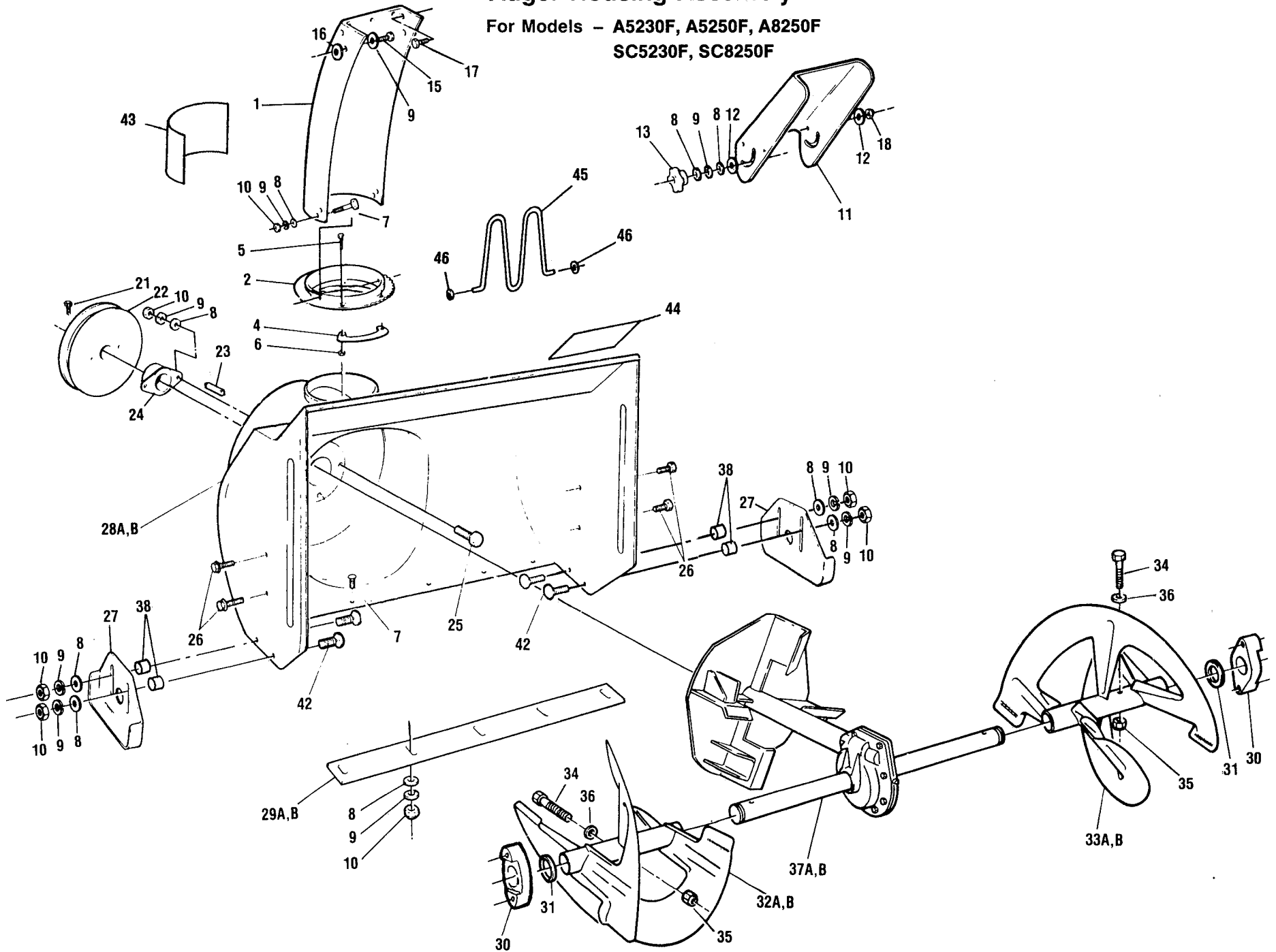
Motor Mount Assembly

Index for Models - A5230F, A5250F, A8250F
SC5230F, SC8250F

Ref. No.	Part No.	Description	Ref. No.	Part No.	Description
1	712992	Motor mount frame	49	662437	Speed control shaft
2	707307	Belt cover (black)	50	153155	Washer
3A		5 HP Tecumseh engine	51	310011	3/8-16 locknut
3B		8 HP Tecumseh engine	52	715334	10-24 keps nut
4	150045	5/16-18 x 1-1/4 bolt	53	707182	Bearing assembly
5	311118	5/16 lockwasher	54	707398	Flange bearing
6	662973	Lever auger clutch	55	707380	Bearing
7	460824	1/2 - flat washer	56	153163	10-24 x 3/8 carriage bolt
8	153106	5/32 x 7/8 roll pin	57	707174	Pinion 8 tooth
9	672204	Plastic bushing	58	707166	Hex shaft
10	662981	Lever clutch cable	59	314112	1/8 x 3/4 roll pin
11	715300	1/4 - flat washer	60	153262	1 1/4 - snap ring
12	153007	1/4-20 x 1/2 self tapping screw	61	662833	Trunion bearing assembly
13	315085	5/16-18 x 1/2 self tapping screw	62	662551	Hub friction wheel
14	153007	1/4-20 x 1/2 self tapping screw	63	707141	Friction wheel
15	662627	Bottom panel	64	153171	1/4-20 x 5/8 bolt
16	153080	Hypro key 3/16	65	715094	1/4 lockwasher
17	311282	5/8 - flat washer	66	310052	1/4-20 hex nut
18	664615	Race thrust	67	662387	Pivot traction
19	312086	5/16-18 x 3/4 bolt	68	525196	1/4-20 x 1 3/4 bolt
20	153247	5/16 x 1 3/8 x 14 GA washer	69	150391	1/4-20 locknut
21	707273	Lever idler traction	70	153569	Spacer
22	707067	Spacer	71	715177	5/16-18 locknut
23	715177	5/16-18 locknut	72	662478	Traction shaft assy.
24	662817	Spring	73	707109	Bushing
25	715524	3/8-16 hex jam nut	74	317016	1/8 x 1 cotter pin
26	153015	3/8-16 x 1 1/4 bolt	75	153205	1/2 - push nut
27	715417	3/8 - flat washer	76	662866	Disc drive
28	663484	Spacer belt retainer	77	664631	Traction hex shaft
29A	707877	Belt guide L.H. (5 HP)	78	664680	Bearing thrust
29B	662635	Belt guide L.H. (8 HP)	79	662858	Spring
30A	707885	Belt guide R.H. (5 HP)	80	662841	Spring traction
30B	662643	Belt guide R.H. (8 HP)	81	664649	Rod - traction
31	715185	5/16 - flat washer	82	662585	Bracket traction spring
32	153064	5/16-24 x 1 bolt	83	153122	1/8 x 1 3/8 spring pin
33	153049	5/16-18 x 1/2 set screw	84	153130	1/8 x 1/2 spring pin
34A	707240	PTO pulley (5 HP)	85	715029	3/32 x 3/4 cotter pin
34B	707406	PTO pulley (8 HP)	86	450353	1/4-20 x 1 1/4 bolt
35	15731	Key no. 5	87	152967	1/4-20 locknut
36	664615	Race thrust washer	88	707828	Bearing axle
37	153239	Washer	89	664656	Axle
38	672998	Spacer	90	664664	48 tooth gear
39A	170910	Pulley auger drive (5 HP)	91	153148	1/4-20 x 2 3/4 bolt
39B	707257	Pulley auger drive (8 HP)	92	153239	Washer
40	153031	Washer	93	663476	Grip ring
41	153023	3/8 lockwasher	94	153619	Clik pin
42	312363	3/8-24 x 1 bolt	95	312090	1/4-20 x 1 1/2 bolt GR5
43	170530	2" idler pulley	96	498451	Wheel
44	664623	Auger clutch rod	98	664672	Bearing needle
45	662825	Spring	99	153239	Washer
46	707216	Traction pulley 8"		662676	(Not shown) Tire chain kit Model 5230
47A	707229	Belt traction drive (5 HP unit)		409375	(Not shown) Tire chain kit Model 8250
47B	707810	Belt traction drive (8 HP unit)		630111	(Not shown) Electric start Model 5230
48A	707620	Belt auger drive (5 HP)		630129	(Not shown) Electric start Model 8250
48B	707232	Belt auger drive (8 HP)			

Auger Housing Assembly

For Models - A5230F, A5250F, A8250F
SC5230F, SC8250F

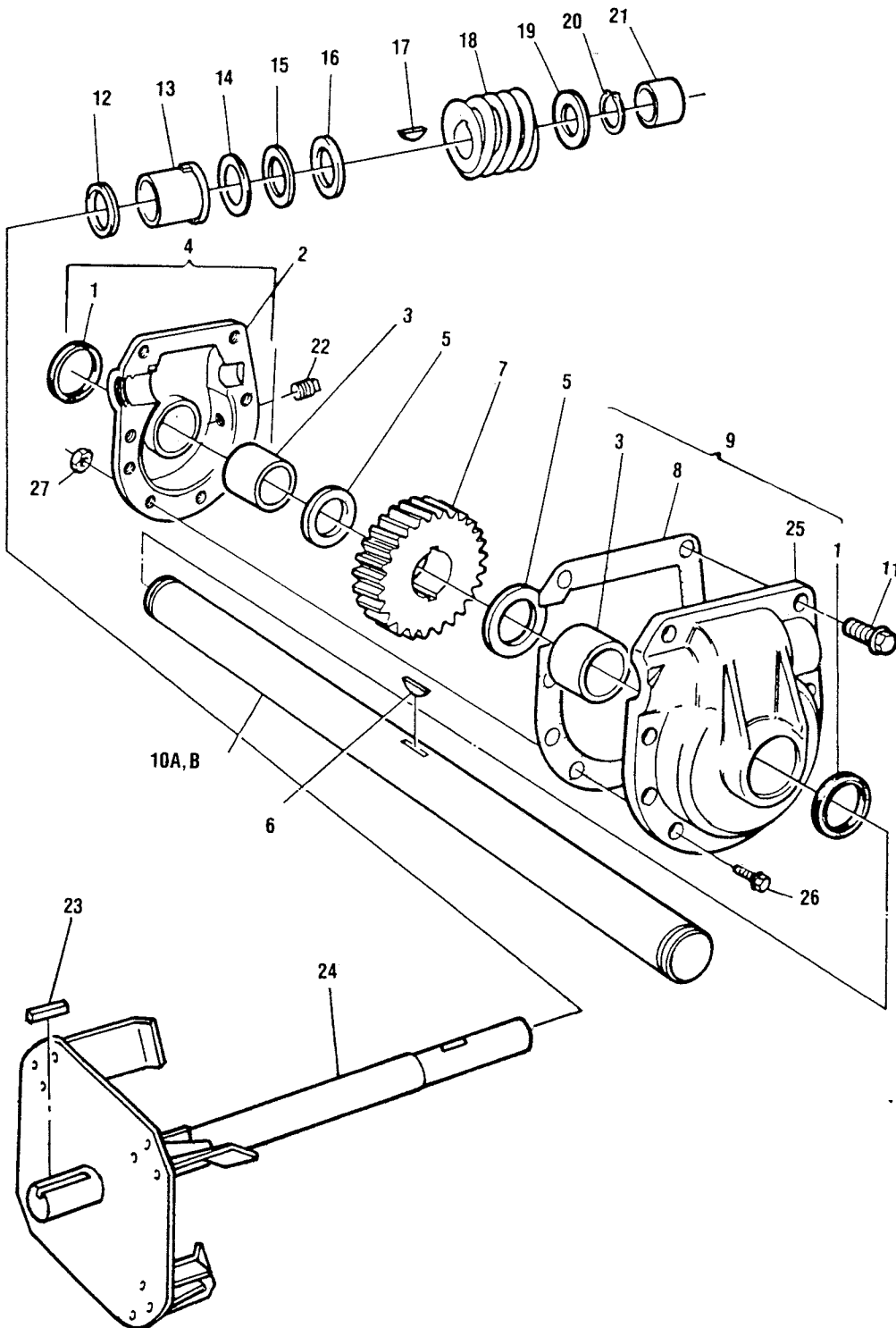


Auger Housing Assembly
Index for Models - A5230F, A5250F, A8250F
SC5230F, SC8250F

Reference No.	Part No.	Description
1	662684	Chute extension
2	662668	Flange
4	697698	Retainer
5	458232	8-32 x 1/2 bolt
6	154096	8-32 locknut
7	313510	5/16-18 x 3/4 carriage bolt
8	715185	5/16 flat washer
9	311118	5/16 lockwasher
10	310045	5/16 hex nut
11	697706	Chute deflector
12	672972	Plastic washer
13	707323	Wing knob
14	461996	7/16 flat washer
15	313502	5/16-18 x 1 carriage bolt
16	715417	3/8 flat washer
17	157321	5/16-18 x 3/4 pan head slotted bolt
18	310151	5/16-18 locknut
21	153577	5/16-18 x 3/4 bolt
22	707190	Auger pulley 6.5"
23	707943	3/16 key
24	662460	7/8 bearing
25	312074	5/16-18 x 5/8 bolt
26	457523	5/16-18 x 3/4 self tapping screw
27	662569	Height adjustor
28A	697714	Auger housing 23"
28B	697722	Auger housing 25"
29A	662429	23" scraper bar
29B	662445	25" scraper bar
30	707661	Bushing auger shaft
31	153387	Washer
32A	662510	23" serrated auger R.H.
32B	662528	25" serrated auger R.H.
33A	662502	23" serrated auger L.H.
33B	662536	25" serrated auger L.H.
34	152900	1/4-20 x 1-1/2 bolt - shear
35	152967	1/4-20 locknut
36	672980	Spacer
37A	713008	23" gear box assembly
37B	713016	25" gear box assembly
38	663484	Spacer
42	312066	5/16-18 x 3/4 bolt
43	677690	Decal - Danger
44	677682	Decal - Danger
45	662692	Hand guard
46	715102	Retainer - hand guard

Gear Box Assembly

For Models - A5230F, A5250F, A8250F
SC5230F, SC8250F



Gear Box Assembly

Index for Models - A5230F, A5250F, A8250F, SC5230F, SC8250F

Reference No.	Part No.	Description
1	707471	Seal
2	707547	Housing L.H.
3	707463	Bearing
4	707455	Housing assembly L.H.
5	707430	Race thrust
6	153353	Key Woodruff #91
7	707422	Worm gear
8	707448	Gasket
9	707489	Housing assembly R.H.
10A	662494	25" auger shaft
10B	662486	23" auger shaft
11	153361	5/16-24 x 1-1/2 bolt
12	153346	Ring quad
13	153338	Bearing impeller shaft
14	153320	Race thrust
15	153312	Bearing needle
16	153304	Race thrust
17	153080	Key 3/16"
18	707513	Worm
19	152959	Race thrust
20	153296	Ring retainer
21	707505	Bearing impeller shaft
22	153288	Grease plug
23	707943	3/16" key
24	713024	Impeller shaft assy.
25	707539	Housing R.H.
26	153064	5/16-24 x 1 bolt
27	153189	5/16-24 flange locknut
	713008	23" gear box assembly (complete)
	713016	25" gear box assembly (complete)