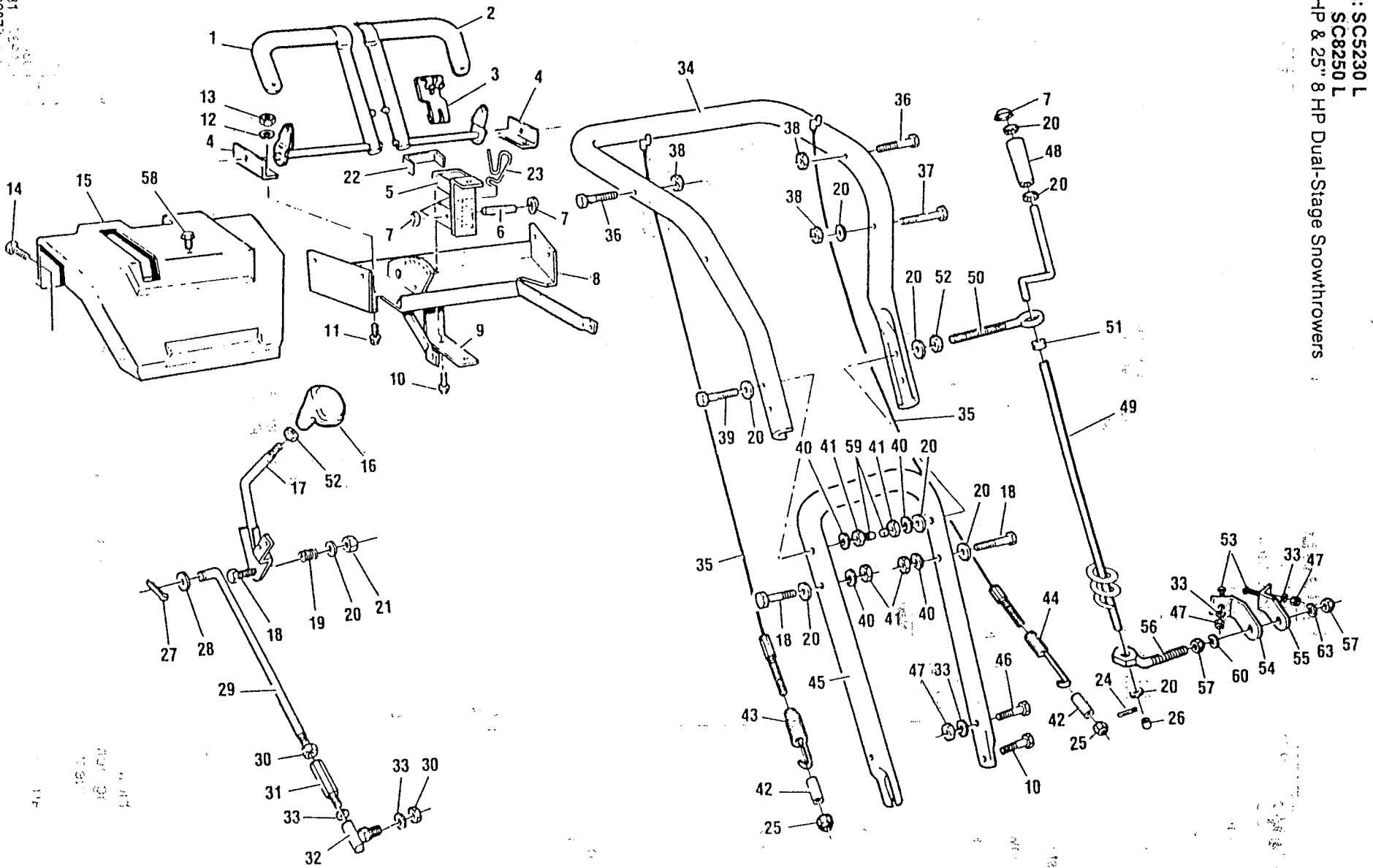


# Upper Handle Assembly

Model: SC5230 L  
 SC8250 L  
 23" 5 HP & 25" 8 HP Dual-Stage Snowthrowers



P/L 690081  
 S S/N 602987  
 S S/N 603100

# Upper Handle Assembly

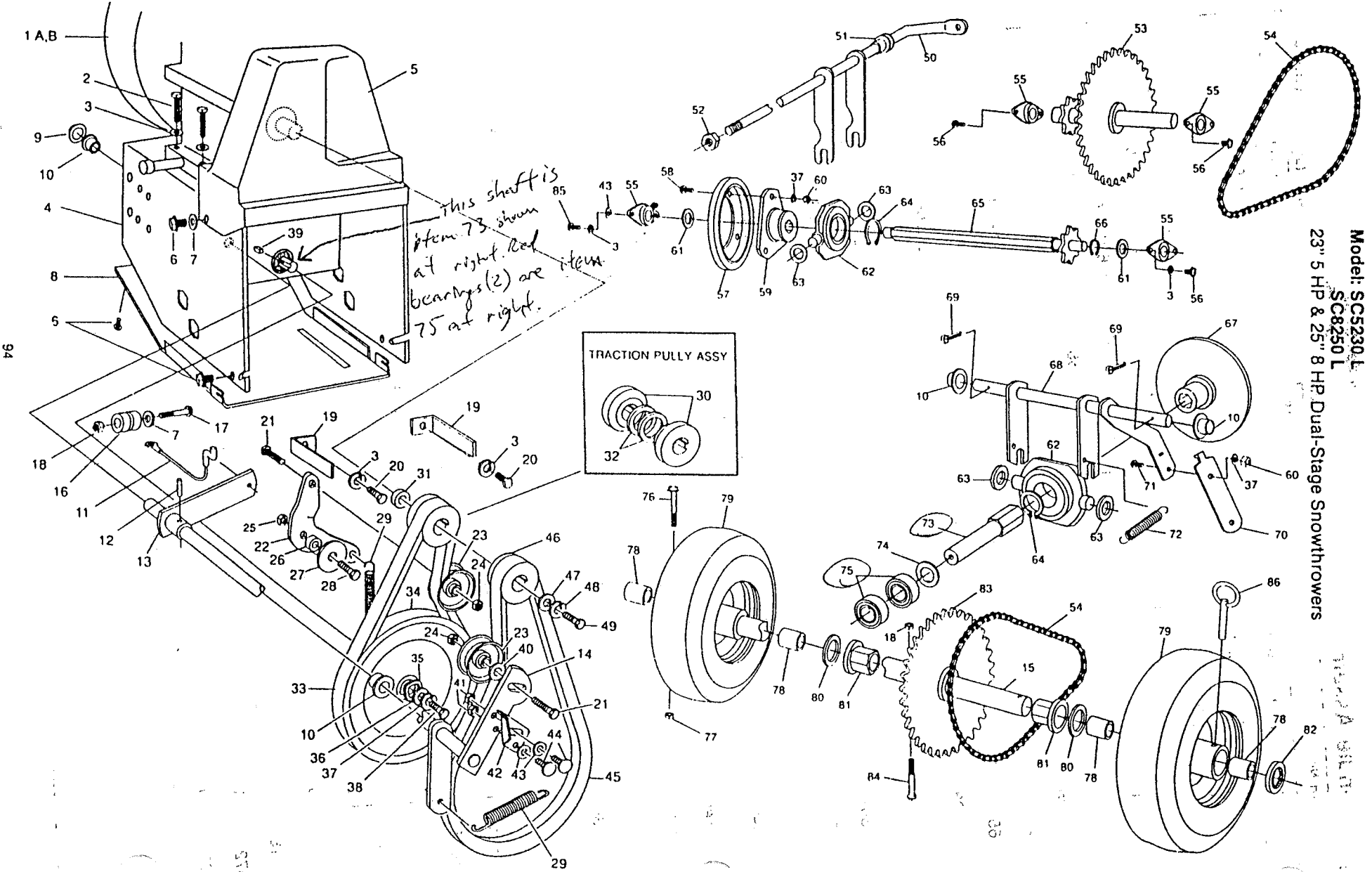
Model: SC5230 L  
 SC8250 L  
 23" 5 HP & 25" 8 HP Dual-Stage Snowthrowers

Ref. No.	Part No.	Description	Ref. No.	Part No.	Description
1	664722	Clutch handle R.H.	34	697656	Upper handle
2	664730	Clutch handle L.H.	35	645614	Clutch cable
3	713180	Cam lock	36	150250	5/16-18 x 1-1/2 bolt
4	657361	Clutch handle bracket	37	312280	5/16-18 x 1-3/4 bolt
5	666644	Bracket light	38	715177	5/16-18 locknut
6	657411	Pin latch	39	456780	3/8-16 x 2-1/2 bolt
7	152926	3/8 cap retainer	40	150185	3/8 lockwasher
8	664789	Console bracket standard	41	715391	3/8-16 hex nut
9	657312	Bracket console support	42	657270	Spacer
10	315085	5/16-18 x 1/2 self tapping screw	43	645622	Spring auger clutch
11	715052	1/4-20 x 1/2 bolt	44	709303	Spring drive clutch
12	715094	1/4 lockwasher	45	657247	Lower handle
13	310052	1/4-20 hex nut	46	312066	5/16-18 x 3/4 bolt
14	153007	1/4-20 x 1/2 self tapping screw	47	310045	5/16-18 hex nut
15	673491	Console standard (without remote chute)	48	672253	Handle crank
16	112169	Control knob	49	662791	Crank
17	657288	Speed control lever	50	458984	3/8 eye bolt
18	312322	3/8-16 x 1-3/4 bolt	51	672220	Grommet
19	645630	Spring	52	715524	3/8-16 jam nut
20	715417	3/8 flat washer	53	313510	5/16-18 x 3/4 carriage bolt
21	451195	3/8-16 locknut	54	697664	Bracket chute rotate L.H.
22	673483	Rubber pad	55	697672	Bracket chute rotate R.H.
23	666651	Spring cam assist	56	697680	Rod chute control
24	151472	3/32 x 1 cotter pin	57	157339	1/2-20 jam nut
25	150391	1/4 x 20 locknut	58	457523	5/16-18 x 3/4 self tapping screw
26	672956	Plastic cap	59	672964	Plastic stop
27	715029	3/32 x 3/4 cotter pin	60	311035	1/2 lockwasher
28	715185	5/16 flat washer		630160	(Not shown) Light kit Model 8250 w/o alt.
29	657296	Rod speed control		630137	Model 8250 with alt.
30	152934	5/16-24 hex nut			
31	664763	Adaptor			
32	707372	Ball joint			
33	311118	5/16 lockwasher			

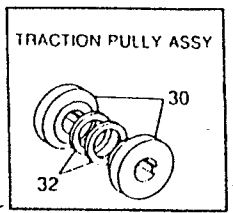
P/L 690081  
S/S/N 602987  
S/S/N 603100

# Motor Mount Assembly

For Models - SC5230 L, SC8250 L



*This shaft is  
item 73 shown  
at right. Red  
bearings (2) are  
item  
75 at right.*



Model: SC5230 L  
SC8250 L  
23" 5 HP & 25" 8 HP Dual-Stage Snowblowers

# Motor Mount Assembly

Model: SC5230 L  
 SC8250 L  
 23" 5 HP & 25" 8 HP Dual-Stage Snowthrowers

Ref. No.	Part No.	Description	Ref. No.	Part No.	Description
1A		5 HP engine	45	707232	Auger belt
1B		8 HP engine	46	707257	Engine pulley
2	615831	5/16 - 18 x 1.25 bolt	47	153031	3/8 x 1-1/4 Flat washer
3	311118	5/16 Lockwasher	48	153023	3/8 Split lockwasher
4	709253	Motor mount w/decal	49	312363	3/8 - 24 x 1 Bolt
5	709261	Belt cover	50	709238	Speed select lever
6	153007	1/4 - 20 x 1/2 Self tap	51	382162	Plastic bushing
7	715300	1/4 Flat washer	52	310011	3/8 - 16 Center locknut
8	709279	Bottom panel	53	709121	Jack shaft
9	153205	Push nut	54	709089	Chain 420 x 40P
10	672261	Plastic bushing	55	707737	Bearing
11	382721	Cable eye lever	56	315085	5/16 - 18 x 1/2 Self tapping screw
12	153106	Roll pin	57	707141	Friction wheel
13	709105	Auger clutch cable lever	58	449587	1/4 - 20 x 5/8 Bolt GR5
14	709188	Auger clutch assy.	59	709220	Friction wheel hub
15	709170	Axle	60	310052	1/4 - 20 hex nut
16	709071	Spool	61	382739	Washer
17	450379	1/4 - 20 x 1-3/4 Bolt	62	662833	Trunion bearing
18	150391	1/4 - 20 Nylock nut	63	153155	Trunion washer
19	709063	Belt guide	64	153262	1-1/4 Retainer ring
20	382689	5/16 - 24 x 5/8 Bolt	65	709246	Hex shaft
21	153015	3/8 - 16 x 1-1/4 Bolt	66	382671	Retainer ring
22	709097	Idler lever	67	709287	Friction disc
23	170530	Idler pulley	68	709162	Traction shaft
24	159657	3/8 - 16 Jam nut	69	317016	1/8 x 1 Cotter pin
25	310151	5/16 - 18 Nylock nut	70	709147	Traction spring lever
26	382754	Bushing idler lever	71	449587	1/4 - 20 x 5/8 Bolt
27	153247	5/16 x 1-1/4 Flat washer	72	662858	Clutch spring return
28	450346	5/16 - 18 x 3/4 Bolt	73	709295	Traction hex shaft
29	775718	Idler spring	74	382788	Washer
30	709055	Traction pulley	75	708982	Ball bearing
31	382713	Crankshaft washer	76	380113	Shear bolt
32	382747	Pulley spacer	77	616375	1/4 - 20 locknut
33	709147	Traction belt	78	708784	Wheel bushing
34	709212	Traction pulley	79	042846	13 x 5 00-6 wheel (HOG)
35	382211	Wave washer	80	708156	3/4 x 1-1/8 Washer
36	382697	1/4 x 1 Flat washer	81	709311	Axle bearing
37	715094	1/4 Split lockwasher	82	663476	Retainer ring
38	382705	1/4 - 20 x 5/8 Bolt	83	709329	Sprocket 35 T
39	382796	3/16 Square key	84	153148	1/4 - 20 x 2-1/4 Bolt
40	715417	3/8 Flat washer	85	312082	5/16 - 18 x 1/2 Bolt
41	616375	1/4 - 20 Lock nut	86	153619	Click pin
42	709196	Cam brake arm	87	630111	(Not shown) electric start model 5230
43	715185	5/16 Flat washer	88	409375	(Not shown) electric start model 8250
44	150011	1/4 - 20 x 5/8 Carr. bolt			



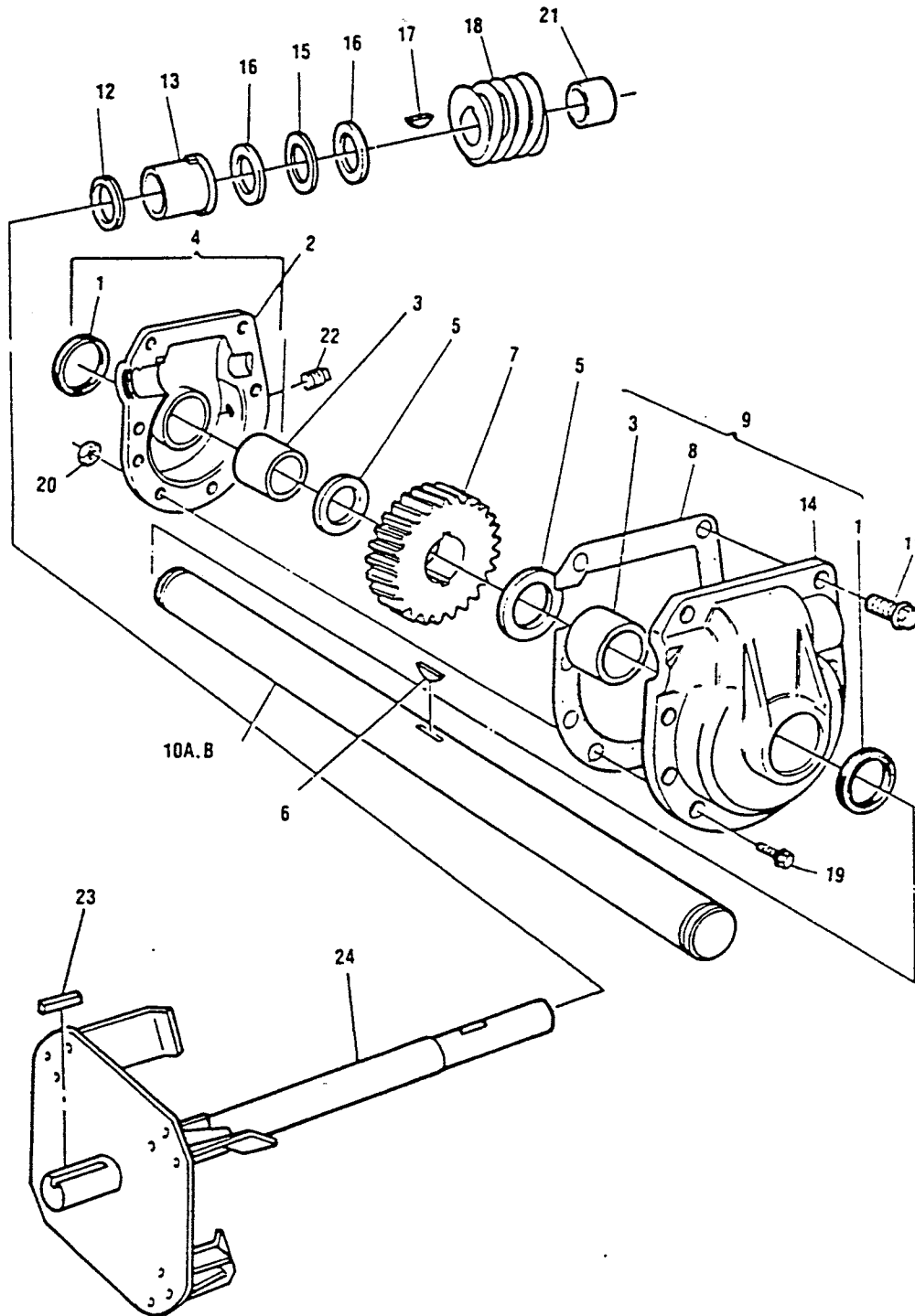
# Auger Housing Assembly

Model: SC5230 L  
 SC8250 L  
 23" 5 HP & 25" 8 HP Dual-Stage Snowthrowers

Reference No.	Part No.	Description
1	709337	Chute extension
2	709345	Flange
4	697698	Retainer
5	458232	8-32 x 1/2 bolt
6	154096	8-32 locknut
7	313510	5/16-18 x 3/4 carriage bolt
8	715185	5/16 flat washer
9	311118	5/16 lockwasher
10	310045	5/16 hex nut
11	709352	Chute deflector
12	672972	Plastic washer
13	673509	Wing knob
14	461996	7/16 flat washer
15	313502	5/16-18 x 1 carriage bolt
16	715417	3/8 flat washer
17	709527	Return spring
18	310151	5/16-18 locknut
19	709519	Pad, auger impeller brake
20	153106	5/32 x 7/8 roll pin
21	708982	Ball, bearing
22	709360	Auger pulley 6.5"
23	446583	3/16 key
24	667816	Retainer, bearing
25	666677	Wire chute hinge
26	457523	5/16-18 x 3/4 self tapping screw
27	662569	Height adjustor
28A	709378	Auger housing 23"
28B	709386	Auger housing 25"
29A	709394	23" scraper bar
29B	709402	25" scraper bar
30	707661	Bushing auger shaft
31	153387	Washer
32A	709410	23" serrated auger R.H.
32B	709428	25" serrated auger R.H.
33A	709436	23" serrated auger L.H.
33B	709444	25" serrated auger L.H.
34	708206	1/4-20 x 1-3/4 bolt
35	152967	1/4-20 locknut
36	672980	Spacer
37A	709451	23" gear box assembly
37B	709469	25" gear box assembly
38	677690	Decal - Danger
39	677682	Decal - Danger
40	150169	1/4-20 x 1 bolt
41	452615	1/4-20 locknut
42	709477	Side plate L.H.
43	709485	Side plate R.H.
44	380097	Plastic washer
45	312074	5/16 - 18 x 5/8 Bolt GR2
46	460824	1/2 washer
47	616375	1/2 - 20 locknut
48	709493	Spacer impeller
49	709501	Rod, brake arm

Model: SC5230 L  
SC8250 L  
23" 5 HP & 25" 8 HP Dual-Stage Snowthrowers

### Gear Box Assembly



# Gear Box Assembly

Model: SC5230 L  
 SC8250 L  
 23" 5 HP & 25" 8 HP Dual-Stage Snowthrowers

Reference No.	Part No.	Description
1	707471	Seal
2	707547	Housing L.H.
3	707463	Bearing
4	707455	Housing assembly L.H.
5	707430	Race thrust
6	153353	Key Woodruff #91
7	707422	Worm gear
8	707448	Gasket
9	707489	Housing assembly R.H.
10A	662494	25" auger shaft
10B	662486	23" auger shaft
11	153361	5/16-24 x 1-1/2 bolt
12	153346	Ring quad
13	583126	Bearing impeller shaft
14	707539	Housing R.H.
15	707562	Bearing needle
16	612861	Race thrust
17	153080	Key 3/16"
18	707513	Worm
19	153064	5/16-24 x 1 bolt
20	153189	5/16-24 flange locknut
21	707505	Bearing impeller shaft
22	153288	Grease plug
23	446583	3/16" key
24	709535	Impeller shaft assy.
	709451	23" gear box assembly (complete)
	709469	25" gear box assembly (complete)