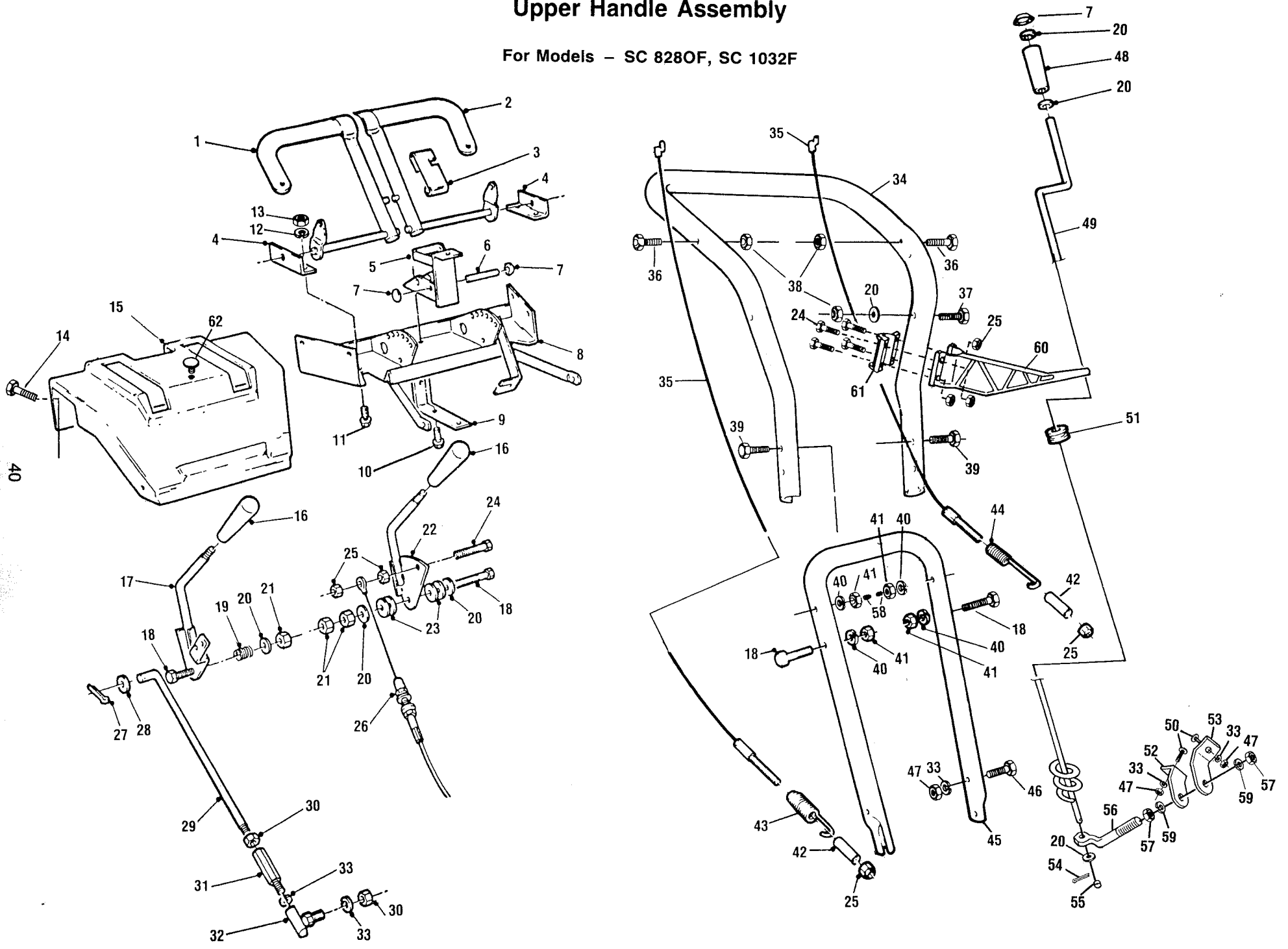


Upper Handle Assembly

For Models - SC 828OF, SC 1032F



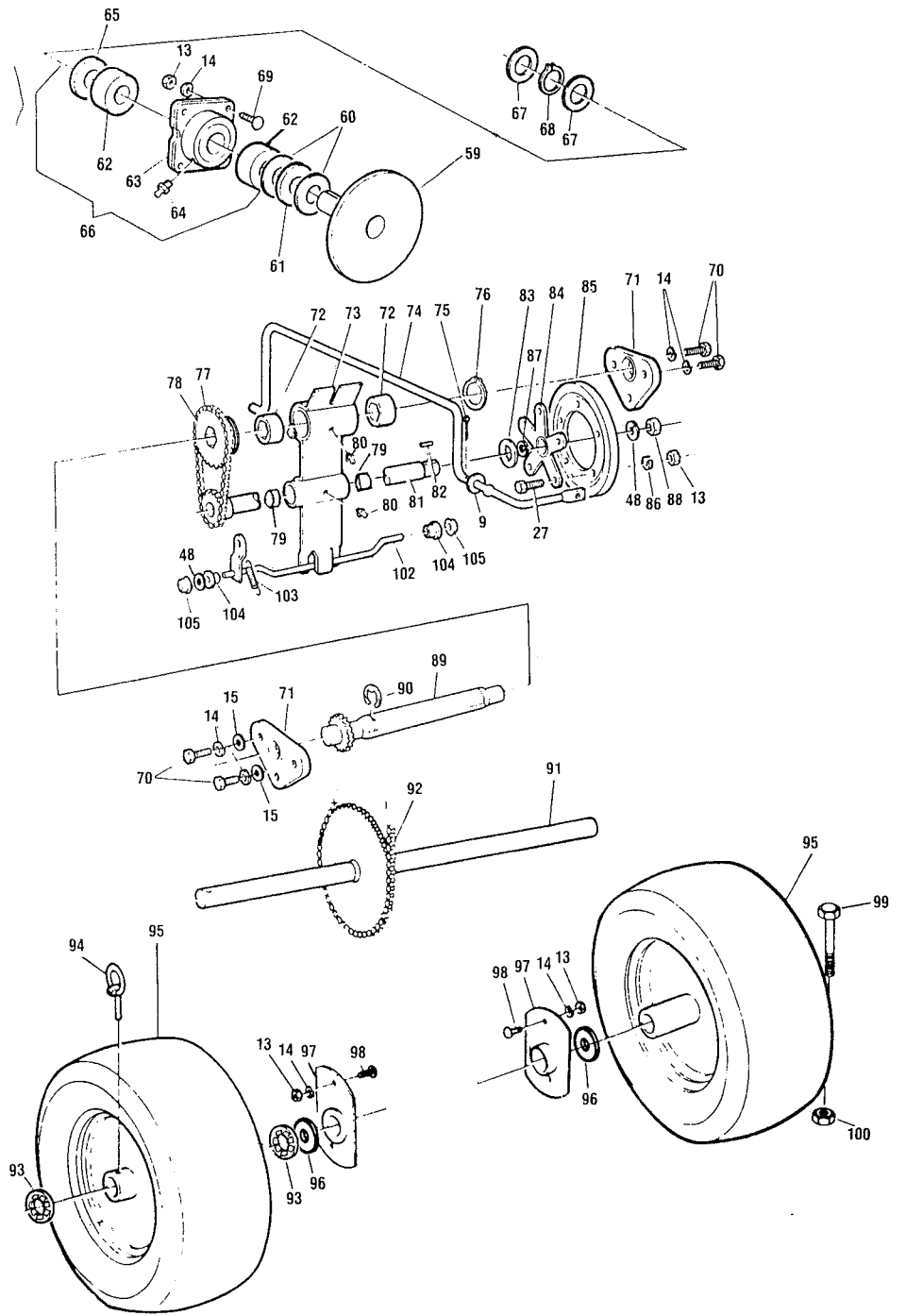
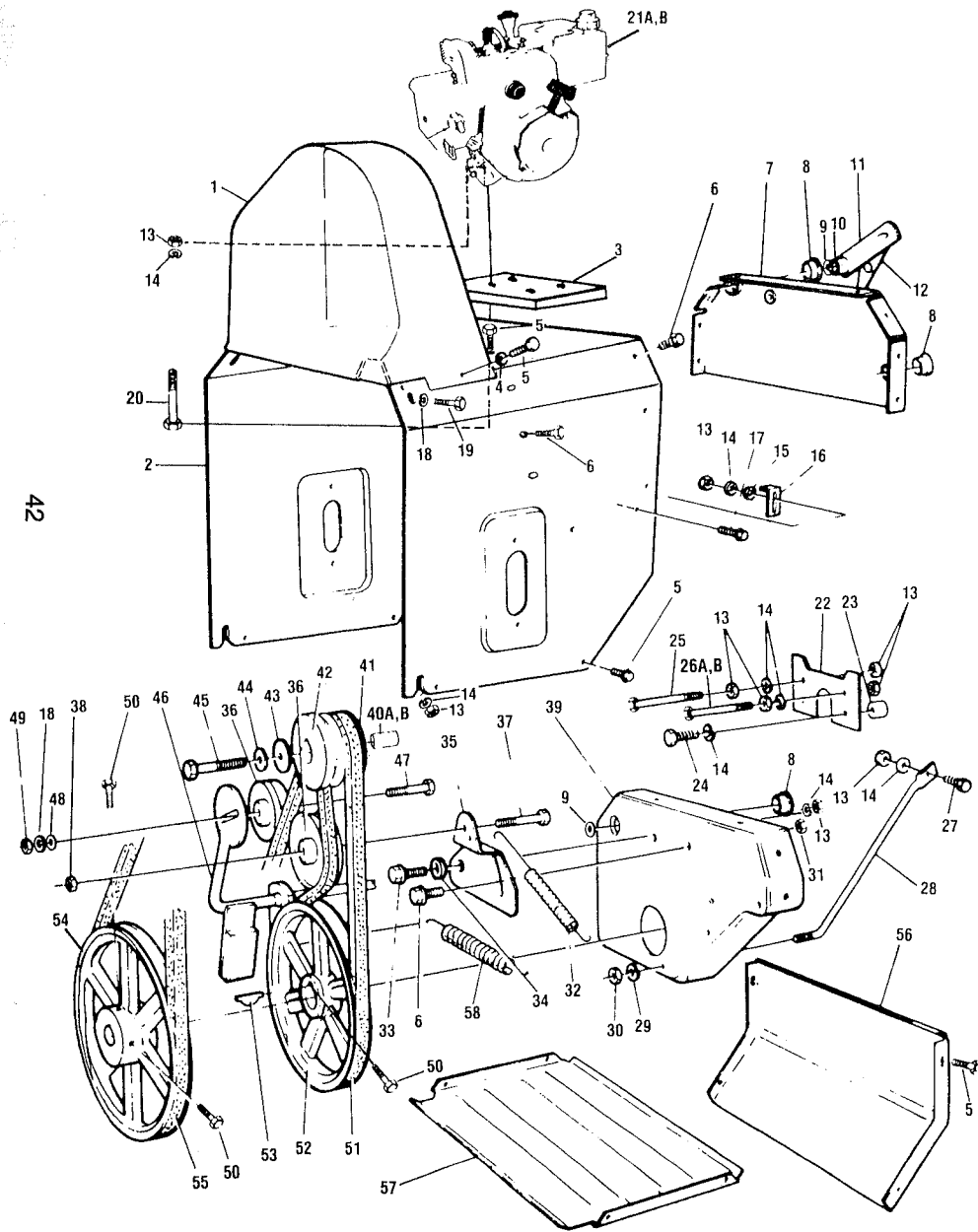
Upper Handle Assembly

Index for Models – SC 8280F, SC 1032F

Ref. No.	Part No.	Description	Ref. No.	Part No.	Description
1	664722	Clutch handle R.H.	32	707372	Ball joint
2	664780	Clutch handle L.H.	33	311118	5/16 lockwasher
3	664748	Cam lock	34	697656	Upper handle
4	657361	Clutch handle bracket	35	645655	Clutch cable
5	657429	Bracket light	36	150250	5/16-18 x 1-1/2 bolt
6	657411	Pin latch	37	312280	5/16-18 x 1-3/4 bolt
7	152926	3/8 cap retainer	38	715177	5/16-18 locknut
8	664755	Console bracket remote	39	456780	3/8-16 x 2-1/2 bolt
9	657312	Bracket console support	40	150185	3/8 lockwasher
10	315085	5/16-18 x 1/2 self tapping screw	41	715391	3/8-16 hex nut
11	715052	1/4-20 x 1/2 bolt	42	657270	Spacer
12	715094	1/4 lockwasher	43	645622	Spring auger clutch
13	310052	1/4-20 hex nut	44	707612	Spring drive clutch
14	153007	1/4-20 x 1/2 self tapping screw	45	657254	Lower handle
15	657353	Console Remote	46	312066	5/16-18 x 3/4 bolt
16	744243	Control knob	47	310045	5/16-18 hex nut
17	657288	Speed control lever	48	672253	Handle crank
18	312322	3/8-16 x 1-3/4 bolt	49	663278	Crank
19	645630	Spring	50	313510	5/16-18 x 3/4 carriage bolt
20	715417	3/8 flat washer	51	672220	Grommet
21	451195	3/8-16 locknut	52	697664	Bracket chute rotate L.H.
22	657304	Deflector lever remote	53	697672	Bracket chute rotate R.H.
23	645648	Spring washer	54	151472	3/32 x 1 cotter pin
24	150169	1/4-20 x 1 bolt	55	672956	Plastic cap
25	150391	1/4 x 20 locknut	56	664771	Rod chute control
26	645697	Remote chute cable	57	157339	1/2-20 jam nut
27	715029	3/32 x 3/4 cotter pin	58	672964	Plastic stop
28	715185	5/16 flat washer	59	311035	1/2 lockwasher
29	657296	Rod speed control	60	663252	Bracket crank
30	152934	5/16-24 hex nut	61	663260	Bracket clamp crank
31	664763	Adaptor	62	457523	5/16-18 x 3/4 self tapping screw
				630160	(Not shown) Light kit with out alternator
				630137	with alternator

Motor Mount Assembly

For Models - A8280F, A1032F, SC8280F, SC1032F
J.C. Penney 4924 Cat.#850-1090



Motor Mount Assembly

For Models - A8280F, A1032F, SC8280F, SC1032F
J.C. Penney 4924 Cat.#850-1090

Ref. No.	Part No.	Description	Ref. No.	Part No.	Description
1	672246	Belt cover (black)	54	707190	Auger pulley 8.4"
2	697771	Motor mount frame	55	707687	Belt auger drive
3	662999	Engine riser	56	663245	Rear panel
4	715300	1/4 flat washer	57	663054	Bottom panel
5	503007	1/4-20 x 1/2 self tapping screw	58	664813	Spring auger brake
6	315085	5/16-18 x 1/2 self tapping screw	59	729905	Friction disc assembly
7	697789	End plate	60	152959	Race thrust
8	672204	Plastic bushing	61	707562	Needle bearing
9	460824	1/2 flat washer	62	423228	Needle bearing
10	153106	5/32 x 7/8 roll pin	63	707711	Spindle housing
11	662973	Lever auger clutch	64	707729	Grease fitting
12	662981	Lever clutch cable	65	707760	Seal
13	310045	5/16-18 hex nut	66	707570	Spindle housing
14	311118	5/16 lockwasher	67	461830	Race thrust
15	715185	5/16 flat washer	68	153296	3/4 ring retainer
16	662916	Bracket clutch adjustment	69	313510	5/16-18 x 3/4 carriage bolt
17	313510	5/16-18 x 3/4 carriage bolt	70	312082	5/16-18 x 1/2 bolt
18	150185	3/8 lockwasher	71	707737	Drive bushing
19	157347	3/8-16 x 1 self tapping screw	72	423475	Drive shaft hex bearing
20	312306	5/16-18 x 2-1/2 bolt	73	428425	Clutch plate
21A		8 HP Tecumseh engine	74	763342	Yoke speed
21B		10 HP Tecumseh engine	75	715029	3/32 x 3/4 cotter pin
22	663005	Belt guide plate	76	790709	Retainer
23	153569	Spacer	77	707984	Chain
24	153064	5/16-24 x 1 bolt	78	707976	Drive sprocket
25	154146	5/16-18 x 3 bolt	79	664821	Bearing clutch
26	157354	5/16-18 x 2-3/4 bolt	80	415737	Grease fitting
27	312066	5/16-18 x 1-3/4 bolt	81	664342	Shaft gear assembly
28	783845	Rod spindle support	82	446690	1/8 key
29	715094	1/4 lockwasher	83	461882	Washer
30	310052	1/4-20 hex nut	84	707950	Hub friction wheel
31	715177	5/16-18 locknut	85	707968	Friction wheel
32	707695	Spring drive idler	86	153510	5/16 external tooth lockwasher
33	157362	5/16-18 x 3/4 shoulder bolt	87	150185	3/8 lockwasher
34	461996	7/16 flat washer	88	310029	3/8-24 hex nut
35	771246	Idler bracket	89	663369	Hex shaft
36	419762	3" idler pulley	90	664839	Retainer
37	153015	3/8-16 x 1-1/4 bolt	91	664326	Axle
38	715524	3/8-16 jam nut	92	707802	Chain
39	664797	Spindle plate	93	663476	Retainer
40	664805	Engine pulley spacer	94	153619	Click pin
41	707745	Pulley traction drive	95	041558	Wheel (silver hub)
42	707752	Pulley auger drive	96	153239	Washer
43	153031	Washer	97	664334	Axle bracket
44	153023	3/8 lockwasher	98	313510	5/16-18 x 3/4 carriage bolt
45	157370	3/8-24 x 1-1/4 bolt	99	312090	1/4-20 x 1-1/2 bolt GR 5
46	662965	Auger clutch rod	100	152967	1/4-20 locknut
47	312272	3/8-16 x 1-1/2 bolt	101	663286	(Not shown) Tire chain kit (8280 & 1032 & 4924)
48	715417	3/8 flat washer	102	763417	Yoke drive
49	715524	3/8-16 jam nut	103	775684	Spring clutch yoke return
50	153977	5/16-18 x 3/4 bolt	104	707638	Bushing
51	707556	Belt traction drive	105	657403	3/8 cap retainer
52	419648	Traction pulley 7"		630129	(Not shown) Electric start
53	153080	5/16 key			

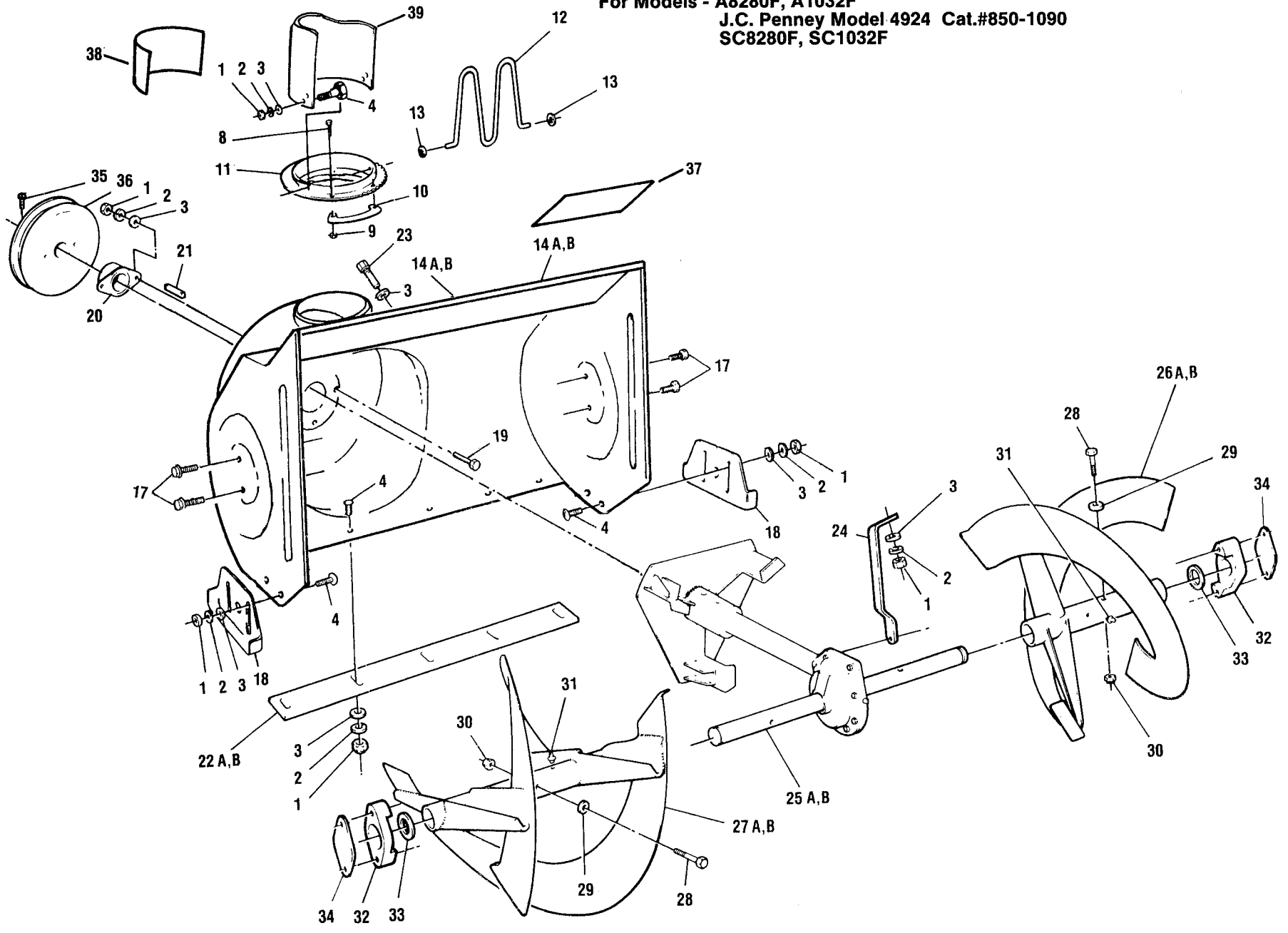
When ordering parts for J.C. Penney, please state color.

Auger Housing Assembly

For Models - A8280F, A1032F

J.C. Penney Model 4924 Cat.#850-1090

SC8280F, SC1032F



Auger Housing Assembly

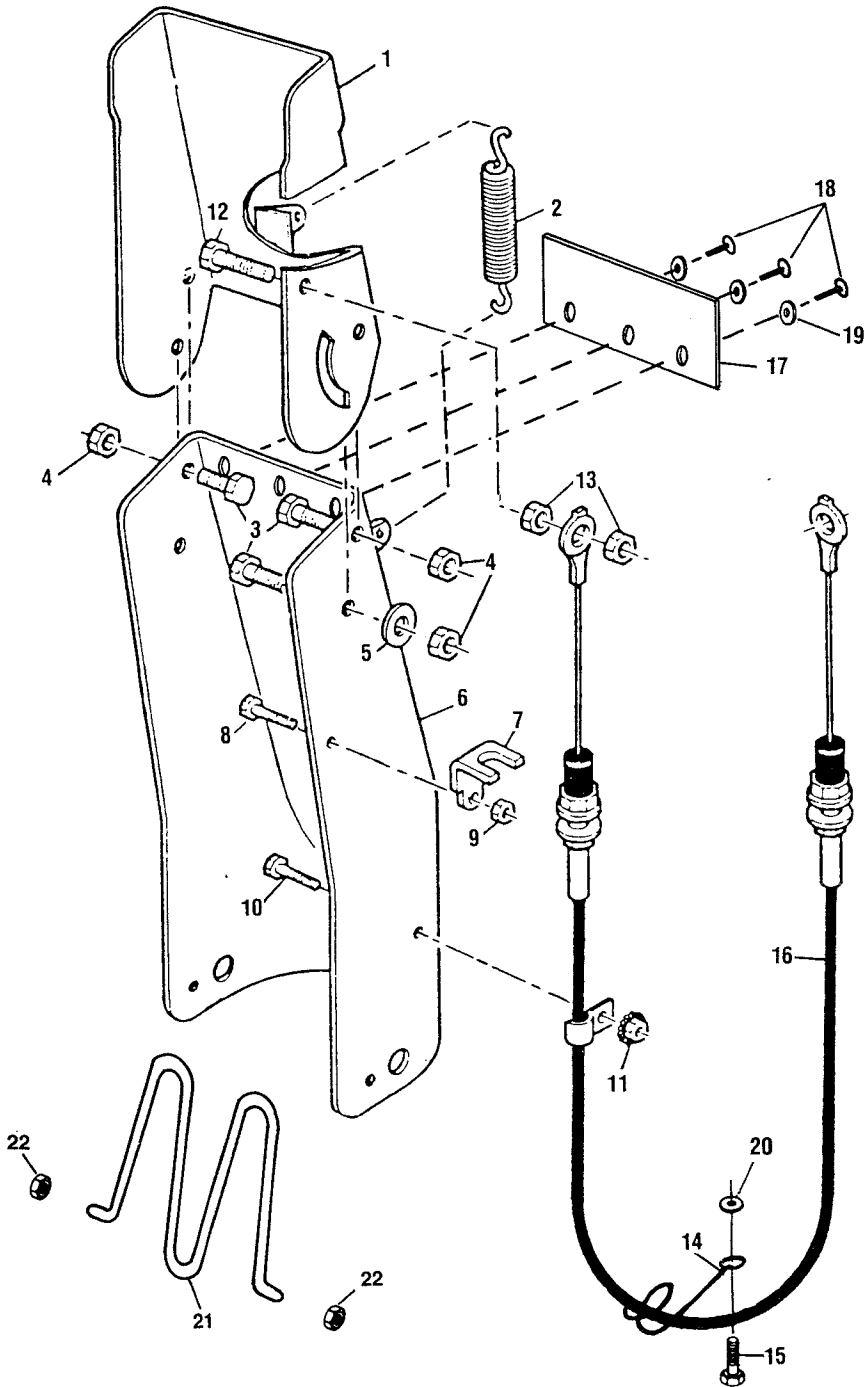
Index for Models - A8280F, A1032F
 J.C. Penney Model 4924 Cat.#850-1090
 SC8280F, SC1032F

Reference No.	Part No.	Description
1	310045	5/16-18 hex nut
2	311118	5/16 lockwasher
3	715185	5/16 flatwasher
4	313510	5/16-18 x 3/4 carriage bolt
5	157321	5/16-18 x 3/4 pan head slotted bolt
6	313502	5/16-18 x 1 carriage bolt
7	461996	7/16 flat washer
8	458232	8-32 x 1/2 bolt
9	154096	8-32 locknut
10	790659	Retainer
11	663153	Flange
12	708172	Hand guard
13	715102	3/16 retainer
14A	697730	Auger housing 28"
14B	697748	Auger housing 32"
17	457523	5/16-18 x 3/4 self tapping screw
18	662569	Height adjustor
19	312074	5/16-18 x 5/8 bolt
20	662460	7/8 bearing
21	707943	3/16 key
22A	663096	28" scrapper bar
22B	663088	32" scrapper bar
23	312058	5/16-18 x 1 bolt
24	697763	Gear box brace
25A	707653	28" gear box assembly
25B	707646	32" gear box assembly
26A	663120	28" serrated auger L.H.
26B	663112	32" serrated auger L.H.
27A	663146	28" serrated auger R.H.
27B	663138	32" serrated auger R.H.
28	153494	5/16-18 x 2 bolt
29	153692	Spacer
30	715177	5/16-18 locknut
31	415687	Grease fitting
32	707661	Bushing auger shaft
33	153700	Washer
34	153718	Spacer
35	153577	5/16-18 x 3/4 bolt
36	419713	Auger pulley 8.5"
37	677682	Decal - Danger
38	677690	Decal - Danger
39	664698	Chute extension remote (See Remote chute assembly)

When ordering parts for J.C. Penney, please state color.

Remote Chute Assembly

For Models - SC 828OF, SC1032F



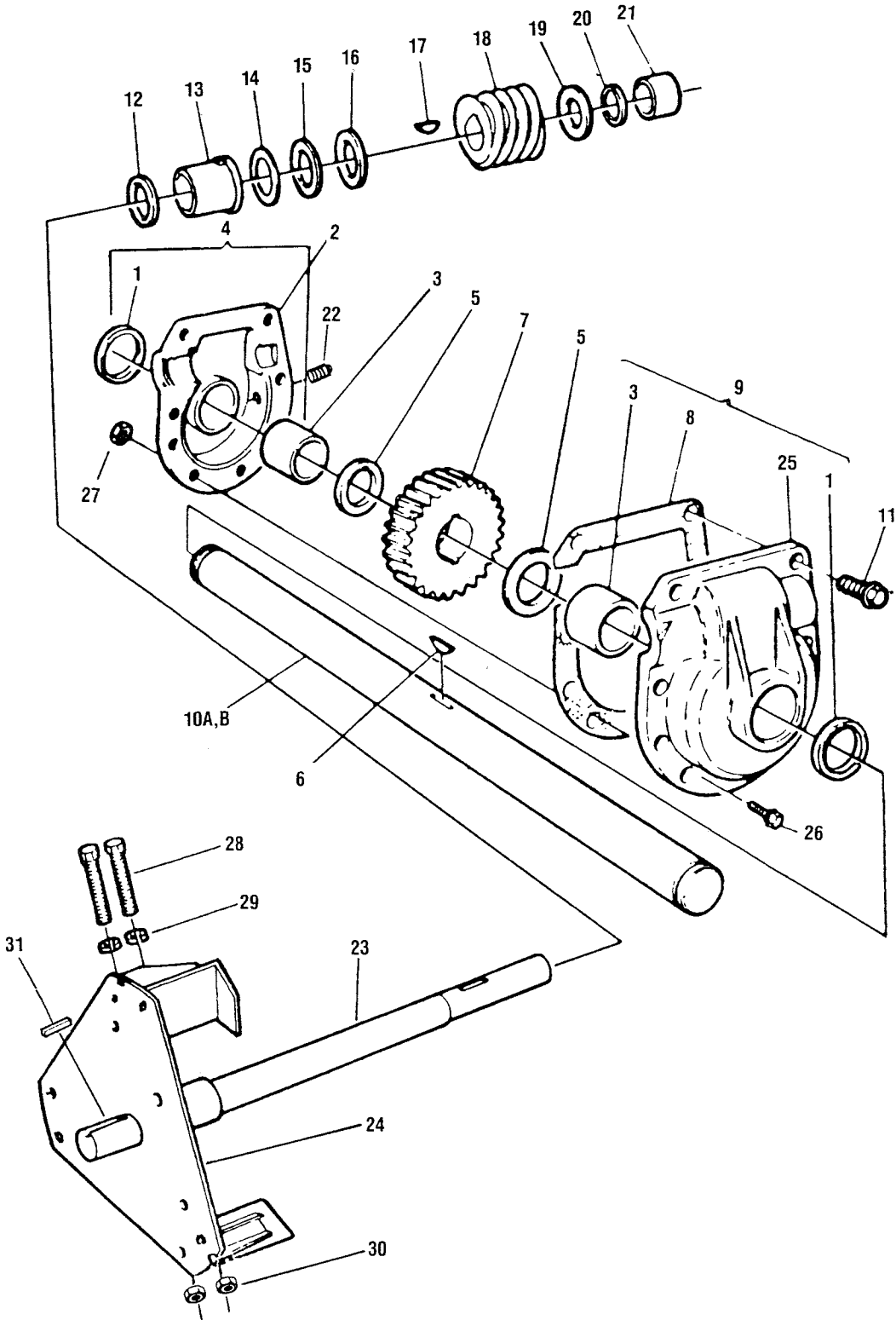
Remote Chute Assembly

Index for Models – SC 8280F, SC 1032F

Reference No.	Part No.	Description
1	663203	Chute deflector remote
2	663518	Spring
3	157321	5/16-18 x 3/4 pan head slotted bolt
4	310151	5/16-18 locknut
5	672972	Plastic washer
6	664698	Chute extension remote
7	664706	Bracket cable
8	312082	5/16-18 x 1/2 bolt
9	715177	5/16-18 locknut
10	120048	10-24 x 3/8 bolt
11	715334	10-24 keps nut
12	150169	1/4-20 x 1 bolt
13	150391	1/4 x 20 locknut
14	664714	Remote wire form
15	150250	5/16-18 x 1-1/2 bolt
16	645697	Remote cable
17	707927	Skirt snow chute
18	707935	6/16 rivet
19	462424	#10 - flat washer
20	715185	5/16 flat washer
21	662692	Hand guard
22	715102	Retainer - hand guard

Gear Box Assembly

For Models - A8280, A1032F
J.C. Penney 4924
SC8280F, SC1032F



Gear Box Assembly

For Models - A8280, A1032F

J.C. Penney 4924

SC8280F, SC1032F

Reference No.	Part No.	Description
1	707471	Seal
2	707547	Housing L.H.
3	707463	Bearing
4	707455	Housing assembly L.H.
5	707430	Race thrust
6	153353	Key Woodruff #91
7	707422	Worm gear
8	707448	Gasket
9	707489	Housing assembly R.H.
10A	663328	28" auger shaft
10B	663336	32" auger shaft
11	153486	5/16-24 x 1-3/4 bolt
12	153346	Ring quad
13	153338	Bearing impeller shaft
14	153320	Race thrust
15	153312	Bearing needle
16	153304	Race thrust
17	153080	Key 3/16"
18	707513	Worm
19	152959	Race thrust
20	153296	Ring retainer
21	707505	Bearing impeller shaft
22	153288	Grease plug
23	663344	Impeller shaft
24	663104	Impeller
25	707539	Housing R.H.
26	153064	5/16-24 x 1 bolt
27	153189	5/16-24 flange locknut
28	153148	1/4-20 x 2-1/4 bolt
29	715300	1/4 flat washer
30	152967	1/4-20 locknut
31	707943	3/16 key
	707653	28" gear box assembly (complete)
	707646	32" gear box assembly (complete)