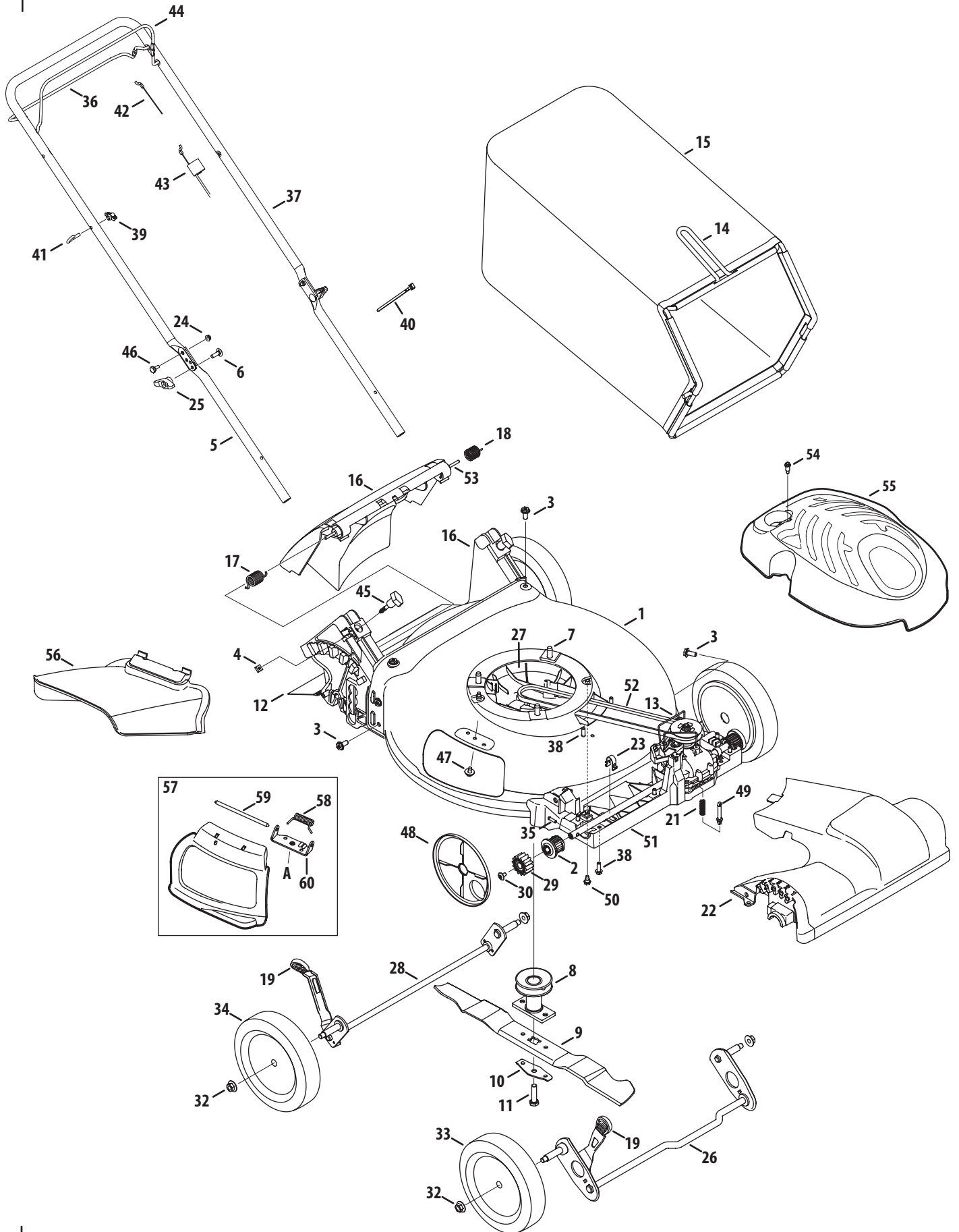


Model Series A2X



Model Series A2X

Ref No.	Part Number	Description
1	787-01871	Deck , 21"
2	641-00019	Bearing Assembly
3	710-04995	Screw, 5/16-14 x .750
4	712-04222	Nut, Sq., 1/4-20
5	749-04608A	Lower Handle
6	710-04998	Carriage Screw ,5/16-18
7	710-0654A	Screw, 3/8-16 x 1.00
8	687-02539	Blade Adapter
	687-02538	Blade Adapter (Kohler)
9	942-0741A	Mulching Blade
10	736-0524B	Blade Bell Support
11	710-1044	Screw, 3/8-24 x 1.50
12	731-07203	Trailing Shield
13	732-04675A	Transmission Wire
14	747-05226	Grass Catcher Frame
15	764-04077A	Grass Bag
16	631-04369	Rear Discharge Door Assembly
17	732-04673	Torsion Spring - RH
18	732-04674	Torsion Spring - LH
19	720-04131A	Adjustment Lever Knob
20	710-05073	Screw, 1/4-20 x .500
21	732-04704	Compression Spring
22	731-07797	Front Cover
23	787-01793	Front Axle Clip
24	712-04064	Nut, Flange Lock, 1/4-20
25	720-04122	Wing Knob
26	911-04150	Front Axle Assembly
27	931-04535	Engine Baffle
28	911-04142	Rear Axle Assembly
29	917-04801	Spur Gear, 14T - RH
	917-04802	Spur Gear, 14T - LH
30	710-04531	Screw, 1/4-20 x .390

Ref No.	Part Number	Description
31	918-04881A	Transmission Assembly
32	712-04217	Flange Lock Nut, 3/8-16
33	734-04581	Front Wheel
34	734-04563	Rear Wheel
35	715-04099	Dowel Pin
36	747-05210A	Drive Control
37	749-04680	Upper Handle
38	710-0895	Screw, 1/4-15 x .750
39	720-0279	Knob
40	725-0157	Cable Tie
41	710-1205	Rope Guide
42	946-1114	Control Cable
	946-1113	Control Cable (Kohler)
43	946-04728	Drive Cable
44	747-05184A	Blade Control
45	720-04123A	Wing Nut
46	738-04419A	Sldr. Screw, .375 x .126 x 1/4-20
47	710-05073	Screw, 1/4-20 x .500
48	731-07240	Wheel Dust Cover
49	731-07355	Spring Body
50	738-04278	Scr., Shldr., 1/4-20 x .50
51	731-07789	Lower Tray
52	954-04259A	V-Belt
53	747-05183	Pivot Rod
54	710-04744†	Screw, #12-16 x 1.00
55	931-04437†	Engine Shroud
56	731-07486	Side Discharge Chute
57	987-02516	Mulch Plug (Incl. 58-60)
58	732-1014	Torsion Spring
59	747-0710A	Hinge Pin
60	787-01779	Chute Deflector Bracket

† If Equipped