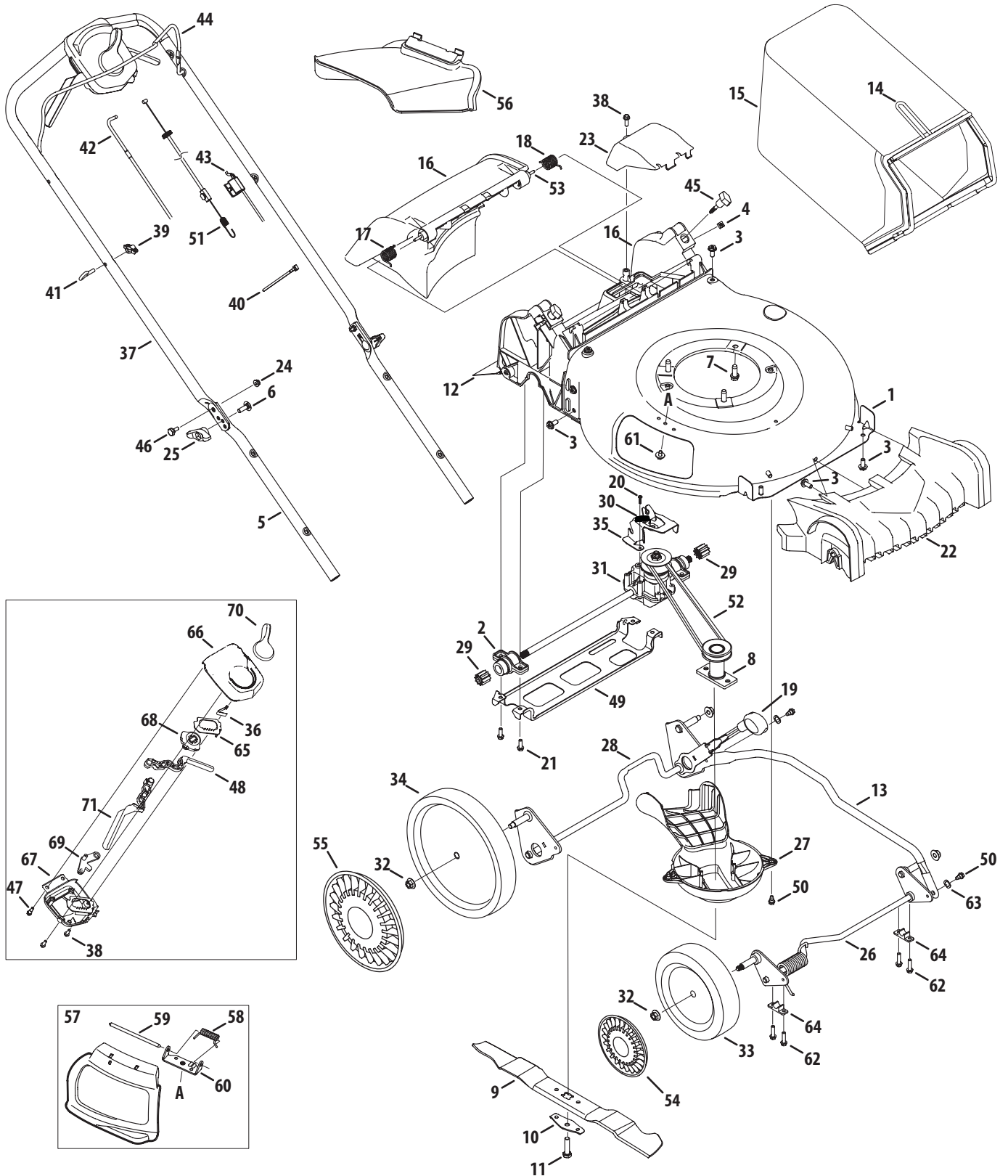


Model Series D3X



Ref No.	Part Number	Description
1	787-01869	Deck , 21"
2	631-04501	Bearing Assembly
3	710-04995	Screw, 5/16-14 x .750
4	712-04222	Nut, Sq., 1/4-20
5	749-04608A	Lower Handle
6	710-04998	Carriage Screw ,5/16-18
7	710-0654A	Screw, 3/8-16 x 1.00
8	687-02220	Blade Adapter
9	942-0741A	Mulching Blade
10	736-0524B	Blade Bell Support
11	710-1044	Screw, 3/8-24 x 1.50
12	731-07203	Trailing Shield
13	749-04705	Cross Bracket
14	747-05362	Grass Catcher Frame
15	764-04097	Grass Bag
	964-04151	Grass Bag (Yardman)
16	631-04553	Rear Discharge Door Assembly
17	732-04673	Torsion Spring - RH
18	732-04674	Torsion Spring - LH
19	720-04096	Adjustment Lever Knob
20	710-04329	Torx Screw
21	710-04774	Screw, 1/4-15 x 1.25
22	731-08057	Front Cover
23	731-07799	Transmission Cover
24	712-04064	Nut, Flange Lock, 1/4-20
25	720-04124	Wing Knob, Red
	720-04122	Wing Knob, Black
26	911-04191	Front Axle Assembly
27	631-04512	Engine Baffle
28	911-04192	Rear Axle Assembly
29	917-04849	Spur Gear, 9T
30	732-04826	Exten. Spring, 2.405
31	918-04971	Transmission Assembly
32	712-04217	Flange Lock Nut, 3/8-16
33	734-04568	Front Wheel
34	634-04699	Rear Wheel
35	787-01868	Transmission Bracket

Ref No.	Part Number	Description
36	732-0627A	Spring
37	749-04701	Upper Handle
38	710-0895	Screw, 1/4-15 x .750
39	720-0279	Knob
40	725-0157	Cable Tie
41	710-1205	Rope Guide
42	946-04726	Drive Cable
43	946-04670	Control Cable
44	747-05330	Blade Control
45	720-04127A	Wing Nut, Red
	720-04123A	Wing Nut, Black
46	738-04419A	Sldr. Screw, .375 x .126 x 1/4-20
47	710-05204	Scr., Shldr, 1/4-15 x .970
48	731-08155	Control Lever LH
49	787-01915	Rear Support Bracket
50	738-04278	Scr., Shldr., 1/4-20 x .50
51	946-04729	Speed Adjustment Cable
52	954-04282	V-Belt
53	747-05183	Pivot Rod
54	731-07001	Hubcap, Grey
55	731-07875	Hubcap, 11", Grey
56	731-07486	Side Discharge Chute
57	987-02516	Mulch Plug (Incl. 58-60)
58	732-1014	Torsion Spring
59	747-0710A	Hinge Pin
60	787-01779	Chute Deflector Bracket
61	710-05073	Screw, 1/4-20 x .500
62	710-1241	Screw, 1/4-15 x 1.000
63	736-04413	Wash., Wave, .385 ID x .598 OD
64	741-0492A	Bushing, Lock, .505 Dia. X .62
65	787-01851	Cable Adjust Plate
66	731-07763	Upper Housing
67	731-07764	Lower Housing
68	731-07804	Speed Adjust Actuator
69	731-07852	Drive Cable Actuator
70	731-08153	Speed Select Lever
71	731-08154	Control Lever RH