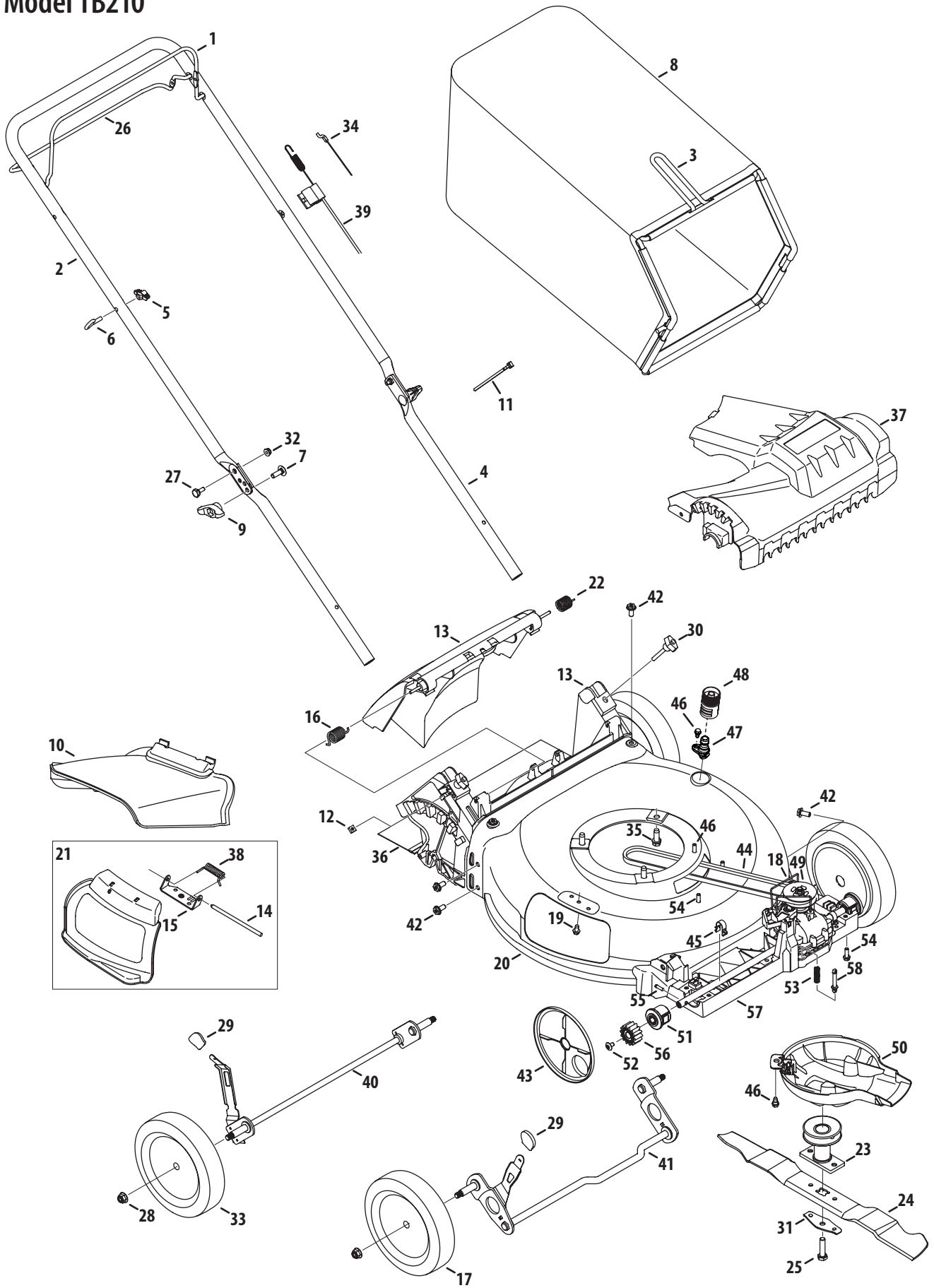


Model TB210



Ref No.	Part Number	Description
1	747-05214	Blade Control
2	749-04681	Upper Handle
3	747-05226	Grass Catcher Frame
4	749-04608A	Lower Handle
5	720-0279	Wing Nut
6	710-1205	Rope Guide
7	710-04998	Carriage Screw ,5/16-18
8	964-04117	Grass Bag
9	720-04124	Wing Knob
10	731-07131	Side Chute
11	725-0157	Cable Tie
12	712-04222	Nut, Sq., 1/4-20
13	631-04369	Rear Discharge Door Assembly
	631-04371	Rear Discharge Door Assembly - (Lowes)
14	747-0710A	Hinge Pin
15	787-01779	Chute Deflector Bracket
16	732-04673	Torsion Spring - RH
17	734-04579	Front Wheel
18	732-04675A	Transmission Wire
19	710-05073	Screw, 1/4-20 x .500
20	787-01872	Deck , 21"
21	987-02516	Hinged Mulch Plug Assembly
22	732-04674	Torsion Spring - LH
23	687-02538	Blade Adapter Assembly
24	942-0741A	Mulching Blade
25	710-1044	Screw , 3/8-24 x 1.50
26	747-05210A	Drive Control
27	738-04419A	Sldr. Screw, .375 x .126 x 1/4-20
28	712-04217	Flange Lock Nut, 3/8-16
29	720-04131A	Adjustment Lever Knob

Ref No.	Part Number	Description
30	720-04127	Wing Nut
31	736-0524B	Blade Bell Support
32	712-04064	Nut, Flange Lock, 1/4-20
33	734-04564	Rear Wheel
34	946-1113	Control Cable
35	710-0654A	TT Sems Screw, 3/8-16 x 1.0
36	731-07203	Trail Shield
37	731-07790	Front Cover
38	732-1014	Torsion Spring
39	946-04728	Drive Cable
40	911-04142	Rear Axle Assembly
41	911-04150	Front Axle Assembly
42	710-04995	Screw, 5/16-14 x .750
43	731-07240	Wheel Dust Cover
44	954-04259A	V-Belt
45	787-01793	Front Axle Clip
46	738-04278	Scr., Shldr., 1/4-20 x .50
47	731-07487	Water Nozzle
48	921-04041	Water Nozzle Adapter
49	918-04881	Transmission Assembly
50	931-04535	Engine Baffle
51	941-00019	Bearing Assembly
52	710-04531	Screw, 1/4-20 x .390
53	732-04704	Compression Spring
54	710-0895	Screw, 1/4-15 x .750
55	715-04099	Dowel Pin
56	917-04801	Spur Gear, 14T - RH
	917-04802	Spur Gear, 14T - LH
57	731-07789	Lower Tray
58	731-07355	Spring Body