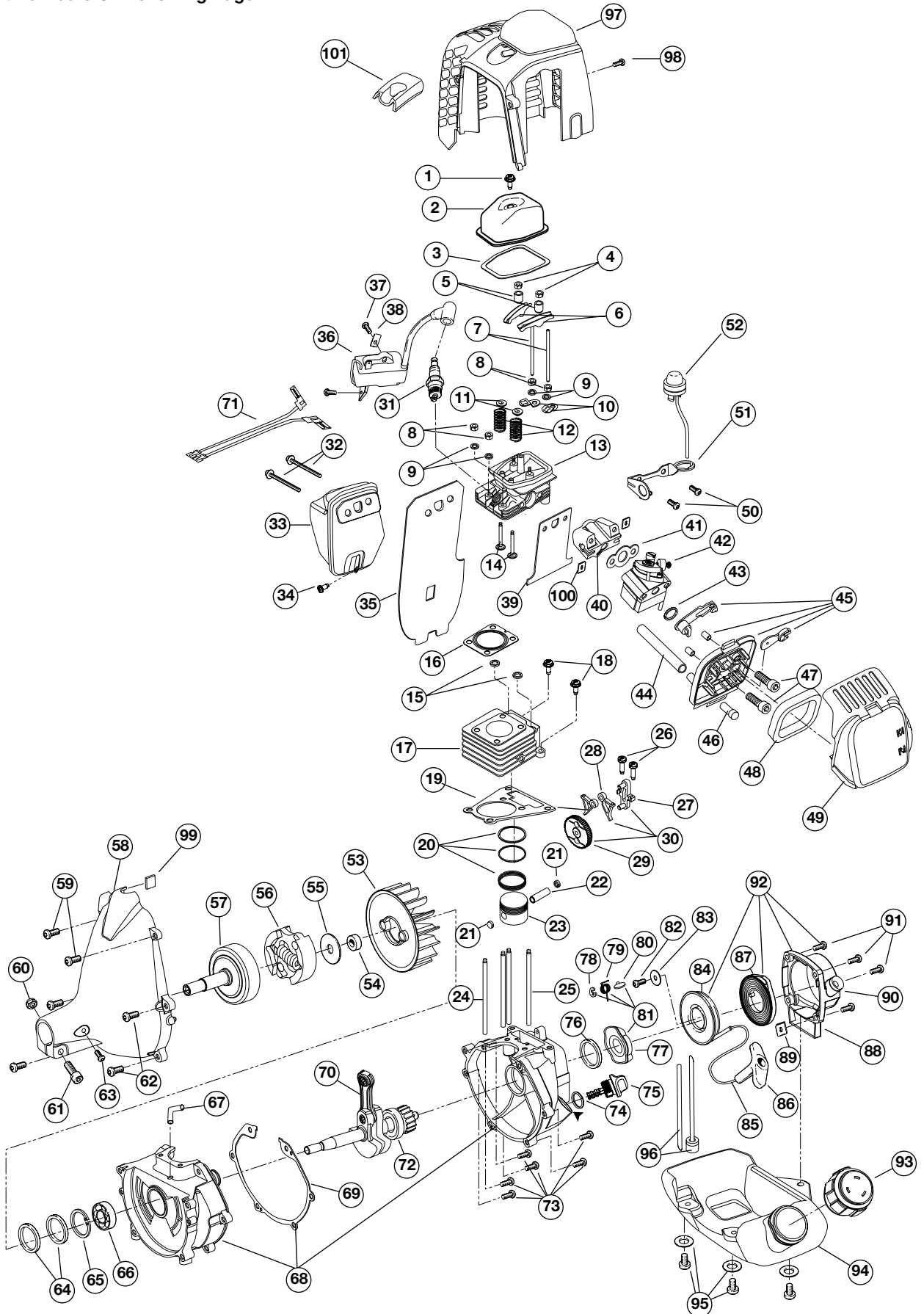


ENGINE PARTS - TROY-BILT MODEL TB4000 4-CYCLE GAS TRIMMER / BRUSH CUTTER (PPN 41ADTB4G063)

Part Numbers On Following Page



ENGINE PARTS - TROY-BILT MODEL TB4000

4-CYCLE GAS TRIMMER / BRUSH CUTTER

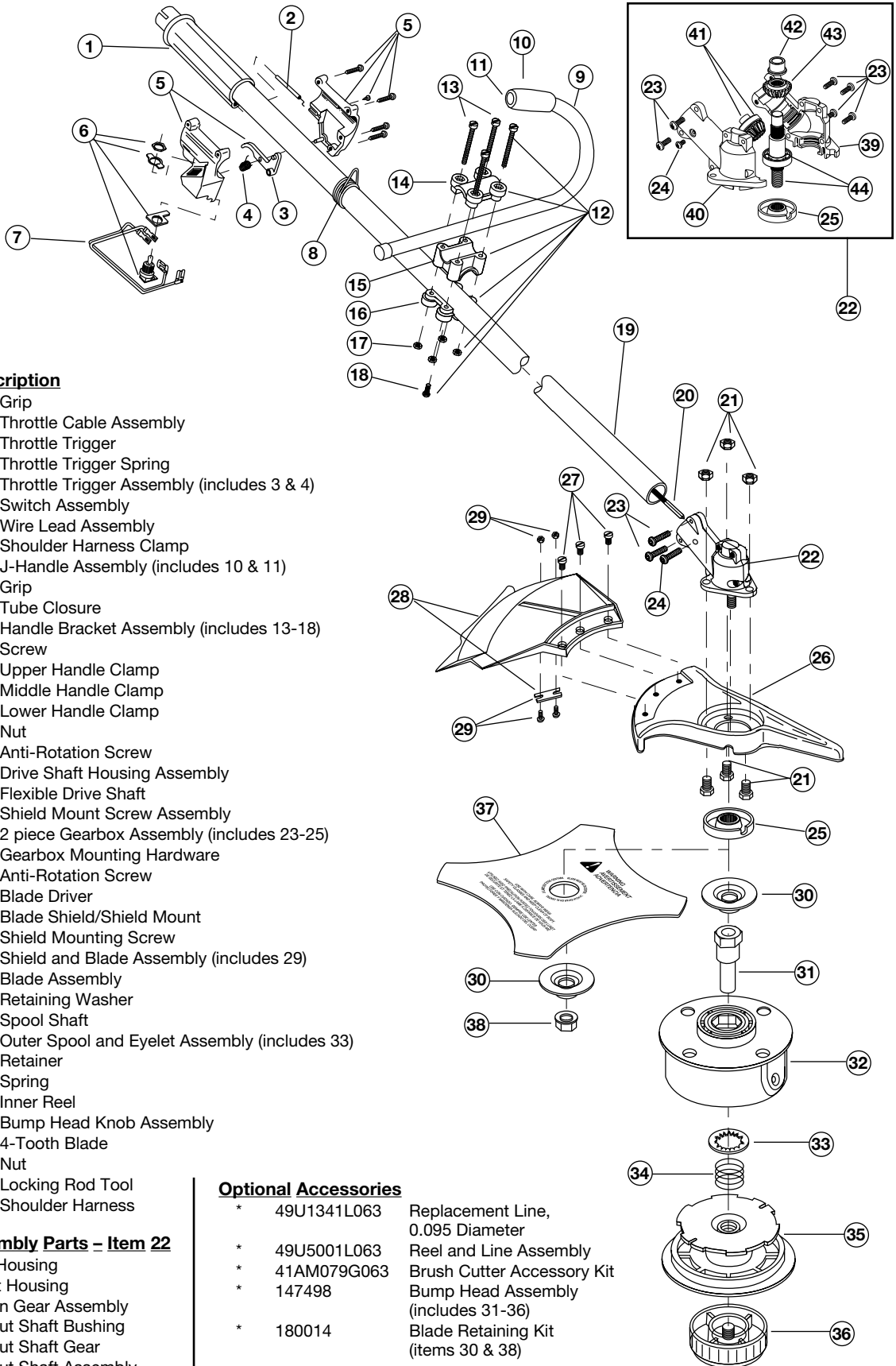
(PPN 4IADTB4G063)

<u>Item</u>	<u>Part No.</u>	<u>Description</u>	<u>Item</u>	<u>Part No.</u>	<u>Description</u>
1	181025	Valve Cover Screw	58	182829	Front Housing
2	182098	Valve Cover	59	181764	Screw
3	182099	Valve Cover Gasket	60	181761	Nut
4	182340	Rocker Adjustment Nut	61	181760	Engine Bolt
5	182101	Rocker Arm Pivot	62	181003	Screw
6	182100	Rocker Arm	63	182188	Anti-Rotation Screw
7	181033	Push Rod	64	182127	Oil Seal
8	181034	Hex Nut	65	182128	Snap Ring
9	181035	Washer	66	182134	Bearing
10	182102	Push Rod Guide	67	182375	90° Elbow
11	182103	Valve Spring Retainer	68	182593	Crankcase (includes 69, 72 & 73)
12	181038	Valve Spring	69	182136	Crankcase Gasket
13	182306	Cylinder Head with Valve Seal (includes 10-14)	70	182139	Crankshaft
14	181040	Valve	71	182126	Lead Wire
15	181000	O-Ring	72	182138	Bearing
16	181001	Cylinder Head Gasket	73	182147	Screw
17	182132	Cylinder	74	181021	O-Ring
18	181003	Screw (M5 x 18.7mm)	75	182289	Oil Cap Dipstick (includes 74)
19	181004	Cylinder Gasket	76	182142	Oil Seal
20	182295	Piston Ring Set (3 Piece Oil Ring)	77	182187	Pulley with Nut
21	181008	Wrist Pin Button	78	181747	Retaining Ring
22	181006	Wrist Pin	79	181746	Spring
23	182300	Piston (3 Piece Oil Ring)	80	181745	Ratchet
24	181010	Cylinder Stud (83.5mm)	81	182118	Pulley Assembly (includes 77-80)
25	181011	Cylinder Stud (115.5mm)	82	181740	Screw
26	181012	Cam Bracket Screw	83	181741	Washer
27	181013	Cam Bracket	84	181738	Recoil Pulley
28	182123	Cam Follower (Chromed)	85	181742	Rope
29	182124	Cam Gear	86	181079	Pull Handle
30	182125	Cam Bracket Assembly (includes 26-29)	87	181739	Recoil Spring
31	180852	Spark Plug	88	182120	Recoil Case (includes 89 & 90)
32	182105	Muffler Mounting Screw	89	182121	Square Nut
33	182106	Muffler	90	182122	Rope Guide
34	181020	Screw	91	182143	Screw
35	182107	Muffler Gasket	92	182117	Recoil Case Assembly (includes 82-91)
36	182108	Module	93	181083	Fuel Cap
37	181066	Screw	94	182130	Fuel Tank
38	611063	Ground Tab	95	182830	Screw with Washer
39	182131	Insulator Gasket	96	182129	Fuel Line Assembly
40	182109	Insulator	97	182831	Engine Cover
41	182270	Carburetor Gasket	98	182146	Screw
42	182110	Carburetor	99	182157	Wire Grommet
43	181751	O-Ring, Carburetor	100	182159	Nut
44	182096	Breather Hose	101	182293	Spark Plug Cover
45	182111	Air Cleaner Assembly	*	182595	Crankcase Assembly (includes 24, 25 & 64-76)
46	182097	Breather assembly	*	182594	Short Block Assembly (includes 1-30, & 64-76)
47	182133	Screw	*	182307	Valve Stem Seal
48	182116	Air Filter	*	182153	Spark Arrestor Screen
49	182115	Air Cleaner Cover	*	182156	AC-10 Carburetor Repair Kit
50	182105	Screw			
51	182589	Throttle Cable Bracket			
52	181054	Primer and Line Assembly	*		Parts not shown
53	182113	Flywheel			
54	181731	Spacer			
55	182074	Clutch Washer			
56	181730	Clutch			
57	180232	Clutch Drum			

BOOM AND TRIMMER PARTS - TROY-BILT MODEL TB4000

4-CYCLE GAS TRIMMER / BRUSH CUTTER

(PPN 41ADTB4G063)



Item	Part No.	Description
1	180866	Grip
2	181688	Throttle Cable Assembly
3	180975	Throttle Trigger
4	610314	Throttle Trigger Spring
5	181689	Throttle Trigger Assembly (includes 3 & 4)
6	180252	Switch Assembly
7	181690	Wire Lead Assembly
8	610327	Shoulder Harness Clamp
9	182832	J-Handle Assembly (includes 10 & 11)
10	612831	Grip
11	612021	Tube Closure
12	683295	Handle Bracket Assembly (includes 13-18)
13	181811	Screw
14	181812	Upper Handle Clamp
15	181813	Middle Handle Clamp
16	181814	Lower Handle Clamp
17	181815	Nut
18	145569	Anti-Rotation Screw
19	181691	Drive Shaft Housing Assembly
20	182833	Flexible Drive Shaft
21	182200	Shield Mount Screw Assembly
22	182193	2 piece Gearbox Assembly (includes 23-25)
23	182195	Gearbox Mounting Hardware
24	182519	Anti-Rotation Screw
25	182196	Blade Driver
26	147492	Blade Shield/Shield Mount
27	683304	Shield Mounting Screw
28	182189	Shield and Blade Assembly (includes 29)
29	682061	Blade Assembly
30	147490	Retaining Washer
31	612483	Spool Shaft
32	683301	Outer Spool and Eyelet Assembly (includes 33)
33	612026	Retainer
34	610636	Spring
35	147495	Inner Reel
36	180814	Bump Head Knob Assembly
37	49M5873L063	4-Tooth Blade
38	181699	Nut
*	613226	Locking Rod Tool
*	682075	Shoulder Harness

2 Piece Gearbox Assembly Parts - Item 22

39	182191	Left Housing
40	182192	Right Housing
41	182194	Pinion Gear Assembly
42	182199	Output Shaft Bushing
43	182198	Output Shaft Gear
44	182197	Output Shaft Assembly (includes 42 & 43)

Optional Accessories

*	49U1341L063	Replacement Line, 0.095 Diameter
*	49U5001L063	Reel and Line Assembly
*	41AM079G063	Brush Cutter Accessory Kit
*	147498	Bump Head Assembly (includes 31-36)
*	180014	Blade Retaining Kit (items 30 & 38)
*		Items Not Shown