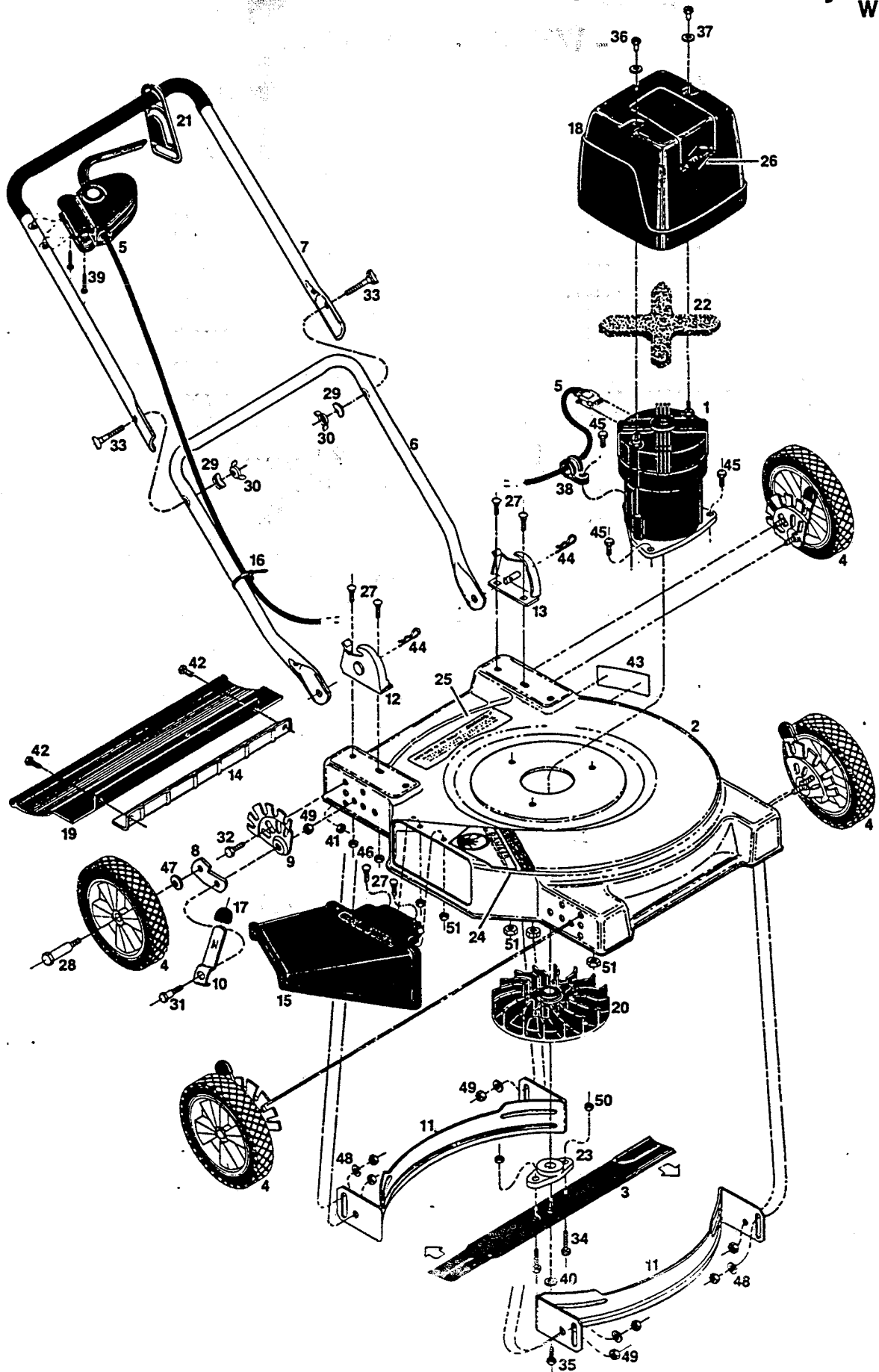


19" Electric Rotary Mower W-19ED



19" Electric Rotary Mower W-19ED

PARTS LIST

Index No.	Part No.	Description	Index No.	Part No.	Description
1		Electric Motor	27	150011	Carriage Bolt 1/4-20 x 5/8
2	029991	Deck 19"	28	150060	Wheel Bolt
3	030247	Blade—19" Electric	29	150201	Curved Washer 5/16
4	040246	Wheel 7" Plastic White	30	150235	Wingnut 5/16-18
5	050401	Control—Two Action*	31	150896	Shoulder Bolt —Ht. Adj.
6	070102	Handle—Lower	32	150904	Shaved Head Bolt 3/8-16 x 3/4
7	071126	Handle—Upper	33	151928	Curved Head Bolt 5/16-18
8	090282	Wheel Lever	34	152108	Hex Hd. Bolt 5/16-18 x 1
9	090290	Back Plate	35	152116	Hex Hd. Bolt 5/16-24 x 3/4 Gr. 8
10	090399	Setting Lever	36	152173	Hex Nut—Motor Shroud
11	101527	Baffle	37	152728	Washer—Shroud Ret'g Nut
12	105221	Handle Bracket, R.H.	38	152884	Strain Relief*
13	105239	Handle Bracket, L.H.	39	153379	Screw #8-16 x 3/4
14	105767	Mounting Bracket—Trailing Shield*	40	311118	Lock Washer 5/16
15	110221	Chute Deflector*	41	452318	Lock Nut #10-24 Nylon Insert
16	110379	Cable Tie	42	525337	Hex Hd. Bolt #10-24 x 1/2
17	110510	Plastic Tip	43	714170	Decal—Rating Plate
18	111146	Motor Shroud*	44	715011	Hitch Pin #3
19	111237	Vinyl Shield*	45	715045	Hex Hd. Bolt 1/4-20 x 3/4
20	111393	Fan—Electric Motor*	46	715078	Flange Whiz Nut 1/4-20
21	111419	Cord Holder	47	715607	Washer—Belleville 3/8
22	111427	Filter—Electric Motor	48	715417	Washer 3/8 S.A.E.
23	132886	Blade Adapter	49	715441	Twin Whiz Nut 3/8-16
24	144063	Decal C.P.S.C.-O.P.E.I. Danger	50	715490	Top Lock Nut 5/16-18
25	145607	Decal U.L. Rating	51	715508	Top Lock Nut 1/4-20
26	145615	Decal B & S			