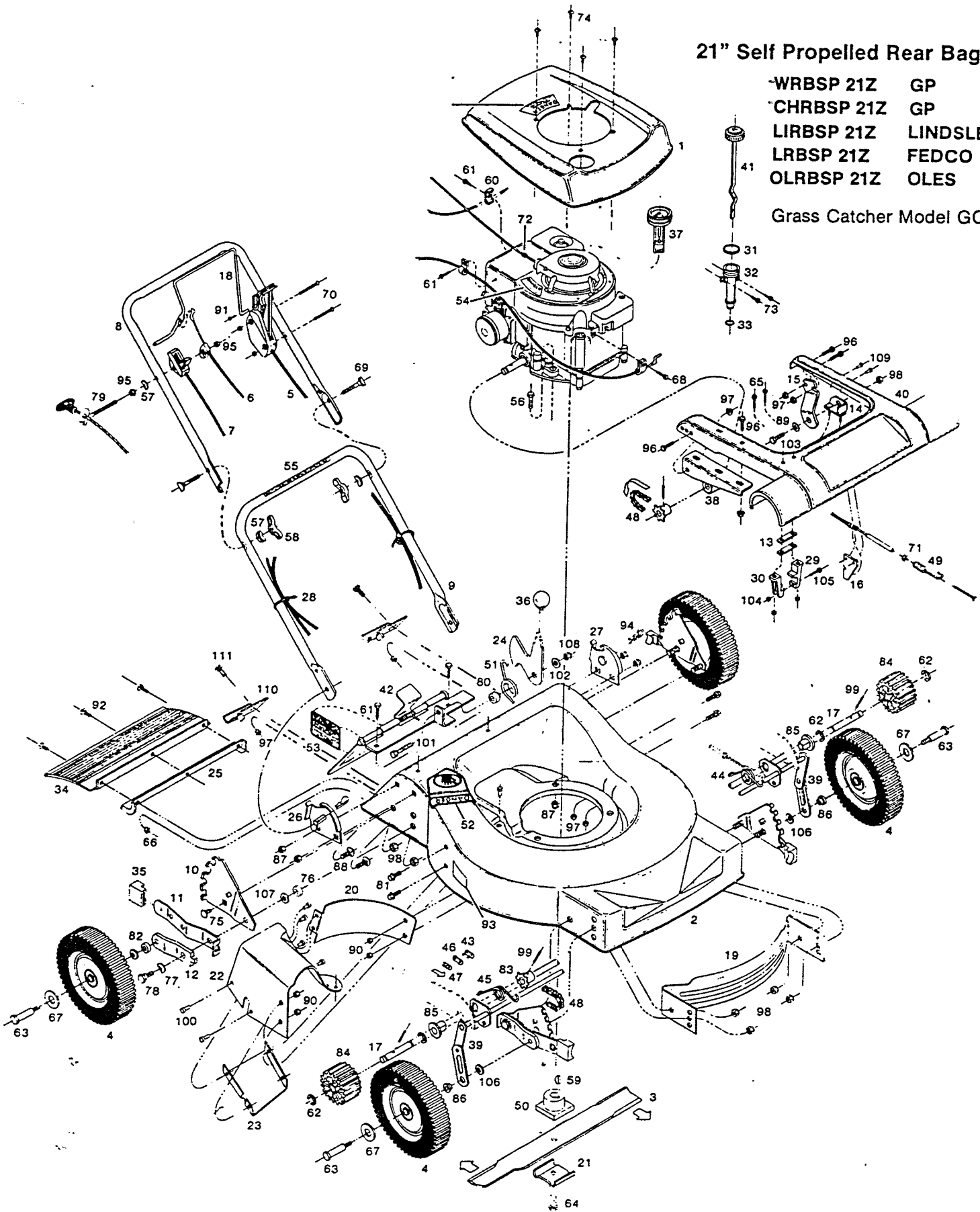


21" Self Propelled Rear Bagger

- WRBSP 21Z GP
- CHRBS 21Z GP
- LIRBSP 21Z LINDSLEY
- LRBSP 21Z FEDCO
- OLRBSP 21Z OLES

Grass Catcher Model GC-6A



NOTE: PARTS ARE RIGHT OR LEFT HAND AS VIEWED FROM THE OPERATOR POSITION.

DRIVE CHAIN ADJUSTMENT

The drive chain will loosen with use. It is necessary to check the chain tension after the first five hours of operation, and every ten hours thereafter.

1. Disconnect the spark plug terminal wire, tilt mower deck back and support the mower front with a suitable support frame.
2. To adjust the chain, slightly loosen two (2) bolts and nuts (item 96 and 97) that hold the right hand pivot bracket (item 38).
3. Tap the drive cover assembly forward until the chain is taut.
4. Tighten the two (2) bolts and nuts holding the right hand pivot bracket.

DRIVE CONTROL ADJUSTMENT

The drive control should be adjusted to provide full engagement of the self-propelled mechanism.

If the self-propelled mechanism does not fully engage.

1. Loosen the locknut.
2. Turn the tube adjuster in a clockwise direction until all cable slack has been taken up and tension is increased on the spring.
3. Tighten locknut.
4. Activate control and check for full engagement.

If the self-propelled mechanism is over engaged, the control will require excessive force to latch.

To correct this condition:

1. Loosen the locknut.
2. Turn the tube adjuster in a counter clockwise direction until the control latches more easily.
3. Tighten locknut.
4. Activate control and check for full engagement.

● Indicates Optional Equipment

Index No.	Part No.	Description	Index No.	Part No.	Description
1	028807	Shroud ●	57	150201	Washer - Curved 5/16
2	028050	Deck 21" Rear Bagger	58	150235	Wing Nut 5/16-18
3	030262	Blade 21" Offset	59	150276	Woodruff Key No.8
4	040741	Wheel 8 x 1.75 Cog	60	150318	Cable Clamp
5	050463	Control - Ground Drive*	61	150823	Screw-Hex Head Sheet Metal #10x5/8
6	050534	Control Cable Engine/Blade*	62	150722	E-Ring 1/2"
7	050559	Control - Throttle	63	150730	Shoulder Bolt - Wheel
8	071100	Handle - Upper	64	150862	Bolt - Blade 3/8-24 x 1 Gr.5
9	071449	Handle - Lower	65	150938	Bolt - Hex Washer Head #10-24 x 1
10	090589	Black Plate - Height Adjuster	66	150946	Locknut - #10-24 Hex Washer Head
11	090613	Setting Lever - Height Adjuster	67	151499	Washer - Wheel Retaining
12	090712	Wheel Lever - Height Adjuster	68	151813	Bolt - Hex Head SEMS #10-32 x 3/8
13	101246	Reinforcing Washer	69	151928	Bolt - Curved Head Crg 5/16-18 x 2 1/2
14	101345	Pivot Bracket	70	151944	Screw - Oval Head #10-24 x 2
15	103432	Mounting Bracket - Drive Cover	71	151985	Nut - #10-24 Hex
16	103937	Mounting Bracket - Cable	72	152074	Rope Stop
17	104168	Drive Shaft	73	152082	Shoulder Screw - Oil Dip Stick ●
18	104895	Control - Engine/Blade-Gr. Dr Crossbar	74	152199	Self Tap Screw #8 x 1/2 ●
19	105825	Baffle - Front	75	152405	Bolt - Carriage 3/8-16 x 1/2
20	106070	Baffle - Rear	76	152413	Washer-Plastic-Height Adjuster
21	106336	Blade Washer	77	152421	Washer-Spring Height Adjuster
22	106633	Baffle - Upper Chute	78	152587	Shoulder Bolt - Height Adjuster
23	106641	Baffle - Lower Chute	79	152629	Rope Guide
24	106718	Catcher Latch	80	152637	Spacer - Catcher Latch
25	106799	Trailing Shield Mounting Bracket*	81	152660	Bolt - Hex Washer Head 1/2-20 x 1/2
26	106807	Handle Bracket - Right Hand	82	152688	Spacer - Rear Wheel
27	106815	Handle Bracket - Left Hand	83	170142	Sprocket - #65 8 Tooth
28	110379	Cable Tie	84	170266	Drive Cog
29	110411	Chain Guide - Left Hand	85	170555	Bronze Bearing
30	110429	Chain Guide - Right Hand	86	170605	Spacer - Connect Link
31	110494	O-ring - Large ●	87	310151	Locknut - 5/16 - 18 Nylock
32	111112	Oil Fill Tube Dip Stick ●	88	313510	Bolt - Carriage 5/16-18 x 1/2
33	111120	O-ring - Small ●	89	326611	Spacer - Pivot Bracket
34	111245	Trailing Shield - Plastic*	90	451419	Locknut - 1/2-20 Flanged Top
35	111260	Plastic Tip - Height Adjuster	91	456897	Bolt-Flg Hex Hd Self-Tap #10-24 x 3/8
36	111369	Knob - Catcher Latch	92	525337	Bolt - Hex Head 10-24 x 1/2
37	120014	Gas Gauge ●	93	714170	Decal - Rating Plate
38	123000	Pivot Bracket w/Bushing	94	715011	Hitch Pin #3
39	123042	Connecting Rod Assembly	95	715037	Locknut 1/2-20 Keps
40	124313	Drive Cover Assembly	96	715045	Bolt - Hex Head 1/2-20 x 1/2
41	125237	Oil Dip Stick & Cap ●	97	715078	Locknut - 1/2-20 Flanged Whiz
42	126839	Door Assembly	98	715088	Locknut 3/8-16 Top
43	130294	Chain Link	99	715193	Roll Pin 3/16 x 1
44	130302	Torsion Spring - Left Hand	100	715278	Pop Rivet 1/8"
45	130310	Torsion Spring - Right Hand	101	715292	Bolt - Hex Head 1/2-20 x 1
46	130484	Pin Link - Chain	102	715300	Washer 1/2" Flat
47	130492	Spring Clip - Chain	103	715326	Bolt - Hex Head 3/8-16 x 1
48	131888	Roller Chain #65-1/2, 57 pitch	104	715334	Locknut - #10-24 Keps
49	132951	Spring - Control Overtravel	105	715387	Bolt - Hex Head #10-24 x 1/2
50	133231	Blade Adapter	106	715409	Washer - Spring-Wheel
51	133371	Torsion Spring - Catcher Latch	107	715417	Washer - 3/8 Flat
52	143115	Decal - C P S C Danger	108	715508	Locknut 1/2-20 Top
53	144162	Decal - Door Caution	109	816033	Pop Rivet 1/8
54	144204	Decal - Blade Warning	110	106690	Catcher Frame Bracket
55	144899	Decal - Starting Instructions	111	150011	Bolt - Carriage 1/2-20 x 5/8 Gr 5
56	150045	Bolt - Hex Head 5/16-18 x 1 1/2			

21" Self Propelled Rear Bagger

5. Slightly loosen the two (2) bolts and nuts (item 96 and 97) that hold the left hand mounting bracket (item 15).
6. Tap the drive cover assembly forward an equal amount that the right hand pivot bracket moved.
7. Tighten the two (2) bolts and nuts holding the left hand mounting bracket.

The drive chain is properly tightened when there is not more than 1/8" movement in one direction. Lubricate drive chain with SAE 30 oil after every 25 hours of operation, and after making adjustments.

