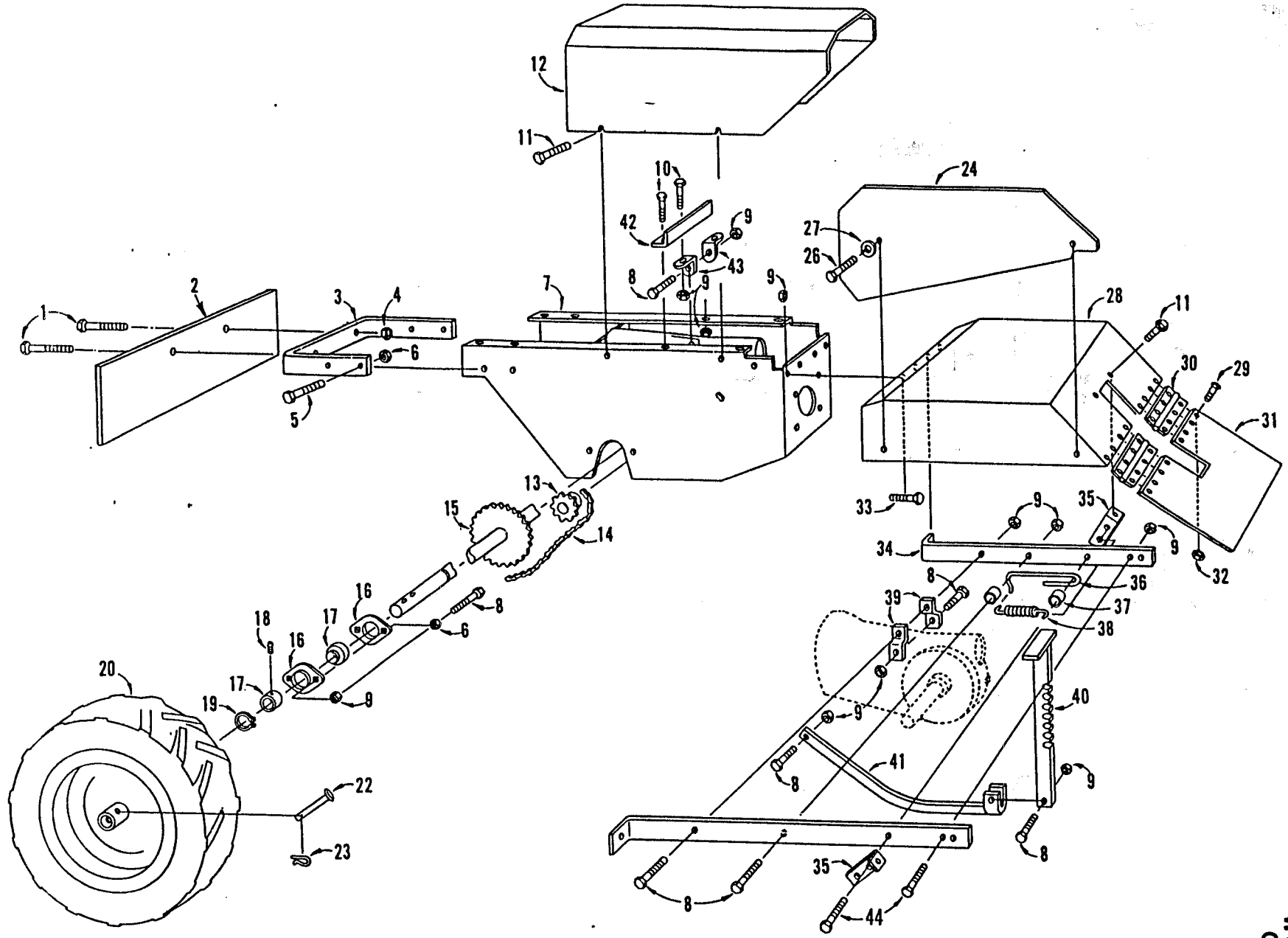


SHP Rear Tine Tiller
WC-CT25

5HP Rear Tine Tiller

WC-CT25

KEY NO.	PART NO.	DESCRIPTION	KEY NO.	PART NO.	DESCRIPTION
1.		Eng. Briggs 5 H.P. (See Briggs Dir)	38.	622647	Spring-Tine Clutch
2.	616342	Nut .312-18 Center Lock	39.	617878	Special Bushing
3.	616839	Key .188 Square	40.	572016	Rear Support Weldment
4.	623041	Throttle Control	41.	616102	Bolt .312-18 x 1.50
5.	621003	Clip Cable	42.	571703	Cross Brace
6.	616052	Screw 10-24 x 2.25	43.	617811	Flange
7.	616128	Bolt .375-16 x .75	44.	617795	Bearing Assembly
8.	615666	Washer Lock .375 Nom.	45.	615484	Setscrew .250-20
9.	620831	Spring Tine Clutch	46.	615831	Bolt .312-18 x 1.25
10.	615815	Bolt .312-18 x .75	47.	623926	Bolt .312-18 x 1.25 Full Thread
11.	616375	Nut .250-20 Center Lock	48.	623207	Spring Idler
12.	623256	Belt Keeper Weldment	49.	623124	Idler Arm-Forward
13.	572180	Handle Bar Weldment	50.	617886	Idler Pivot
14.	616615	Nut 10-24 Center Lock	51.	623181	Main Shaft
15.	619221	Grip-Handle Bar	52.	616094	Bolt .250-20 x 2.50
16.	555433	Clutch Lever-Wheel	53.	619213	Belt-Forward
17.	555441	Clutch Lever-Tine	54.	623421	Pulley Forward
18.	616243	Spring	55.	621938	Pulley-Transmission
19.	621235	Pin-Clutch Engage	56.	170530	Pulley-Idler
20.	617126	Hairpin	57.	616631	Roller-Clutch Cable
21.	622159	Clutch Cable	58.	571760	Angle Bracket
22.	616862	Spring-Wheel Clutch	59.	623447	Spacer
23.	623496	Clutch Cable-Forward	60.	623934	Belt Keeper-Forward
24.	621284	Clutch Cable-Tines	61.	572024	Chassis Weldment
25.	622167	Belt Keeper-Upper	62.	622662	Lever Jacket
26.	615708	Flatwasher .312 Nom.			
27.	615740	Bolt .375-16 x 1.50			
28.	622407	Belt-Tine Drive			
29.	616276	Key .188 Square			
30.	615492	Setscrew .312-18			
31.	616870	Pulley 3.5"			
32.	615823	Bolt .312-18 x 1.00			
33.	622886	Belt Keeper-Lower			
34.	312322	Bolt .375-16 x 1.75			
35.	616854	Flatwasher .375 Nom.			
36.	571661	Idler Arm			
37.	624908	Nut .375-16 Center Lock			

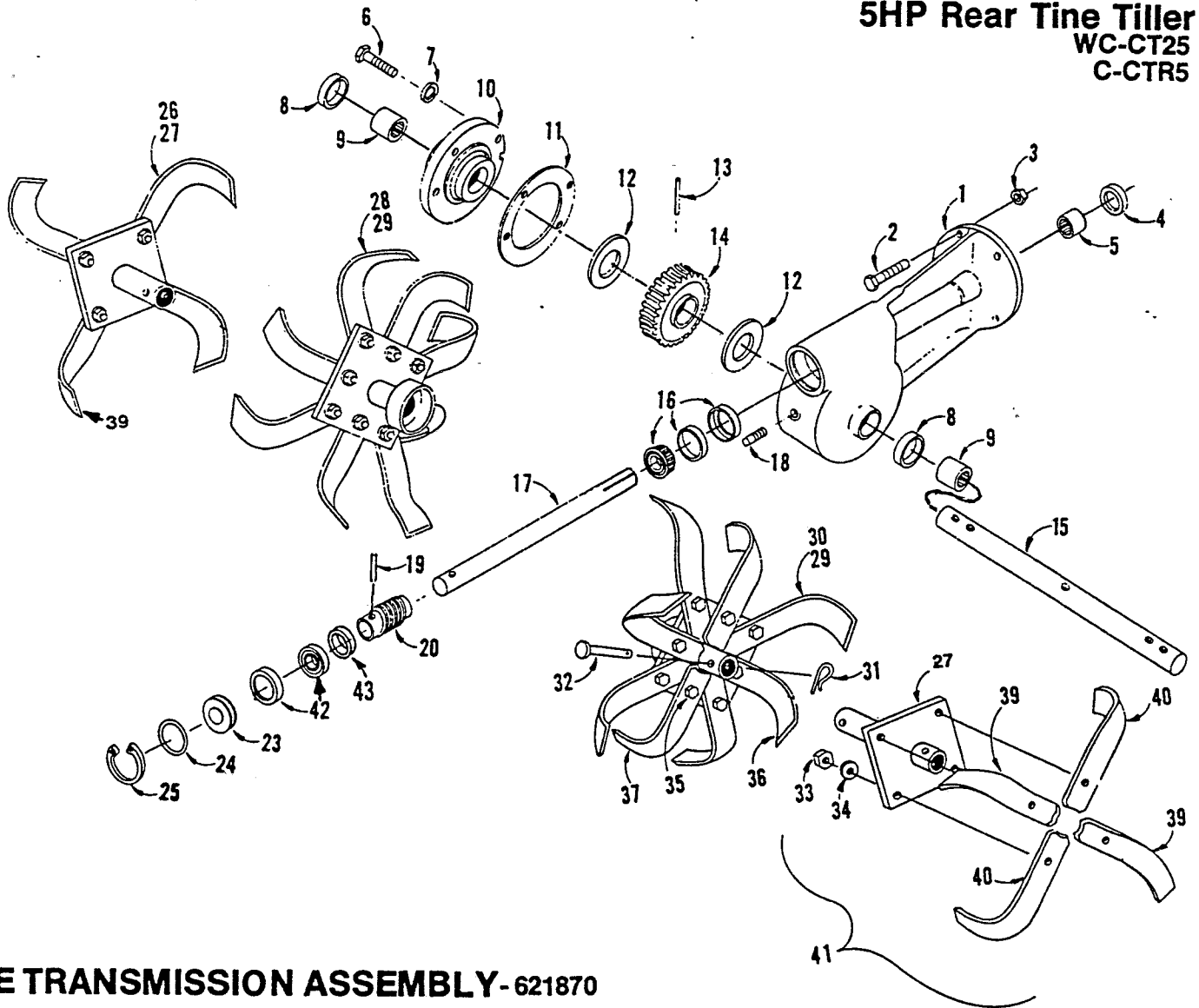


5HP Rear Tine Tiller
WC-CT25
C-CTRS

5HP Rear Tine Tiller
WC-CT25
C-CTR5

KEY NO.	PART NO.	DESCRIPTION	KEY NO.	PART NO.	DESCRIPTION
1.	615617	Bolt .500-13 x 2.75	23.	616227	Hair Pin
2.	571786	Weight (8) Required	24.	571992	Side Plate L.H.
3.	571398	Weight Bucket	25.	571984	Side Plate R.H. (Not Shown)
4.	616581	Nut .500-13 Center Lock	26.	615732	Bolt .250-20 x .62
5.	615591	Bolt .375-16 x 1.00	27.	615658	Lockwasher .250
6.	624908	Nut .375-16 Center Lock	28.	572008	Dirt Shield Weldment
7.	572024	Chassis Weldment	29.	616177	Screw 10-24 x .50
8.	615831	Bolt .312-18 x 1.25	30.	622183	Hinge
9.	616342	Nut .312-18 Center Lock	31.	572040	Flap-Dirt Shield
10.	615815	Bolt .312-18 x .75	32.	616615	Nut 10-24 Center Lock
11.	617514	Screw .312-18 x .62 Self Tapping	33.	615823	Bolt .312-18 x 1.00
12.	572032	Sheave Cover	34.	571372	Support Bar
13.	622365	Sprocket	35.	571414	Bracket-Dirt Shield
	619023	Chain No. 40 42 Pitch	36.	620310	Pusher-Depth Bar
	622217	Wheel Axle Weldment	37.	571331	Spacer
16.	622340	Flange	38.	623058	Spring
17.	622332	Bearing Assembly	39.	571323	Brace-Transmission
18.	615484	Set Screw .250-20	40.	571687	Depth Bar
19.	616896	Snap Ring	41.	571679	Skid Bar Weldment
20.	622118	Wheel Assembly R.H.	42.	571703	Cross Brace
21.	622126	Wheel Assembly L.H. (Not Shown)	43.	571695	L Bracket
22.	616532	Clevis Pin	44.	615856	Bolt .312-18 x 1.50

5HP Rear Tine Tiller WC-CT25 C-CTR5

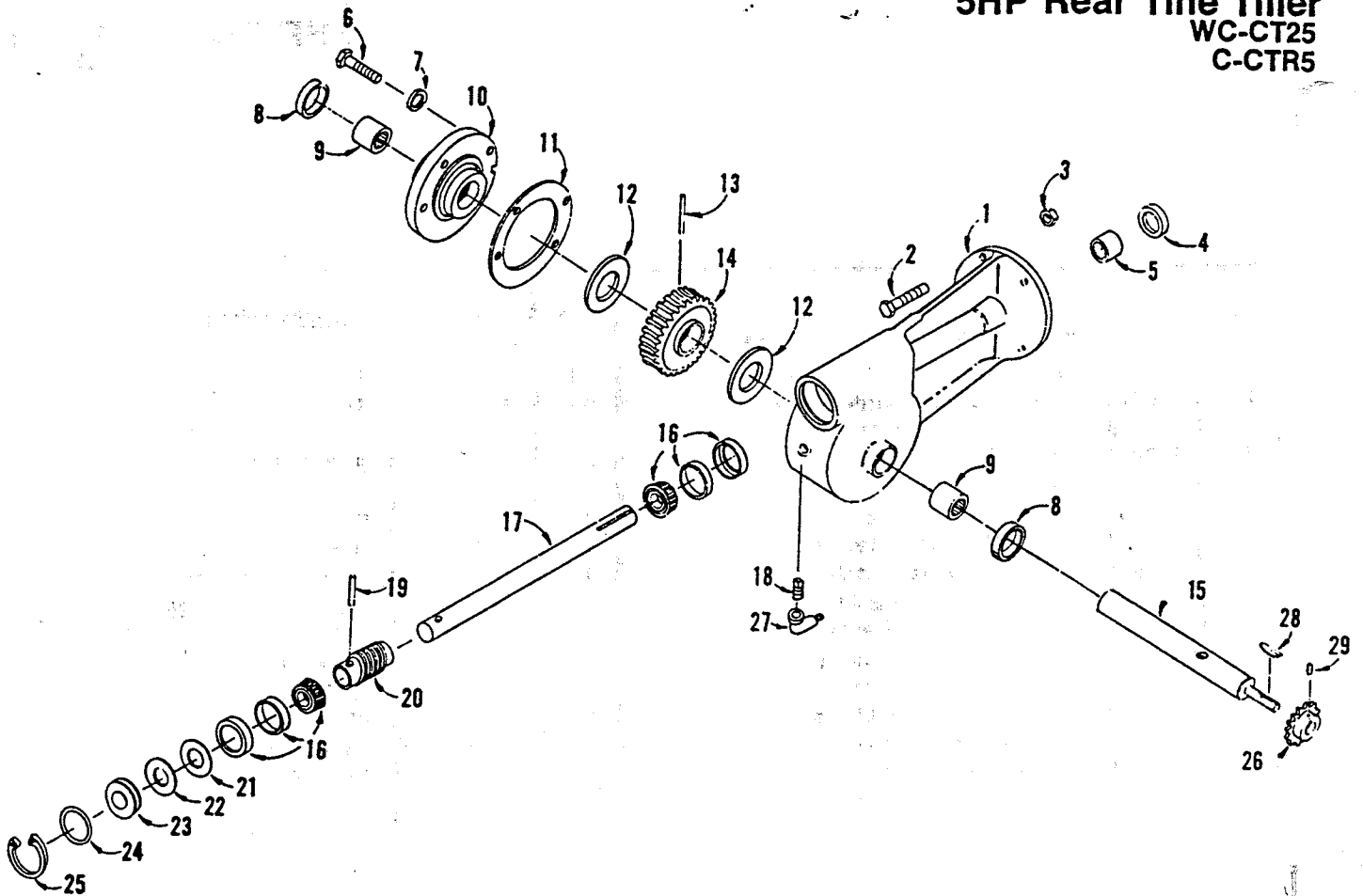


TINE TRANSMISSION ASSEMBLY - 621870

KEY NO.	PART NO.	DESCRIPTION
1.	616979	Trans. Cast. w/Brngs & Seals
2.	615880	Bolt .375-16 x 1.25 Hex
3.	624908	Nut .375-16 Center Lock
4.	616383	Oil Seal - Worm Shaft
5.	616524	Bearing-Needle-Worm Shaft
6.	617019	Bolt .312-18 x .88 Hex
7.	615575	Lockwasher .312 Nom.
8.	616391	Oil Seal - Axle
9.	616292	Bearing-Needle-Axle
10.	617001	Cover Plate w/Bearing & Seal
11.	616755	Gasket
12.	616417	Thrust Washer
13.	616466	Drive-Lok Pin .375 x 2.00
14.	619536	Worm Wheel
15.	617845	Axle
16.	545582	Tapered Bearing Assembly
17.	617084	Worm Shaft
18.	615500	Pipe Plug
19.	616458	Roll Pin .250 dia. x 1.25
20.	513317	Worm
21.		Not used this model
22.		Not used this model

KEY NO.	PART NO.	DESCRIPTION
23.	616433	Seal Plug
24.	616441	'O' Ring
25.	616425	Snap Ring
26.	622415	Tine Assembly R.H. Extension
27.	622290	Tube & Plate Wldm. R.H. Ext.
28.	617712	Tine Ass'y R.H. Basic
29.	617720	Tube & Plate Weldment-Basic
30.	617704	Tine Assembly L.H. Basic
31.	616227	Hair Pin
32.	616532	Clevis Pin
33.	615633	Nut .375-24 Hex
34.	615666	Lockwasher .375 Nom.
35.	617787	Spacer
36.	616649	Tine Blade L.H. Short
37.	616656	Tine Blade R.H. Short
38.	624957	Bolt .375-24 x 1.25 Hex
39.	617217	Tine Blade L.H. Long
40.	617209	Tine Blade R.H. Long
41.	622423	Tine Assembly L.H. Ext.
42.	620898	Ball Bearing Assembly
43.	623504	Collar

**5HP Rear Tine Tiller
WC-CT25
C-CTR5**



WHEEL DRIVE TRANSMISSION ASSEMBLY - 621862

KEY NO.	PART NO.	DESCRIPTION	KEY NO.	PART NO.	DESCRIPTION
1.	622381	Trans. Cast W/Brngs & Seals	16.	545582	Tapered Bearing Assembly
2.	615880	Bolt .375-16 x 1.25 Hex	17.	617084	Worm Shaft
3.	624908	Nut .375-16 Center Lock	18.	615500	Pipe Plug
4.	616383	Oil Seal - Worm Shaft	19.	616458	Roll Pin .250 Dia. x 1.25
5.	616524	Bearing - Needle - Worm Shaft	20.	616730	Worm
6.	617019	Bolt .312-18 x .88 Hex	21.	621334	Shim .003 (As Required)
7.	615575	Lockwasher .312 Nom.	22.	621342	Shim .005 (As Required)
8.	616391	Oil Seal - Axle	23.	616433	Seal Plug
9.	622324	Sleeve Bearing	24.	616441	'O' Ring
10.	622399	Cover Plate W/Bearing & Seal	25.	616425	Snap Ring
11.	616755	Gasket	26.	622365	Sprocket
12.	616417	Thrust Washer	27.	622175	Street Elbow
13.	616466	Drive-Lok Pin .375 x 2.00	28.	615534	Woodruff Key
14.	616698	Worm Wheel	29.	615484	Set Screw
15.	621854	Axle			