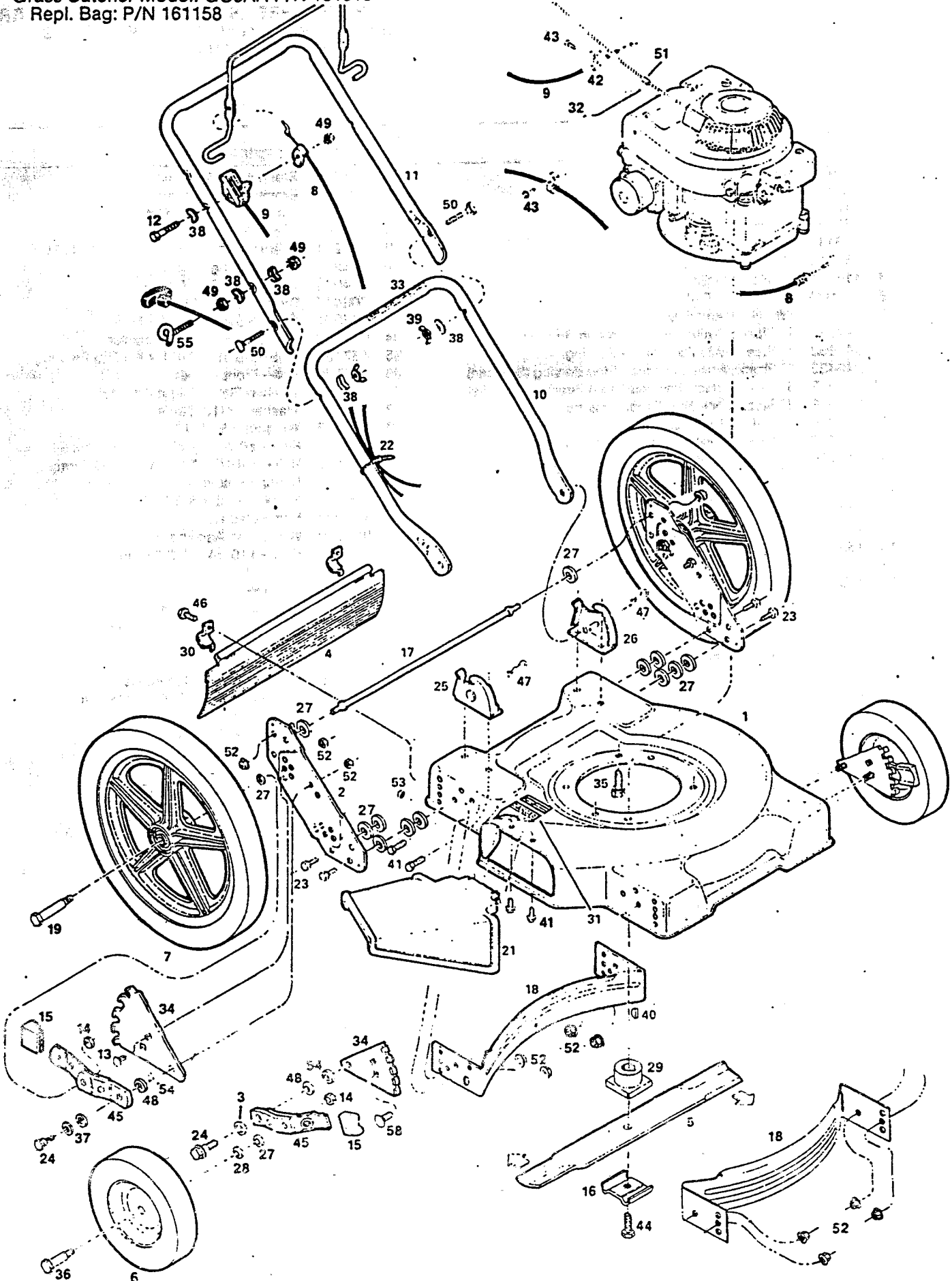


MODEL WDHK
22" HIGH-WHEEL SIDE DISCHARGE MOWER
Grass Catcher Model: GC6AA P/N 161018
Repl. Bag: P/N 161158



MODEL WDHK
22" HIGH-WHEEL SIDE DISCHARGE MOWER
 Grass Catcher Model: GC6AA P/N 161018
 Repl. Bag: P/N 161158

Index Part No.	Part No.	Description	Index Part No.	Part No.	Description
1	019778	Deck 22"	26	088377	Bracket—LH Handle
2	019117	Bracket—Wheel	27	715417	Washer—3/8 SAE Flat
3	152421	Washer—Spring	28	715607	Washer—3/8 Belleville
4	114439	Shield—Plastic Trailing	29	133231	Adapter—Blade
5	030049	Blade—22" Flat	30	106914	Clip—Trailing Shield
6		Wheel Assemblies*	31	144063	Decal—C.P.S.C. Danger
	041939	7" Plastic-White-Diamond-Nylon Bearing	32	009415	Decal—Blade Warning
	041863	7" Steel-White-Rib-Flange Bearing	33	715557	Decal—Starting Instructions
	042432	8" Plastic-White-Diamond-Nylon Bearing (3-Spoke)	34	091249	Back Plate—Height Adjuster
	041909	8" Plastic-White-Diamond-Nylon Bearing (4-Spoke)	35	457168	Bolt—3/8-16 x 7/8 Hx Hd Thd Forming
	041848	8" Steel-White-Rib-Flange Bearing	36	150730	Bolt—Front Wheel
	041772	8" Plastic-White-Rib	37	152553	Washer, Flat—Height Adjuster
7	042960	Wheel—16 x 1.75-White-Plastic	38	150201	Washer—5/16 Curved
8	052142	Cable—Engine/Blade Control	39	150235	Wingnut—5/16-18
9	051219	Control—Throttle w/Cable	40	150276	Key—#6 Woodruff
10	071563	Handle—Lower	41	457499	Bolt—1/4-20 x 1/2 Hx Hd Thd Forming
11	071076	Handle—Upper	42	150318	Clamp—Cable
	071084	Handle—Upper with Cushion Grip*	43	150623	Screw—#10 x 5/8 Self-Tap
12	153874	Bolt—1/4-20 x 2-1/4 Hx Hd	44	162024	Bolt—Blade
13	152405	Bolt—3/8-16 x 3/4 Carriage	45	085019	Wheel Arm Assembly
14	715524	Locknut 3/8-16 Jam	46	458687	Bolt—#10-24 x 1/2 Hx Hd
15	110510	Plastic Tip—Height Adjuster	47	715011	Pin—#3 Hitch
16	106336	Washer—Blade	48	156877	Washer—3/8 Hardened
17	100396	Bar—Stabilizer	49	715037	Nut—1/4-20 Keps
18	101519	Baffle—Deck	50	151928	Bolt—5/16-18 x 1-3/4 Curved Hd
19	164228	Wheelbolt - Rear	51	152074	Stop—Rope
20	104687	Bail—Engine/Blade Control	52	156406	Nut—3/8-16 Flange Lock
21	394619	Chute Deflector Assembly	53	452318	Nut—#10-24 Nylon Insert
22	110379	Tie—Cable	54	156182	Washer, Plastic—Height Adjuster
23	715326	Bolt—3/8-16 x 1 Hx Hd	55	152371	Guide—Rope
24	156125	Bolt, Shoulder Height Adjuster			
25	088369	Bracket—RH Handle			

• INDICATES OPTIONAL EQUIPMENT

• INDICATES OPTIONAL EQUIPMENT

- * Contact engine manufacturer's authorized service dealer for parts and warranty.
- When servicing use only Genuine Factory Replacement Parts (OEM) that are specifically designed for the particular model that you are working with.
- Parts are right or left hand as viewed from the operator's position.
- Model specifications are subject to change without prior notice.
- Do not operate the mower unless all parts are attached and in good working order.
- Lawn mower deck and/or other painted parts differing in color may be substituted without notice.