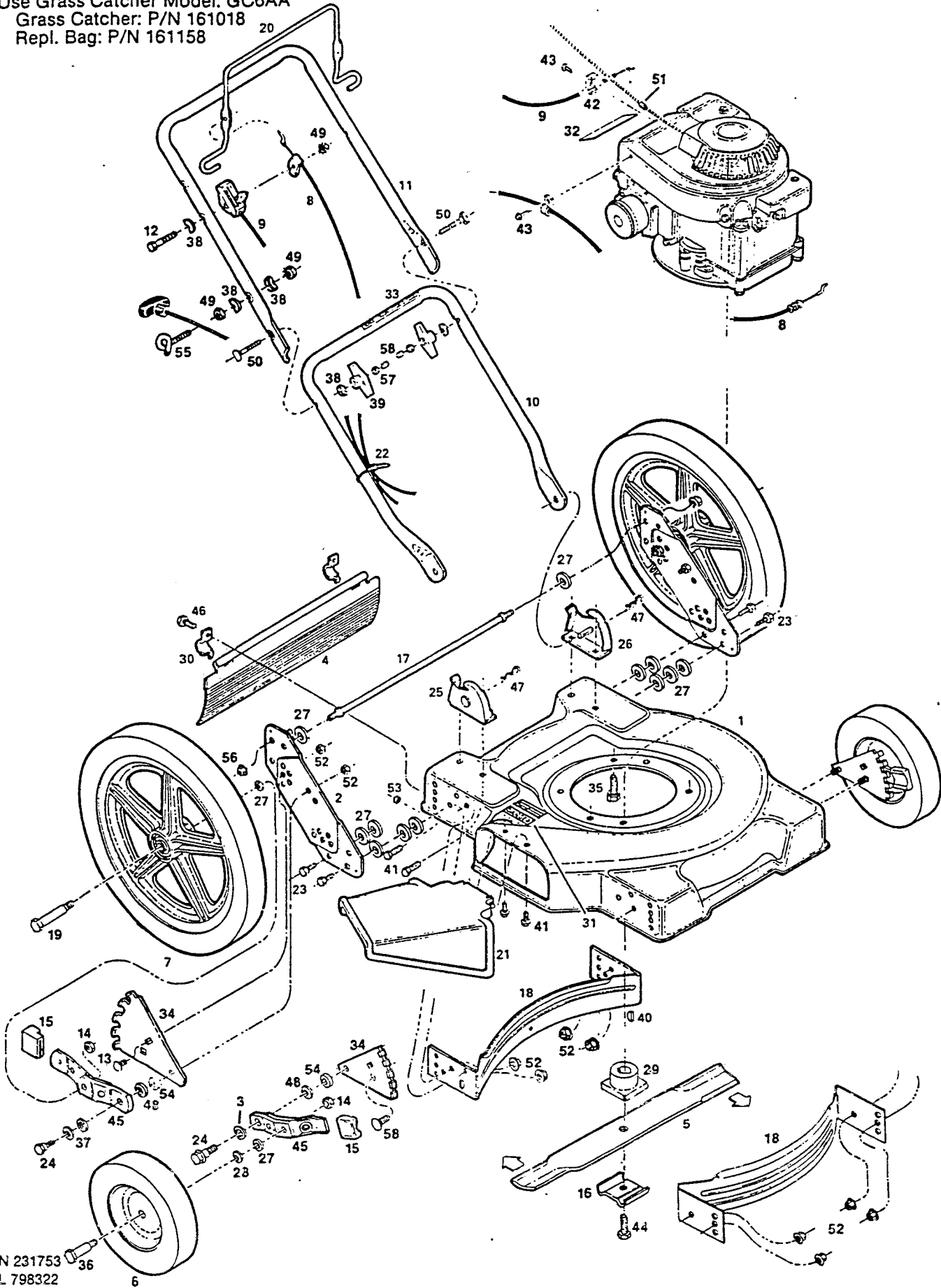


MODEL: WDH L
22" CUT SIDE-DISCHARGE HIGH-WHEEL ROTARY MOWER

Use Grass Catcher Model: GC6AA

Grass Catcher: P/N 161018

Repl. Bag: P/N 161158



S/N 231753
P/L 798322
O/M 082566
E/M 189985

MODEL: WDH L
22" CUT SIDE-DISCHARGE HIGH-WHEEL ROTARY MOWER
 Use Grass Catcher Model: GC6AA
 Grass Catcher: P/N 161018
 Repl. Bag: P/N 161158

Index No.	Part No.	Description	Index No.	Part No.	Description
1	019778	Deck 22"-Green	26	093161	Bracket—LH Handle
	019760	Deck 22"-Red	27	715417	Washer—3/8 SAE Flat
2	019117	Bracket—Wheel	28	715607	Washer—3/8 Belleville
3	152421	Washer—Spring	29	133231	Adapter—Blade
4	114439	Shield—Plastic Trailing	30	106914	Clip—Trailing Shield
5	030049	Blade—22" Flat	31	144063	Decal—C.P.S.C. Danger
6		Wheel Assemblies*	32	009415	Decal—Blade Warning
	041939	7" Plastic-White-Diamond-Nylon Bearing	33	715557	Decal—Starting Instructions
	041863	7" Steel-White-Rib-Flange Bearing	34	093104	Back Plate—Height Adjuster
	042432	8" Plastic-White-Diamond-Nylon Bearing (3-Spoke)	35	457168	Bolt—3/8-16 x 7/8 Hx Hd Thd Forming
	041909	8" Plastic-White-Diamond-Nylon Bearing (4-Spoke)	36	150730	Bolt—Front Wheel
	043018	8" Plastic-White-Diamond	37	152553	Washer, Flat—Height Adjuster
	041848	8" Steel-White-Rib-Flange Bearing	38	150201	Washer—5/16 Curved
	041772	8" Plastic-White-Rib	39	113589	Wingnut—5/16-18
7	042960	Wheel—16 x 1.75-White-Plastic	40	150276	Key—#6 Woodruff
8	052142	Cable—Engine/Blade Control	41	457499	Bolt—1/4-20 x 1/2 Hx Hd Thd Forming
9	051219	Control—Throttle w/Cable	42	150318	Clamp—Cable
10	071563	Handle—Lower	43	150623	Screw—#10 x 5/8 Self-Tap
11	071076	Handle—Upper	44	162024	Bolt—Blade
	071084	Handle—Upper with Cushion Grip*	45	093088	Wheel Arm Assembly
12	153874	Bolt—1/4-20 x 2-1/4 Hx Hd	46	458687	Bolt—#10-24 x 1/2 Hx Hd
13	152405	Bolt—3/8-16 x 3/4 Carriage	47	715011	Pin—#3 Hitch
14	715524	Locknut 3/8-16 Jam	48	156877	Washer—3/8 Hardened
15	110510	Plastic Tip—Height Adjuster	49	715037	Nut-1/4-20 Keps
16	106336	Washer—Blade	50	151936	Bolt—5/16-18 x 2-1/4 Curved Hd
17	100396	Bar—Stabilizer	51	152074	Stop—Rope
18	101519	Baffle—Deck	52	156406	Nut—3/8-16 Flange Lock
19	164582	Wheelbolt - Rear	53	452318	Nut—#10-24 Nylon Insert
20	104687	Bail—Engine/Blade Control	54	156182	Washer, Plastic—Height Adjuster
21	394619	Chute Deflector Assembly	55	152371	Guide—Rope
22	110379	Tie—Cable	56	451492	Nut-3/8-16 Flange Center Lock
23	715326	Bolt—3/8-16 x 1 Hx Hd	57	310045	Nut-5/16-18
24	156125	Bolt, Shoulder Height Adjuster	58	110064	Cap-Plastic
25	093153	Bracket—RH Handle			

• INDICATES OPTIONAL EQUIPMENT

• INDICATES OPTIONAL EQUIPMENT

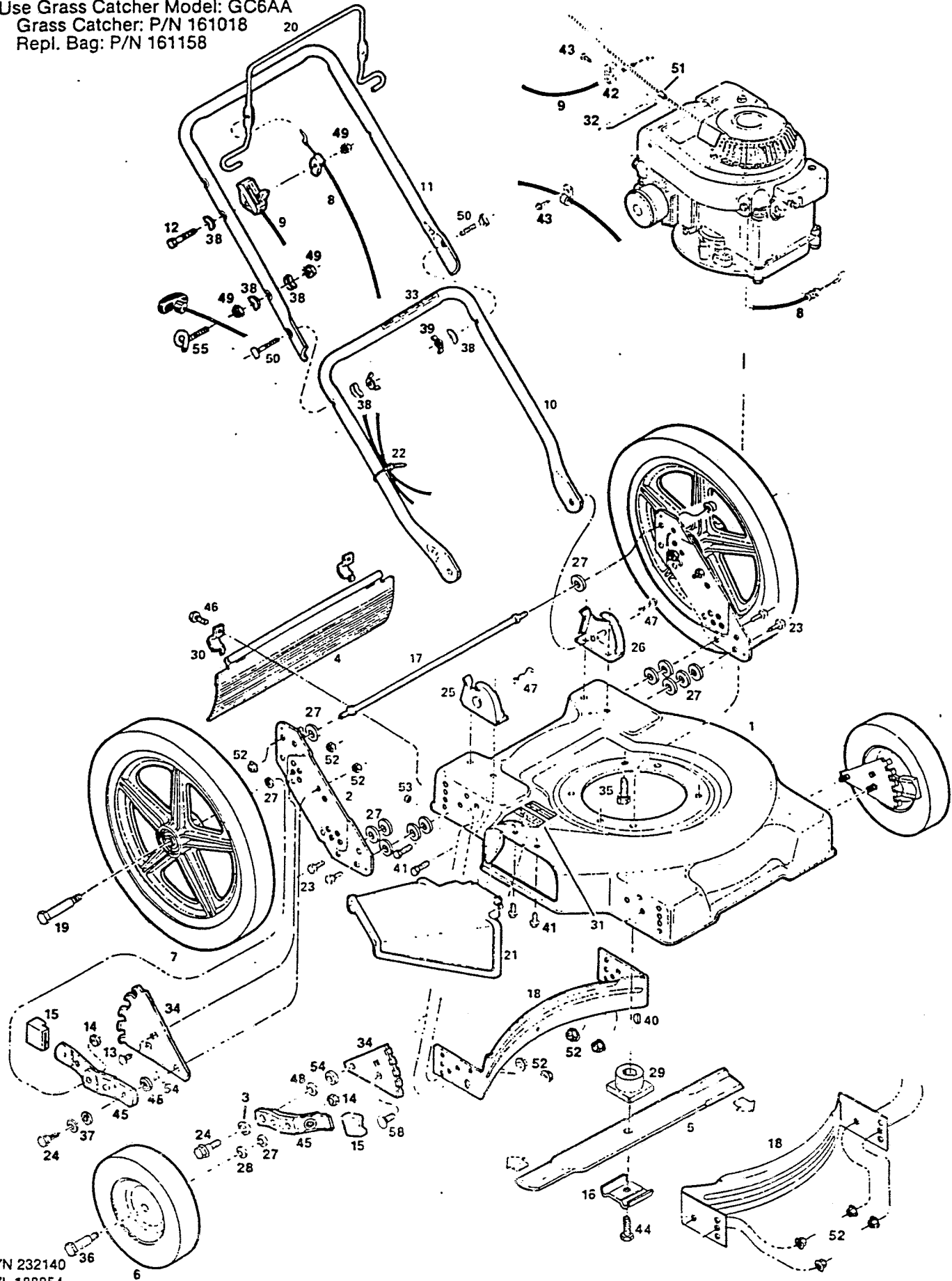
- When servicing this unit use only genuine General Power OEM replacement parts that are specifically designed and engineered for this particular model.
- Do not operate unit unless all parts are properly attached and in good working order.
- Parts are right or left hand as viewed from the operator's position.
- Specifications are subject to change without notice.

**MODEL: WDH L
22" CUT SIDE-DISCHARGE HIGH-WHEEL ROTARY MOWER**

Use Grass Catcher Model: GC6AA

Grass Catcher: P/N 161018

Repl. Bag: P/N 161158



S/N 232140
P/L 188854
O/M 082566
E/M 189985

MODEL: WDH L
22" CUT SIDE-DISCHARGE HIGH-WHEEL ROTARY MOWER
 Use Grass Catcher Model: GC6AA
 Grass Catcher: P/N 161018
 Repl. Bag: P/N 161158

Index No.	Part No.	Description	Index No.	Part No.	Description
1	019778	Deck 22"	26	088377	Bracket—LH Handle
2	019117	Bracket—Wheel	27	715417	Washer—3/8 SAE Flat
3	152421	Washer—Spring	28	715607	Washer—3/8 Belleville
4	114439	Shield—Plastic Trailing	29	133231	Adapter—Blade
5	030049	Blade—22" Flat	30	106914	Clip—Trailing Shield
6		Wheel Assemblies*	31	144063	Decal—C.P.S.C. Danger
	041939	7" Plastic-White-Diamond-Nylon Bearing	32	009415	Decal—Blade Warning
	041863	7" Steel-White-Rib-Flange Bearing	33	715557	Decal—Starting Instructions
	042432	8" Plastic-White-Diamond-Nylon Bearing (3-Spoke)	34	091249	Back Plate—Height Adjuster
	041909	8" Plastic-White-Diamond-Nylon Bearing (4-Spoke)	35	457168	Bolt—3/8-16 x 7/8 Hx Hd Thd Forming
	041848	8" Steel-White-Rib-Flange Bearing	36	150730	Bolt—Front Wheel
	041772	8" Plastic-White-Rib	37	152553	Washer, Flat—Height Adjuster
7	042960	Wheel—16 x 1.75-White-Plastic	38	150201	Washer—5/16 Curved
8	052142	Cable—Engine/Blade Control	39	150235	Wingnut—5/16-18
9	051219	Control—Throttle w/Cable	40	150276	Key—#6 Woodruff
10	071563	Handle—Lower	41	457499	Bolt—1/4-20 x 1/2 Hx Hd Thd Forming
11	071076	Handle—Upper	42	150318	Clamp—Cable
	071084	Handle—Upper with Cushion Grip*	43	150623	Screw—#10 x 5/8 Self-Tap
12	153874	Bolt—1/4-20 x 2-1/4 Hx Hd	44	162024	Bolt—Blade
13	152405	Bolt—3/8-16 x 3/4 Carriage	45	085019	Wheel Arm Assembly
14	715524	Locknut 3/8-16 Jam	46	458687	Bolt—#10-24 x 1/2 Hx Hd
15	110510	Plastic Tip—Height Adjuster	47	715011	Pin—#3 Hitch
16	106336	Washer—Blade	48	156877	Washer—3/8 Hardened
17	100396	Bar—Stabilizer	49	715037	Nut-1/4-20 Keps
18	101519	Baffle—Deck	50	151928	Bolt—5/16-18 x 1-3/4 Curved Hd
19	164228	Wheelbolt - Rear	51	152074	Stop—Rope
20	104687	Bail—Engine/Blade Control	52	156406	Nut—3/8-16 Flange Lock
21	394619	Chute Deflector Assembly	53	452318	Nut—#10-24 Nylon Insert
22	110379	Tie—Cable	54	156182	Washer, Plastic—Height Adjuster
23	715326	Bolt—3/8-16 x 1 Hx Hd	55	152371	Guide—Rope
24	156125	Bolt, Shoulder Height Adjuster			
25	088369	Bracket—RH Handle			

• INDICATES OPTIONAL EQUIPMENT

• INDICATES OPTIONAL EQUIPMENT

- When servicing this unit use only genuine General Power OEM replacement parts that are specifically designed and engineered for this particular model.
- Do not operate unit unless all parts are properly attached and in good working order.
- Parts are right or left hand as viewed from the operator's position.
- Specifications are subject to change without notice.