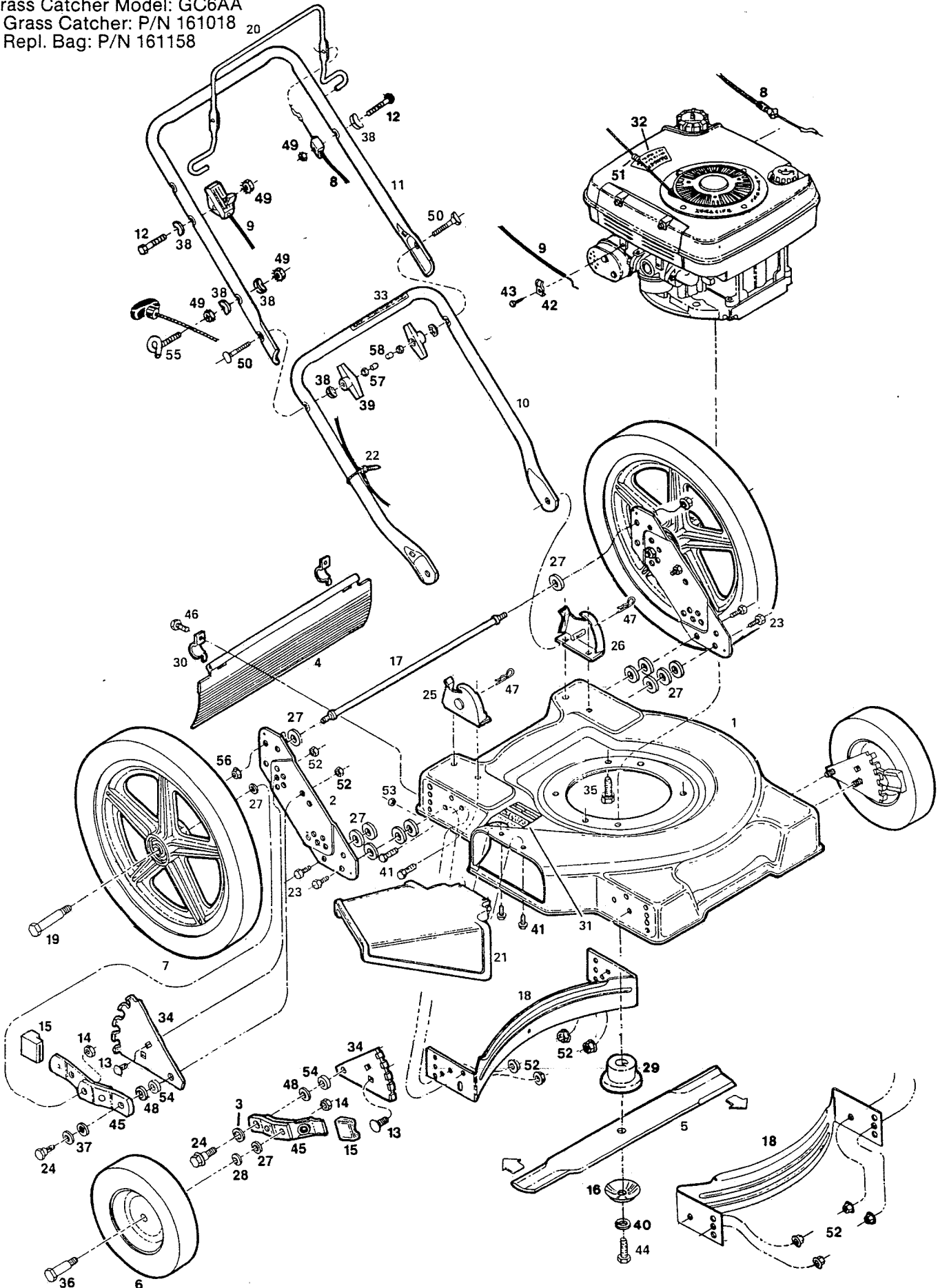


MODEL: WDHSTAM
5 hp 22" CUT HIGH-WHEEL SIDE-DISCHARGE MOWER
 Grass Catcher Model: GC6AA
 Grass Catcher: P/N 161018 20
 Repl. Bag: P/N 161158



S/N 239350
 P/L 082758
 O/M 082566
 E/M 183087

MODEL: WDHSTAM
5 hp 22" CUT HIGH-WHEEL SIDE-DISCHARGE MOWER
 Grass Catcher Model: GC6AA
 Grass Catcher: P/N 161018
 Repl. Bag: P/N 161158

Index No.	Part No.	Description	Index No.	Part No.	Description
1	019778	Deck 22"-Green	30	106914	Clip—Trailing Shield
2	019117	Bracket—Wheel	31	144063	Decal—C.P.S.C. Danger
3	152421	Washer—Spring	32	001206	Decal—Blade Warning
4	114439	Shield—Plastic Trailing	33	799599	Decal—Starting Instructions
5	030049	Blade—22" Flat	34	093104	Back Plate—Height Adjuster
6	043018	8" Plastic - White Diamond	35	164999	Bolt—3/8-16 x 7/8 Hx Hd Thd Forming
7	042960	Wheel—16 x 1.75-White-Plastic	36	150730	Bolt—Front Wheel
8	052845	Cable—Engine/Blade Control	37	152553	Washer, Flat—Height Adjuster
9	053079	Control—Throttle w/Cable	38	150201	Washer—5/16 Curved
10	072991	Handle—Lower	39	113589	Wingnut—5/16-18
11	073007	Handle—Upper	40	156919	Washer—3/8 Lock
12	150433	Bolt—1/4-20 x 2 Hx Hd	41	164998	Bolt—1/4-20 x 1/2 Hx Hd Thd Forming
13	152405	Bolt—3/8-16 x 3/4 Carriage	42	150318	Clamp—Cable
14	715524	Locknut 3/8-16 Jam	43	152157	Screw—#10 x 5/8 Self-Tap
15	110510	Plastic Tip—Height Adjuster	44	157255	Bolt—Blade
16	164681	Washer—Conical	45	093088	Wheel Arm Assembly
17	100396	Bar—Stabilizer	46	458687	Bolt—#10-24 x 1/2 Hx Hd
18	101519	Baffle—Deck	47	715011	Pin—#3 Hitch
19	164582	Wheelbolt - Rear	48	156877	Washer—3/8 Hardened
20	104687	Bail—Engine/Blade Control	49	715037	Nut-1/4-20 Keps
21	394619	Chute Deflector Assembly	50	151936	Bolt—5/16-18 x 2-1/4 Curved Hd
22	110379	Tie—Cable	51	152074	Stop—Rope
23	715326	Bolt—3/8-16 x 1 Hx Hd	52	156406	Nut—3/8-16 Flange Lock
24	156125	Bolt, Shoulder Height Adjuster	53	452318	Nut—#10-24 Nylon Insert
25	093153	Bracket—RH Handle	54	156182	Washer, Plastic—Height Adjuster
26	093161	Bracket—LH Handle	55	152371	Guide—Rope
27	715417	Washer—3/8 SAE Flat	56	451492	Nut-3/8-16 Flange Center Lock
28	715607	Washer—3/8 Belleville	57	310045	Nut-5/16-18
29	094933	Adapter—Blade	58	110064	Cap-Plastic

• INDICATES OPTIONAL EQUIPMENT

• INDICATES OPTIONAL EQUIPMENT

S/N 239350
 P/L 082758
 O/M 082566
 E/M 183087