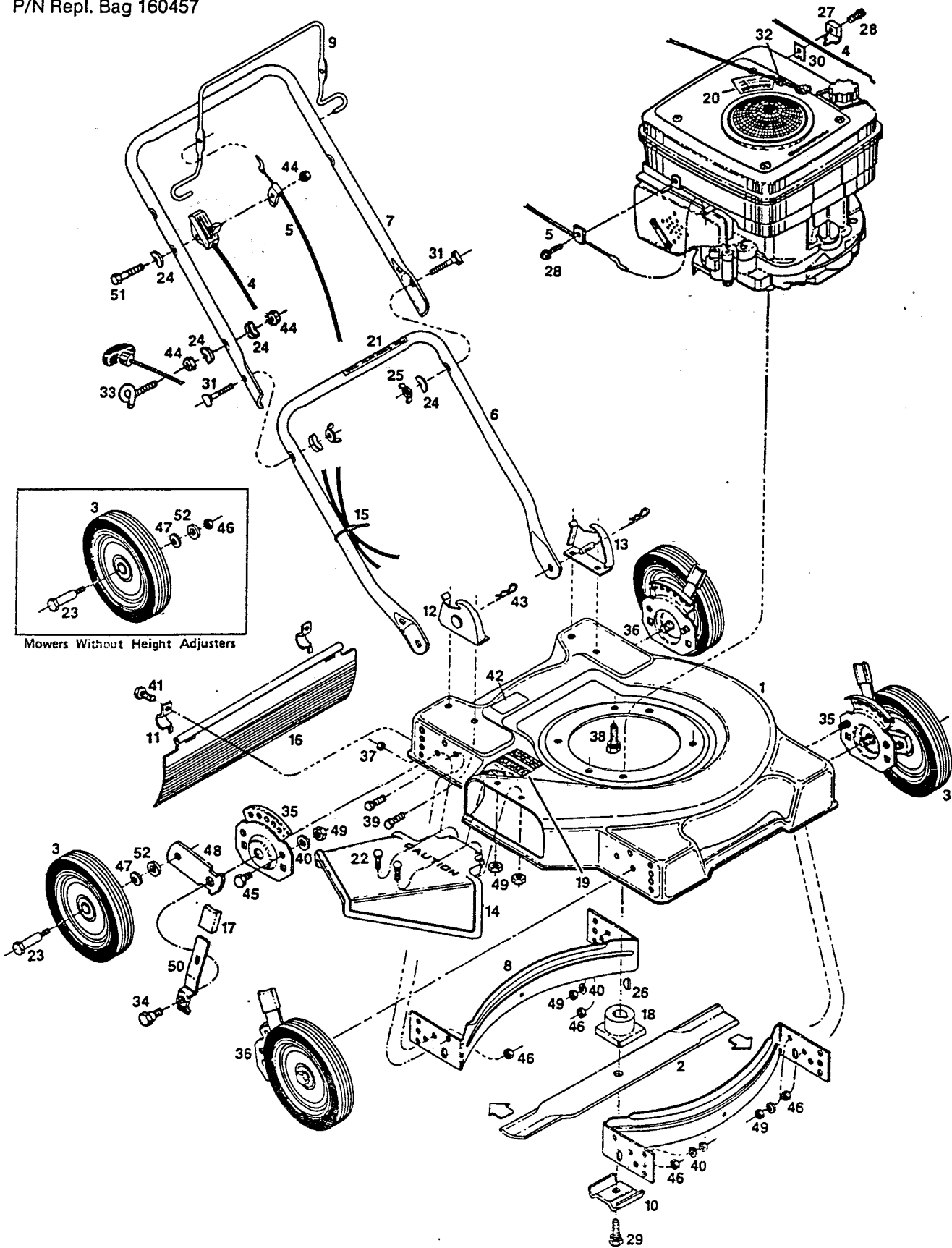


20"/22" ROTARY MOWER
MODEL WDR22G - 02235G - FUDR22G
HADR20G - MEDE22G
 Grass Catcher Model GC-6A
 P/N 160689
 P/N Repl. Bag 160457



20"/22" ROTARY MOWER
 MODEL WDR22G - 02235G - FUDR22G
 HADR20G - MEDE22G
 Grass Catcher Model GC-6A
 P/N 160689
 P/N Repl. Bag 160457

Index No.	Part No.	Description
1	013425	Deck 20"
	014043	Deck 22"
2	030031	Blade - 20" Flat
	030049	Blade - 22" Flat
3		Wheel Assemblies*
	040246	7" Plastic-White-Diamond-Nylon Bearing (4-spoke)
	041525	7" Plastic-White-Diamond-Nylon Bearing (3-spoke)
	041046	7" Steel-White-Rib-Flange Bearing
	040857	8" Plastic-White-Diamond (4-spoke)
	042432	8" Plastic-White-Diamond-Nylon Bearing (3-spoke)
	041111	8" Steel-White-Rib-Flange Bearing
4	051458	Control-Throttle w/Cable
5	051425	Cable-Engine/Blade Control
6	071563	Handle-Lower
7	071084	Handle-Upper Coated
	071076	Handle-Upper
8	101519	Baffle-Deck*
9	104687	Bail-Engine/Blade Control
10	106336	Washer-Blade Adapter
11	106914	Clip-Trailing Shield
12	107086	Handle Bracket-Right Hand
13	107094	Handle Bracket-Left Hand
14	391706	Chute Deflector Assembly
15	110379	Cable Tie
16	111617	Trailing Shield
17	111559	Plastic Tip-Setting Lever*
18	133231	Blade Adapter
19	144063	Decal-Danger
20	001206	Decal-Blade Warning
21	144899	Decal-Starting Instructions
22	150011	Bolt-Carriage 1/4-20 x 5/8

* INDICATES OPTIONAL EQUIPMENT

NOTE: Parts are right or left hand as viewed from operator position.
 Specifications subject to change without prior notice.

Index No.	Part No.	Description
23	150060	Wheel Bolt
24	150201	Washer-Curved 5/16
25	150235	Wingnut 5/16-18
26	150276	Woodruff Key #6
27	157552	Cable Clamp
28	155366	Screw #10-24 x 5/8 HWH
29	162024	Bolt-Blade
30	157560	Casing Plate
31	151928	Bolt-Curved Head 5/16-18 x 1-3/4
32	152074	Rope Stop
33	152371	Rope Guide
34	153650	Shoulder Bolt-Hgt. Adj.*
35	428664	Back Plate-Height Adjuster L.H. Front R.H. Rear*
36	428714	Back Plate-Height Adjuster R.H. Front L.H. Rear*
37	452318	Nut-#10-24 HX Nylon Insert
38	457168	Bolt-3/8-16 x 7/8 Thread Forming
39	457499	Bolt-1/4-20 x 1/2 Thread Forming
40	462093	Washer-Flat 1/4
41	458687	Bolt-Hex Head #10-24 x 1/2
42	714170	Decal-Model Number
43	715011	Hairpin Cotter
44	715037	Nut-Keps 1/4-20
45	715045	Bolt-Hex Head 1/4-20 x 3/4
46	451492	Nut-3/8-16 Top Lock Flange
47	715607	Washer-Belleville
48	777862	Wheel Lever-Height Adj.*
49	715508	Locknut 1/4-20 Top
50	776500	Setting Lever-Height Adjuster*
51	153874	Bolt-1/4-20 x 2-1/4 Hex Head
52	715417	Washer-3/8 Flat

* INDICATES OPTIONAL EQUIPMENT