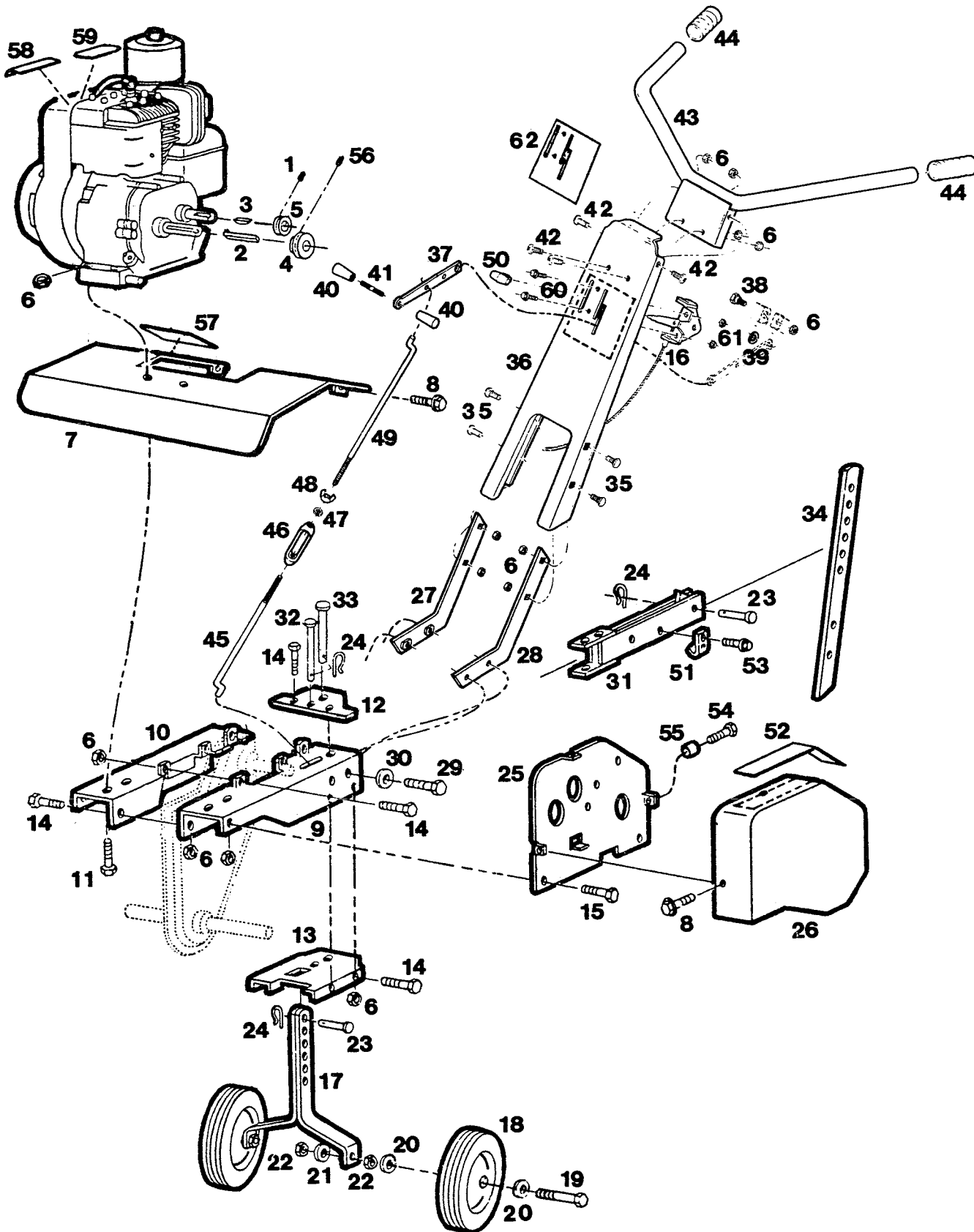


Engine and Frame Assembly

5 HP Chain Drive Tiller
With Reverse
Model WDTW5F



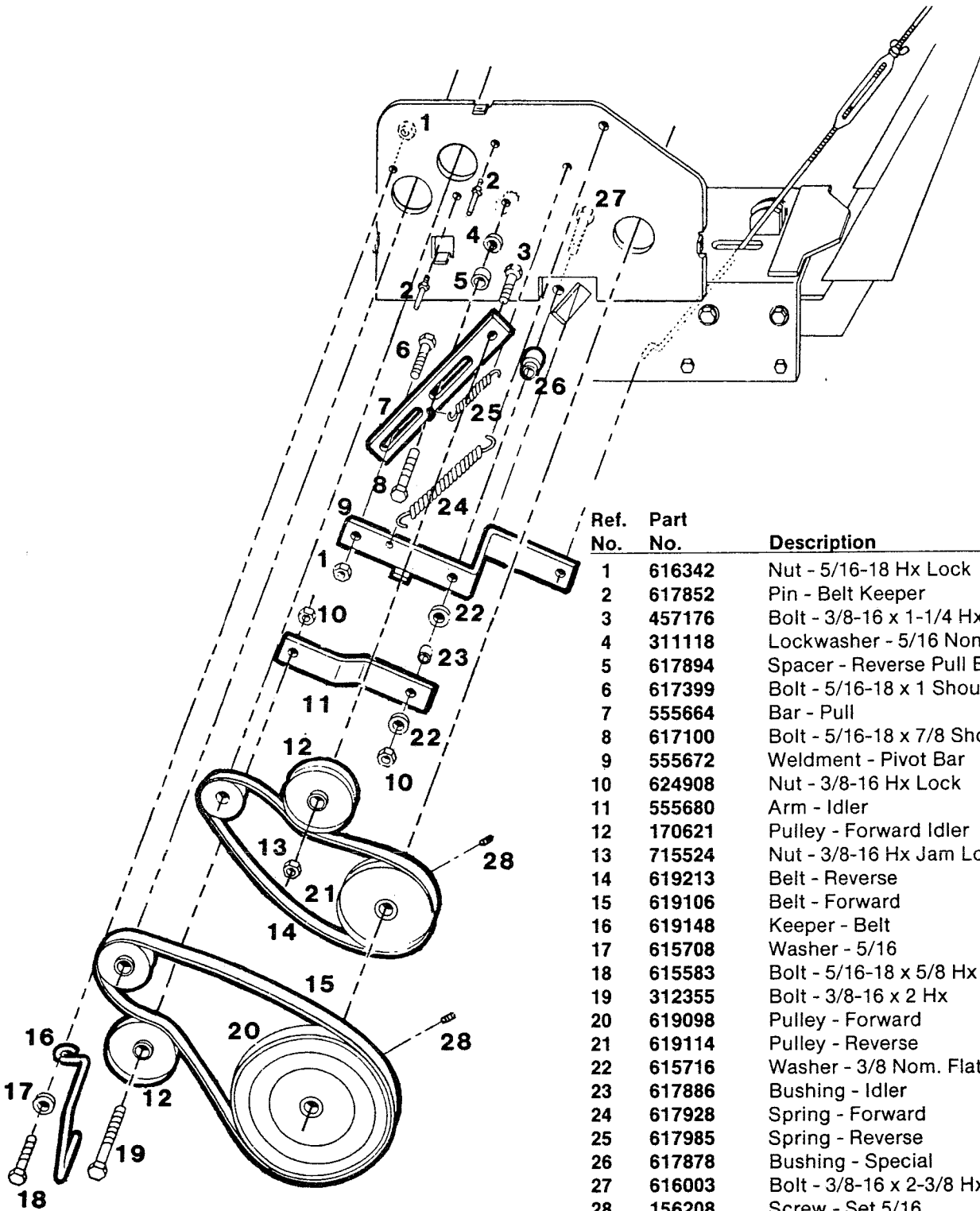
**5 HP Chain Drive Tiller
With Reverse
Model WDTW5F**

Ref. No.	Part No.	Description
1	616011	Screw - #10 Set
2	616839	Key - 3/16 Square
3	446773	Key - Woodruff
4	618744	Pulley - 2 O.D.
5	619122	Pulley - Reverse Engine
6	616342	Nut - 5/16-18 Hx Lock
7	573600	Shield - Dirt
8	624932	Screw - 1/4-20 x 1/2
9	572602	Chassis - L.H.
10	572594	Chassis - R.H.
11	616102	Bolt - 5/16-18 x 1-1/2 Hx
12	574137	Plate - Top
13	574145	Plate - Bottom
14	312066	Bolt - 5/16-18 x 3/4 Hx
15	615583	Bolt - 5/16-18 x 5/8 Hx
16	781427	Control - Throttle
17	572743	Weldment - Wheel Yoke
18	498808	Wheel - 10" Plastic
	510915	Wheel - 10" Steel
19	616516	Bolt - 1/2-13 x 3 Hx
20	151241	Washer - 1/2 Nom. Flat
21	615674	Washer - 1/2 Nom. Lock
22	615625	Nut - 1/2-13 Hex
23	616532	Pin - Clevis
24	616227	Pin - Hair
25	574186	Plate - Side
26	573618	Cover - Sheave
27	574160	Bracket - R.H. Handle
28	574152	Bracket - L.H. Handle
29	616128	Bolt - 3/8-16 x 3/4 Hx
30	615666	Washer - 3/8 Nom. Lock

Ref. No.	Part No.	Description
31	618074	Weldment - Stabilizer
32	618041	Pin - Lock
33	618033	Pin - Pivot
34	572362	Stake
35	615997	Bolt - 5/16-18 x 5/8 Carriage
36	574459	Panel - Handle
37	555177	Lever - Shift
38	617100	Bolt - 5/16-18 x 7/8 Shoulder
39	617118	Washer - 5/16 Spring
40	628651	Knob - Threaded
41	615559	Stud
42	616037	Screw - 5/16-18 x 1-1/2
43	574699	Bar - Handle
44	751032	Grip - Handle
45	616888	Rod - Connecting
46	616847	Turn Buckle
47	715094	Washer - 1/4 Nom. Lock
48	152330	Wingnut - 1/4-20
49	618173	Rod - Linkage
50	744037	Knob - Throttle Lever
51	617654	Stake Spring
52	551655	Decal - Warning
53	617414	Screw - 5/16-18 Self Tap
54	616169	Screw - 1/4 x 1 Self Tap
55	617159	Spacer
56	156208	Screw - Set 5/16"
57	551648	Decal - Caution
58	55713	Decal - Place Free Hand Here
59	551846	Decal - Caution Disengage
60	458687	Screw - 10-24 x 1/2 Hx
61	715334	Nut - 10-24 Hx Keps
62	552430	Decal Handle Panel

Drive Assembly

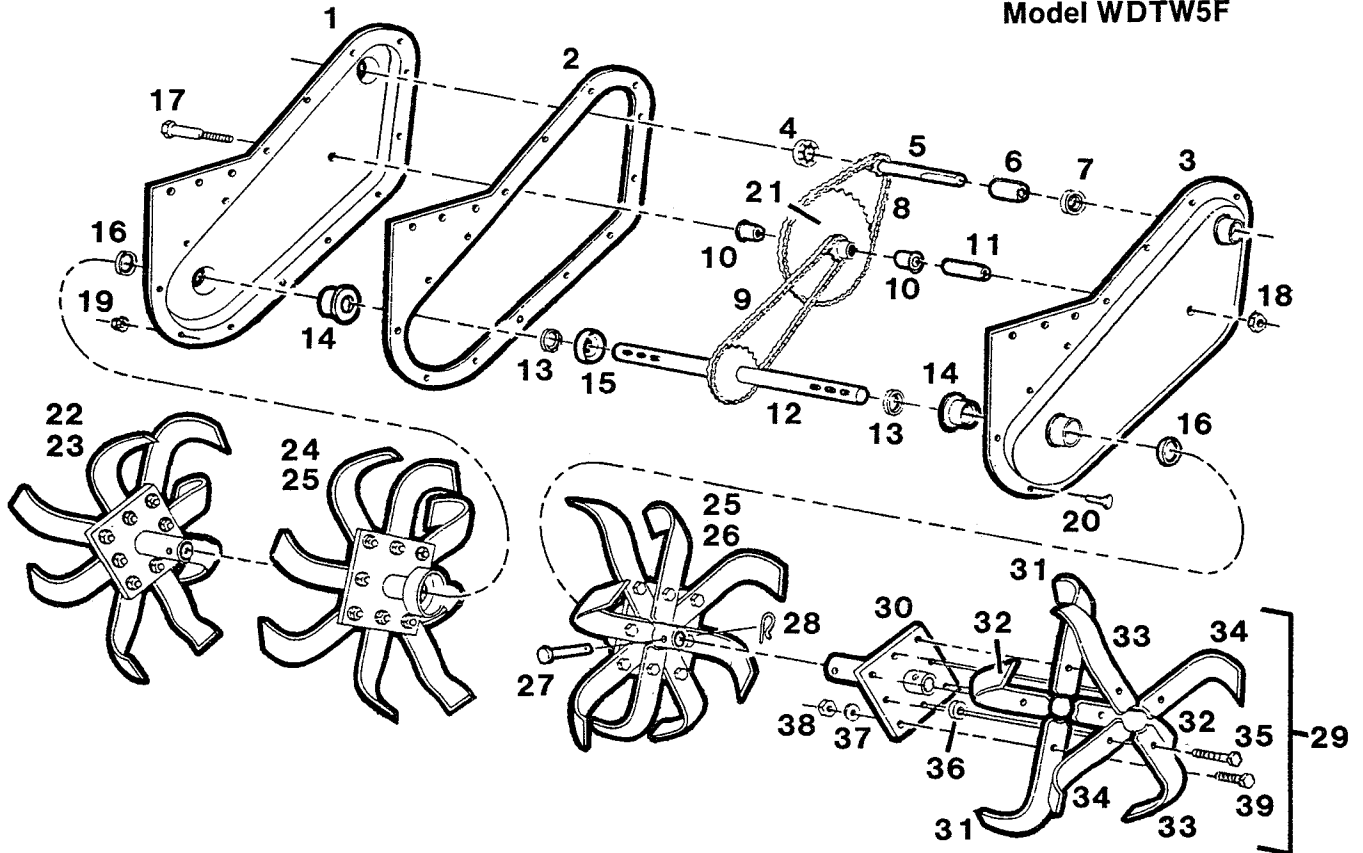
5 HP Chain Drive Tiller W/Reverse Model WDTW5F



Ref. No.	Part No.	Description
1	616342	Nut - 5/16-18 Hx Lock
2	617852	Pin - Belt Keeper
3	457176	Bolt - 3/8-16 x 1-1/4 Hx
4	311118	Lockwasher - 5/16 Nom.
5	617894	Spacer - Reverse Pull Bar
6	617399	Bolt - 5/16-18 x 1 Shoulder
7	555664	Bar - Pull
8	617100	Bolt - 5/16-18 x 7/8 Shoulder
9	555672	Weldment - Pivot Bar
10	624908	Nut - 3/8-16 Hx Lock
11	555680	Arm - Idler
12	170621	Pulley - Forward Idler
13	715524	Nut - 3/8-16 Hx Jam Lock
14	619213	Belt - Reverse
15	619106	Belt - Forward
16	619148	Keeper - Belt
17	615708	Washer - 5/16
18	615583	Bolt - 5/16-18 x 5/8 Hx
19	312355	Bolt - 3/8-16 x 2 Hx
20	619098	Pulley - Forward
21	619114	Pulley - Reverse
22	615716	Washer - 3/8 Nom. Flat
23	617886	Bushing - Idler
24	617928	Spring - Forward
25	617985	Spring - Reverse
26	617878	Bushing - Special
27	616003	Bolt - 3/8-16 x 2-3/8 Hx
28	156208	Screw - Set 5/16

Transmission & Tine Assemblies

5 HP Chain Drive Tiller
With Reverse
Model WDTW5F



Ref. No.	Part No.	Description
1	572719	Case - R.H. Chain
2	618231	Gasket - Chain Case
3	572701	Case - L.H. Chain
4	619049	Bearing - Ball 1/2 I.D.
5	619031	Shaft - Input
6	619064	Spacer - Input Shaft
7	619056	Bearing - Ball 5/8 I.D.
8	619023	Chain - No. 40-42 Pitch
9	619015	Chain - No. 50-42 Pitch
10	617597	Bearing - Oilite Input Set
11	618025	Spindle
12	618116	Weldment - Axle
13	619007	Spacer - Axle
14	618975	Bearing - Axle
15	618066	Spacer - Axle (Cup)
16	616565	Seal - Axle Shaft
17	616003	Bolt - 3/8-16 x 2-3/8
18	624908	Nut - 3/8-16 Lock
19	616151	Nut - 1/4-20 Lock

Ref. No.	Part No.	Description
20	449587	Bolt - 1/4-20 x 5/8
21	618991	Weldment - Sprocket
22	571513	Tine Assembly - R.H. Ext.
23	617746	Weldment - Tube & Plate
24	572727	Tine Assembly - R.H. Basic
25	619502	Weldment - Tube & Plate
26	572735	Tine Assembly - L.H. Basic
27	616532	Pin - Tine
28	616227	Pin - Hair
29	571521	Tine Assembly - L.H. Ext.
30	617738	Weldment - Tube & Plate
31	556225	Tine Blade - R.H. 13" Slicer
32	556233	Tine Blade - L.H. 13" Slicer
33	556209	Tine Blade - R.H. 11" Slicer
34	556217	Tine Blade - L.H. 11" Slicer
35	624957	Bolt - 3/8-24 x 1-1/4 Gr. 5
36	617787	Spacer
37	615666	Lockwasher - 3/8 Nom.
38	615633	Nut - 3/8-24
39	624940	Bolt - 3/8-24 x 1 Gr. 5