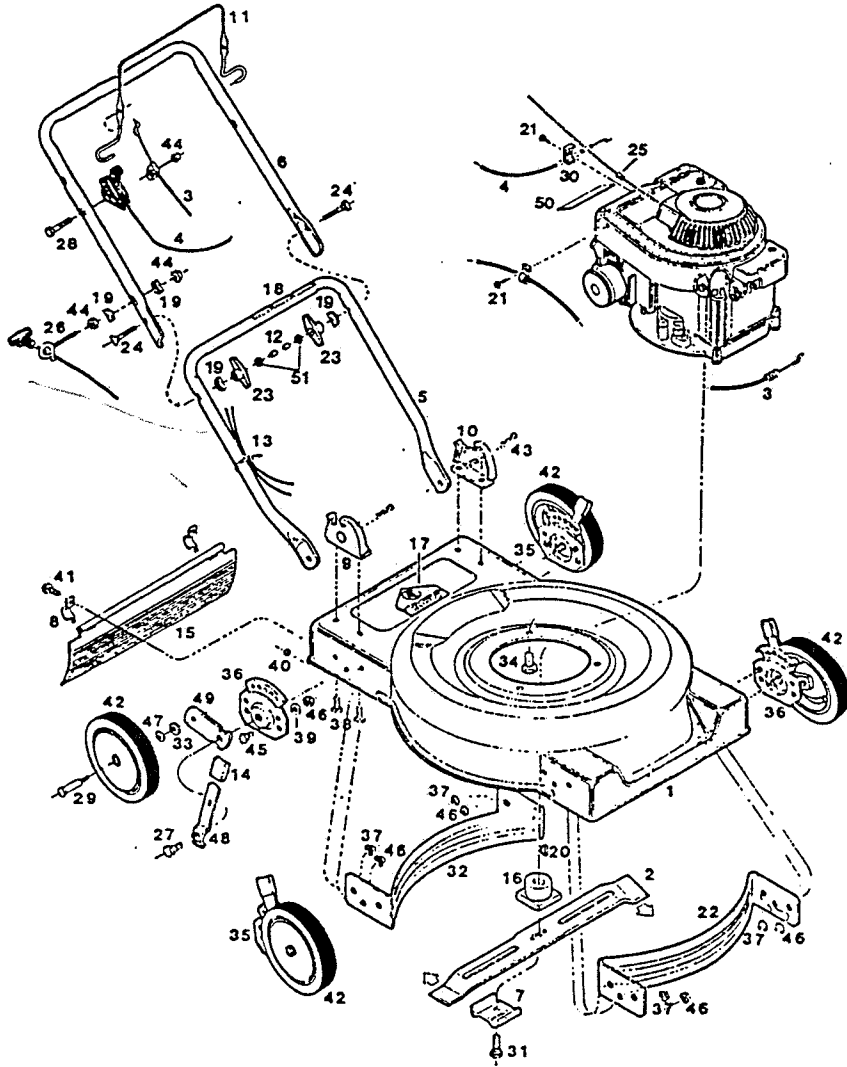


**MODEL: WM3L
20" CUT MULCHING ROTARY MOWER**



INDEX NO.	PART NO.	DESCRIPTION
1	023309	Deck 20" Mulcher
2	030189	Blade - 20" Mulcher
3	052142	Cable - Engine/Blade Control
4	051219	Control - Throttle
5	071563	Handle - Lower
6	071084	Handle - Upper
7	106236	Washer - Blade Adapter
8	106914	Clip - Trailing Shield
9	092601	Handle Bracket - R.H.
10	092619	Handle Bracket - L.H.
11	104687	Ball - Engine/Blade Control
12	110064	Bolt Cap - Plastic
13	110379	Cable Tie
14	114462	Plastic Tip - Setting Lever
15	114397	Trailing Shield - Plastic
16	133231	Blade Adapter
17	143115	Decal - Danger
18	715557	Decal - Starting Instructions
19	150201	Washer - Curved 5/16"
20	150276	Woodruff Key No. 6
21	150623	Screw - Self Tap #10 x 5/8
22	085878	Baffle - Front
23	113589	Wing Knob Handle
24	151936	Bolt-Curved Head 5/16-18 x 2-1/4
25	152074	Rope Stop
26	152371	Rope Guide
27	153650	Shoulder Bolt - Height Adjuster
28	153874	Bolt - 1/4-20 x 2-1/4 Hex
29	150060	Wheel Bolt
30	150318	Clamp - Cable
31	162024	Bolt - Blade 3/8-24 x 1-1/4 Gr. 8
32	089128	Baffle - Rear
33	158469	Washer - Flat
34	457168	Bolt - 3/8-16 x 7/8 TDFM
35	092650	Back Plate - Height Adjuster R.H. Front L.H. Rear
36	092643	Back Plate - Height Adjuster L.H. Front R.H. Rear
37	156406	Nut - 3/8-16 Toplock Flange
38	457499	Bolt - 1/4-20 x 1/2 Thread Forming
39	462093	Washer - 1/4
40	452318	Nut #10-24 Hex Nylon Insert
41	458687	Bolt - #10-24 x 1/2
42	043018	Wheel - 8 x 1.75 Plastic
43	715011	Hairpin Cotter
44	715037	Nut - 1/4-20 Keps
45	715045	Bolt - 1/4-20 x 3/4
46	715508	Locknut 1/4-20
47	715607	Washer - Belleville
48	776500	Setting Lever - Height Adjuster
49	092668	Wheel Lever - Height Adjuster
50	009415	Decal - Blade Warning
51	310045	Nut - 5/16-18 Hex

- When servicing this unit use only genuine General Power OEM replacement parts that are specifically designed and engineered for this particular model.
- Do not operate unit unless all parts are properly attached and in good working order.
- Parts are right or left hand as viewed from the operator's position.
- Specifications are subject to change without notice.

S/N 231761/232090
P/L 796348
O/M 082566
E/M 189985