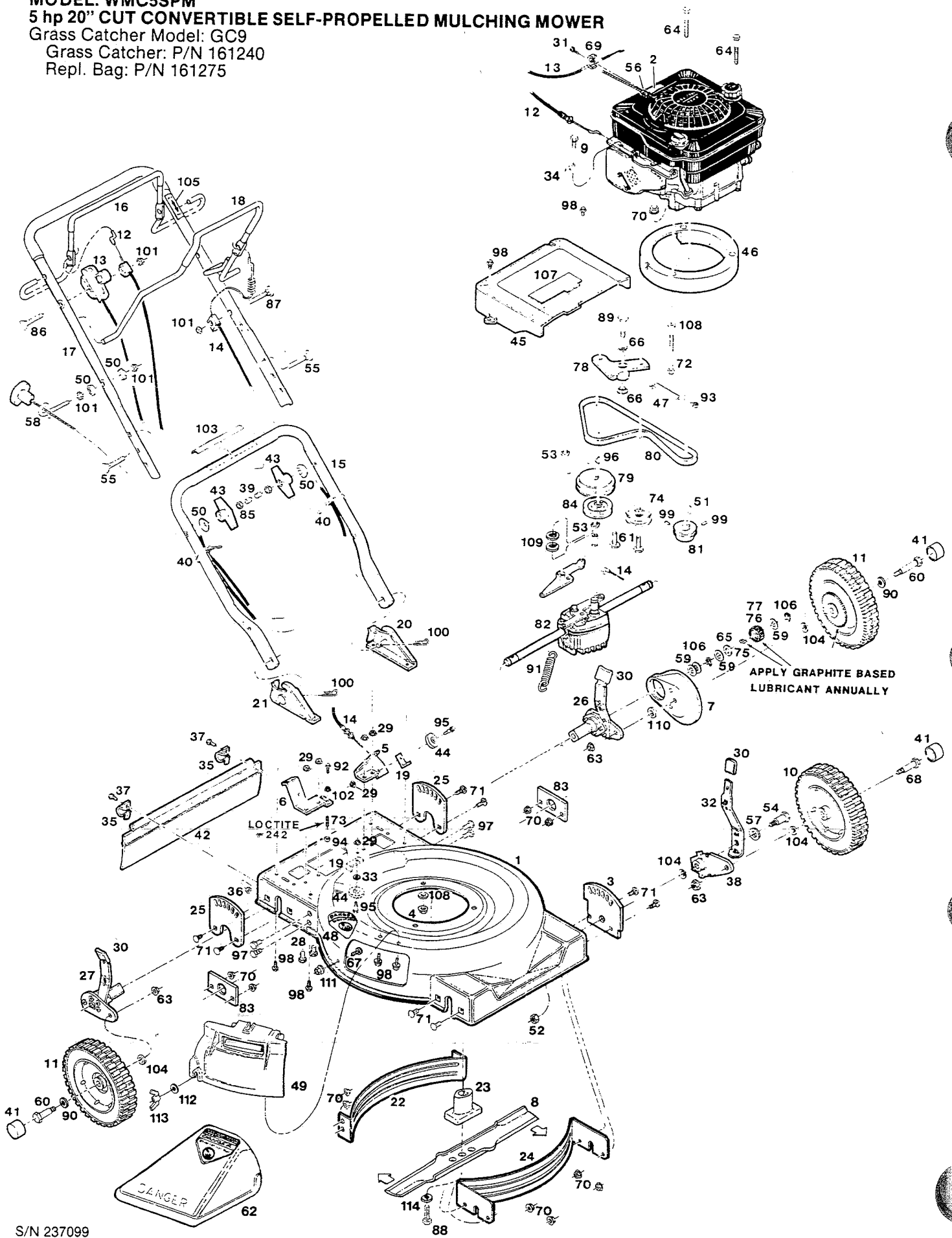


MODEL: WMC5SPM
5 hp 20" CUT CONVERTIBLE SELF-PROPELLED MULCHING MOWER
 Grass Catcher Model: GC9
 Grass Catcher: P/N 161240
 Repl. Bag: P/N 161275



S/N 237099
 P/L 082469
 O/M 082620
 E/M 082690

MODEL: WMC5SPM
5 hp 20" CUT CONVERTIBLE SELF-PROPELLED MULCHING MOWER
 Grass Catcher Model: GC9
 Grass Catcher: P/N 161240
 Repl. Bag: P/N 161275

Index No.	Part No.	Description	Index No.	Part No.	Description
1	023685	Deck 20" Mulcher	58	152371	Rope Guide
2	001206	Decal - Warning Blade Rotation	59	152553	Washer-Thrust 1/2
3	093146	Plate - Height Adjuster - Front	60	154328	Bolt - Wheel, Rear
4	616342	Nut - 5/16-18 Center Lock	61	154369	Bolt - 3/8-16 x 1 1/4 Shaved Head
5	088674	Bracket - Pulley Mounting	62	115295	Chute Deflector Assembly
6	088658	Bracket - Trans Pulley	63	156406	Nut - Hex 3/8-16 Flange
7	022236	Cover - Drive Wheel	64	156463	Bolt - Hex 5/16-18 x 2-3/4 Gr. 5
8	031401	Blade - 20" Mulcher	65	156638	Washer - Flat 1/2
9	164434	Screw - #10 - 16 x 1/2 Hex Hd.	66	156653	Bearing - Flange Nylon
10	041426	Wheel - Front 8"	67	155341	Stud - 1/4-20 x 7/8
11	041442	Wheel - Rear 8" w/Gear	68	150730	Bolt - Wheel, Front
12	052209	Cable - Engine/Blade Control	69	157552	Clamp - Cable
13	052279	Cable - Throttle Control	70	157610	Locknut - Flange 5/16-18
14	052522	Cable - Drive Engagement	71	158907	Bolt - Carriage 5/16-18 x 5/8
15	071563	Handle - Lower	72	163964	Bolt - 5/16-18 x 4 Gr. 5
16	104687	Bail - Engine/Blade Control	73	163840	Stud - Short
17	073247	Handle - Upper	74	170621	Pulley - Idler, Flat
18	085654	Bail - Ground Drive	75	171041	Dog - Drive
19	096305	Bracket Cable Retainer	76	171058	Gear - Drive RH
20	093161	Bracket - Handle LH	77	171066	Gear - Drive LH
21	093153	Bracket - Handle RH	78	171496	Arm - Idler
22	087080	Baffle - Rear	79	171819	Pulley - 2 Speed
23	093443	Blade Adapter	80	171652	V-Belt
24	087288	Baffle - Front	81	171660	Sheave - Engine
25	093120	Plate - Height Adjuster - Rear	82	171751	Transmission Assembly
26	089987	Wheel Arm Assembly L.H. Rear	83	179176	Support - Wheel Hub
27	089979	Wheel Arm Assembly R.H. Rear	84	305367	Pulley - Idler V-Groove
28	457044	Bolt - 1/4-20 x 1/2	85	310045	Nut - 5/16-18
29	715078	Nut - 1/4-20 Flange Lock	86	380550	Bolt - Curved Head 1/4-20 x 2 1/4
30	114462	Tip - Plastic	87	150029	Bolt - Curved Head 1/4 x 1 1/2
31	150623	Screw - Hex Slotted #10 x 5/8	88	164533	Bolt - Blade 3/8-24 x 2 1/2 Gr. 8
32	091817	Lever Height Adjuster - Front	89	381665	Bolt - Shoulder
33	158956	Washer - 1/4	90	156620	Washer 1/2 x 1
34	164442	Clip-J 1/4	91	381780	Spring - Transmission Return
35	106914	Clip-Trailing Shield	92	150326	Screw #10-24 x 1/2 Hex Slot Head
36	452318	Nut #10-24 Hex Nylon Insert	93	381889	Clip - "U" Tinnerman
37	458687	Bolt #10-24 x 1/2	94	382150	Spacer
38	091819	Wheel Arm - Front	95	158683	Bolt - Shoulder 1/4-20
39	110064	Cap - Plastic Bolt	96	446450	Key - Woodruff
40	110379	Cable Tie	97	159780	Bolt - Hex 5/16-18 x 5/8 Flange
41	112045	Cap-Hub	98	457499	Bolt - 1/4-20 x 1/2 Thread Forming
42	114421	Trailing Shield - Plastic	99	315093	Screw Set 5/16-18 x 1/4
43	113589	Knob - Handle	100	715011	Hairpin Cotter
44	112177	Pulley - Drive Cable	101	715037	Nut - 1/4-20 Keps
45	115429	Cover - Transmission	102	715334	Nut #10-24 Keps
46	114132	Spacer - Engine	103	715557	Decal - Starting Instructions
47	135665	Spring - Extension	104	715607	Washer - Belleville
48	144063	Decal - Warning CPSC	105	794412	Decal - Drive Control
49	093922	Mulch Cover Assembly	106	153940	Ring - Transmission - Axle
50	150201	Washer - Curved 5/16	107	794974	Decal - Heat Reflector
51	150276	Woodruff Key #6	108	158212	Washer - 5/16
52	715441	Nut 3/8-16 Twin Whiz	109	162289	Spacer - Notched
53	151282	Ring - Transmission - Top	110	158469	Washer - 3/8 flat
54	164897	Bolt - Shoulder	111	715078	Nut - 1/4 - 20 Flange Lock
55	151936	Bolt - Curved Head 5/16-18 x 2 1/4	112	615690	Washer - 1/4 Flat
56	152074	Rope Stop	113	587998	Wing Nut
57	164020	Washer - Hardened	114	156919	Lockwasher 3/8 H.D.

S/N 237099
 P/L 082469
 O/M 082620
 E/M 082690