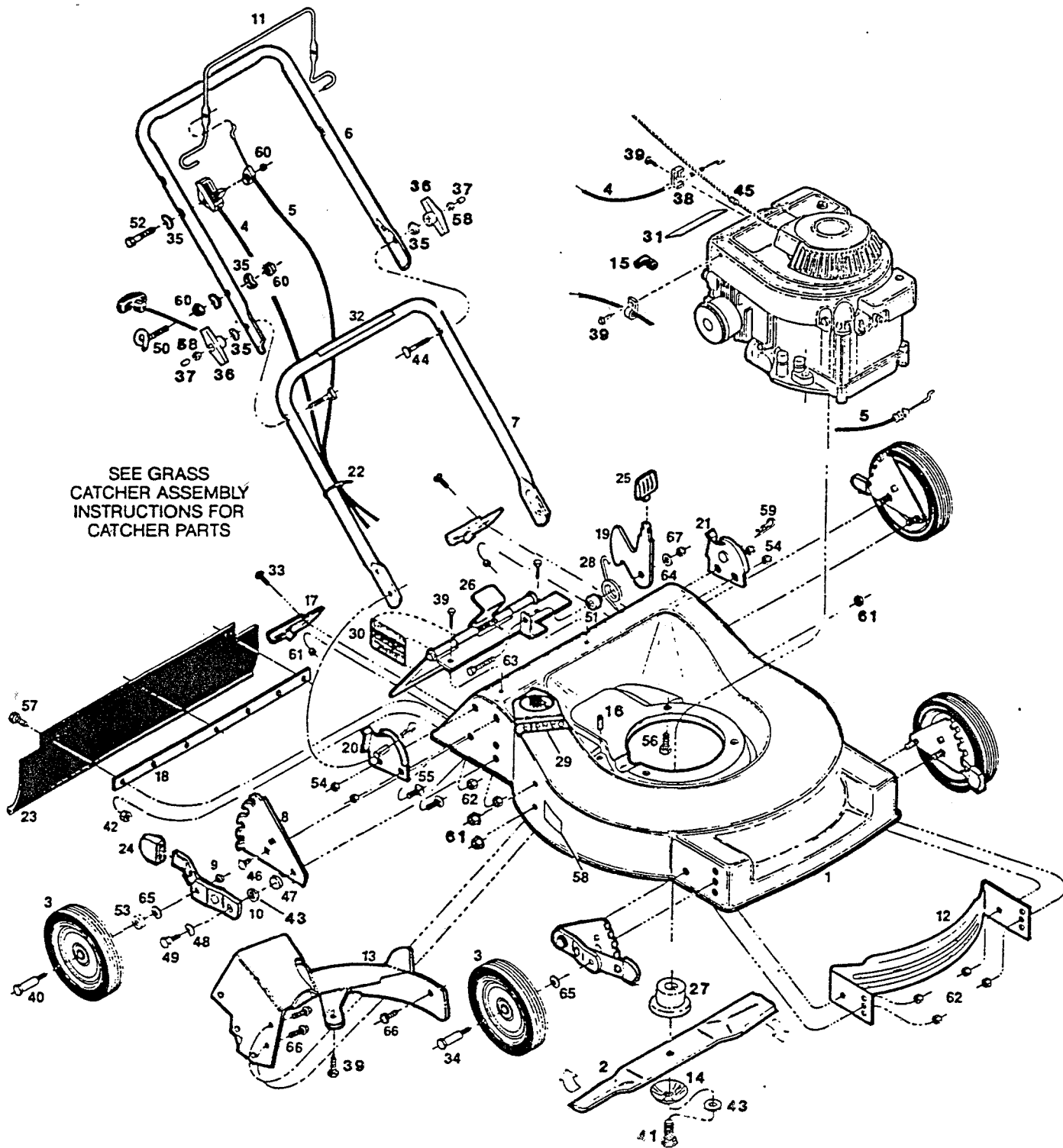


MODEL: WRB21L
21" CUT REAR-BAGGING ROTARY MOWER
Grass Catcher Assembly Included, see p. 77
 Grass Catcher: P/N 127084
 Repl. Bag: P/N 160184
 Mulching Kit: P/N 394270



S/N 231720
 P/L 798256
 O/M 082566
 E/M 169985

MODEL: WRB21L
21" CUT REAR-BAGGING ROTARY MOWER
Grass Catcher Assembly Included, see p. 77
 Grass Catcher: P/N 127084
 Repl. Bag: P/N 160184
 Mulching Kit: P/N 394270

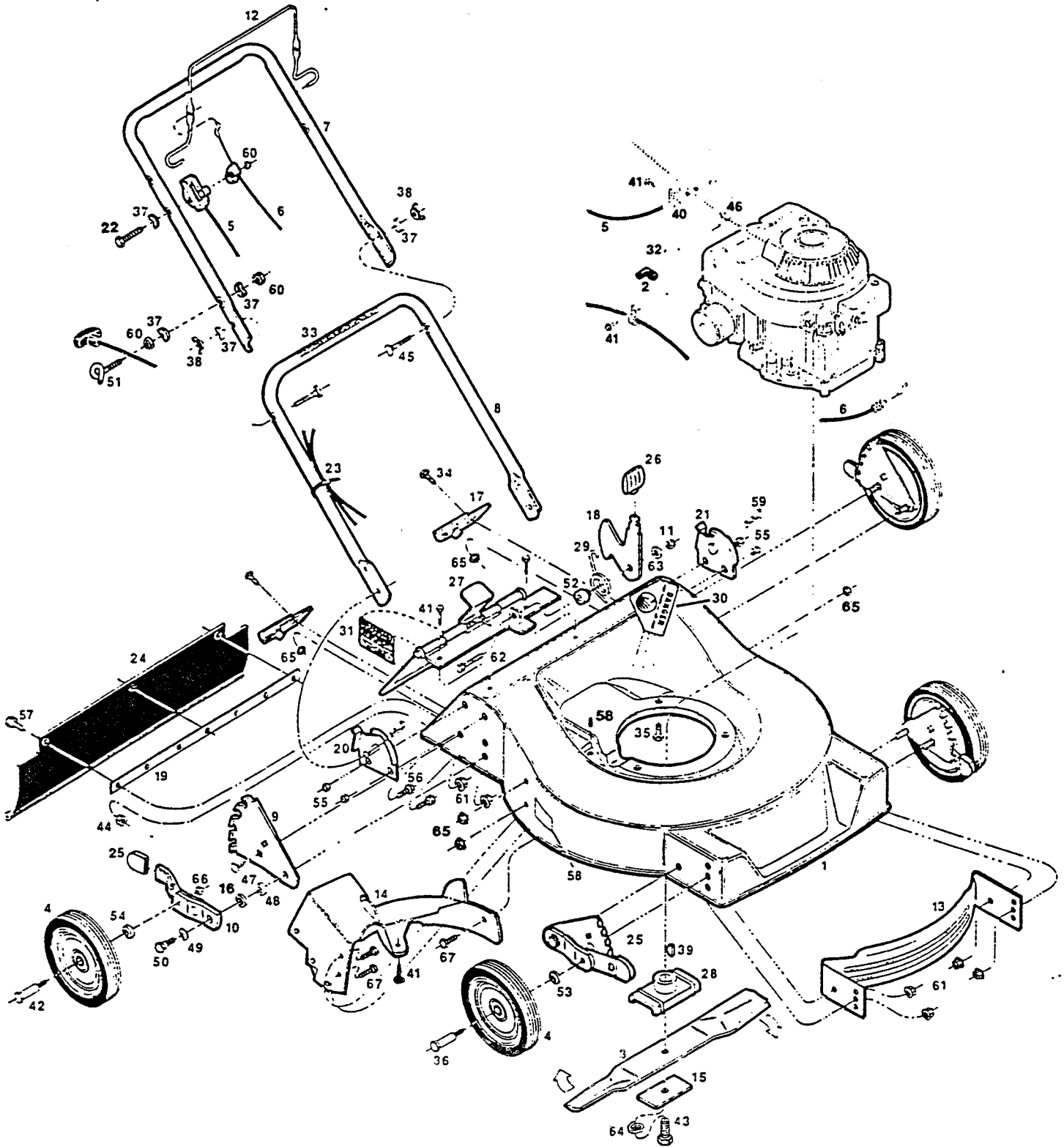
Index No.	Part No.	Description	Index No.	Part No.	Description
1	023291	Deck 21" Rear Bagger - Red	34	382325	Shoulder Bolt—Front—for Plastic Wheels
	023119	Deck 21" Rear Bagger - Green		150730	Shoulder Bolt—Front—for Steel Wheels
2	031377	Blade 21" Offset	35	150201	Washer—Curved 5/16
3		Wheel Assemblies*	36	113589	Wing Knob
	043018	8" Plastic-White-Diamond	37	110064	Bolt Cap
	042911	8" Steel-White-Diamond	38	150318	Cable Clamp
4	052472	Control—Throttle w/cable	39	150623	Screw—Hex Head Sheet Metal #10x5/8
5	052787	Cable—Engine/Blade Control	40	382333	Bolt—Wheel Rear
6	071076	Handle—Upper	41	157255	Bolt—Blade 3/8-24 x 1 1/4"
	071084	Handle—Upper with Cushion Grip*	42	452318	Nut #10-24 Hex Nylon Insert
7	071449	Handle—Lower	43	156877	Washer—3/8 Hardened
8	093104	Back Plate—Height Adjuster	44	151936	Bolt—Curved Head Crg 5/16-18 x 1 1/4
9	715524	Locknut—3/8-16 Jam	45	152074	Rope Stop
10	093098	Wheel Arm Assembly	46	152405	Bolt—Carriage 3/8-16 x 3/4
11	104687	Bail—Engine/Blade Control	47	156182	Washer—Plastic-Height Adjuster
12	092825	Baffle—Front	48	152421	Washer—Spring-Height Adjuster
13	085100	Baffle Assembly—Rear	49	156125	Shoulder Bolt—Height Adjuster
14	164681	Blade Washer—Conical	50	152371	Rope Guide
15	110833	Cover—Spark Plug	51	152637	Spacer—Catcher Latch
16	111856	Cap—Plastic	52	153874	Bolt—1/4-20 x 2 1/4
17	109546	Catcher Frame Bracket	53	152686	Spacer—Rear Wheel
18	109496	Backing Strip—Trailing Shield	54	310151	Locknut—5/16-18 Nylock
19	108324	Catcher Latch	55	450346	Bolt—Hex 5/16-18 x 3/4
20	093054	Handle Bracket—Right Hand	56	457168	Bolt—3/8-16 x 7/8 Thread Forming
21	093062	Handle Bracket—Left Hand	57	458687	Bolt—Hex Head 10-24 x 1/2
22	110379	Cable Tie	58	310045	Nut—5/16-18 Hex
23	111633	Trailing Shield	59	715011	Hitch Pin #3
24	110510	Plastic Tip—Height Adjuster	60	715037	Locknut—1/4-20 Keps
25	111724	Knob—Catcher Latch	61	715078	Nut—1/4-20 Flange Whiz
26	013706	Door Assembly	62	156406	Nut—3/8-16 Flange Lock
27	092221	Blade Adapter	63	715292	Bolt—Hex Head 1/4-20 x 1
28	133371	Torsion Spring—Catcher Latch	64	715300	Washer—1/4"
29	143115	Decal—Danger	65	715607	Washer—Belleville
30	795039	Decal—Door Warning	66	156851	Bolt—1/4-20x 3/8 Shaved Head
31	009415	Decal—Blade Warning	67	715508	Locknut—1/4-20 Top
32	715557	Decal—Starting Instructions	68	156919	Lockwasher—3/8 HD Split
33	150011	Bolt—Carriage 1/4-20 x 5/8 Gr. 5			

*INDICATES OPTIONAL EQUIPMENT

*INDICATES OPTIONAL EQUIPMENT

- When servicing this unit use only genuine General Power OEM replacement parts that are specifically designed and engineered for this particular model.
- Do not operate unit unless all parts are properly attached and in good working order.
- Parts are right or left hand as viewed from the operator's position.
- Specifications are subject to change without notice.

MODEL: WHB21L
21" CUT REAR-BAGGING ROTARY MOWER
 Grass Catcher Assembly Included, see p. 77
 Grass Catcher: P/N 127084
 Repl. Bag: P/N 160184
 Mulching Kit: P/N 394270



S/N 232082
 P/L 188821
 O/M 187690
 E/M 189985

MODEL: WRB21L
21" CUT REAR-BAGGING ROTARY MOWER
 Grass Catcher Assembly Included, see p. 77
 Grass Catcher: P/N 127084
 Repl. Bag: P/N 160184
 Mulching Kit: P/N 394270

Index No.	Part No.	Description	Index No.	Part No.	Description
1	018630	Deck—21"	32	009415	Decal—Blade Warning
2	110833	Cover-Spark Plug	33	715557	Decal—Starting Instructions
3	030338	Blade—21"	34	150011	Bolt—Carriage 1/4-20 x 5/8 Gr. 5
4		Wheel Assemblies*	35	457168	Bolt—3/8-16 x 7/8 Thread Forming
	040741	8" Plastic-White-Cog-Nylon Bearing	36	382325	Shoulder Bolt—Wheel Front
	041111	8" Steel-White-Rib-Flange Bearing	37	150201	Washer—Curved 5/16
	042432	8" Plastic-White-Diamond-Nylon Bearing	38	150235	Wing Nut 5/16-18
	043018	8" Plastic-White-Diamond	39	150276	Woodruff Key #6
5	052472	Control—Throttle w/Cable	40	150318	Cable Clamp
6	052787	Cable—Engine/Blade Control	41	150623	Screw—Hex Head Sheet Metal #10 x 5/8
7	071076	Handle—Upper	42	382333	Shoulder Bolt—Wheel Rear
	071084	Handle Upper-Coated	43	157255	Bolt—Blade 3/8-24 x 1 Gr. 5
8	071449	Handle—Lower	44	452318	Locknut—10-24 Hex
9	091249	Back Plate—Height Adjuster	45	151928	Bolt—Curved Head Crg 5/16-18 x 1-3/4
10	085019	Wheel Arm Assy	46	152074	Rope Stop
11	715508	Locknut 1/4-20 Top	47	152405	Bolt—Carriage 3/8-18 x 3/4
12	104687	Bail—Engine/Blade Control	48	156182	Washer—Plastic—Height Adjuster
13	105825	Baffle—Front	49	152421	Washer—Spring—Height Adjuster
14	085100	Baffle Assembly-Rear	50	156125	Shoulder Bolt—Height Adjuster
15	106005	Blade Washer	51	152371	Rope Guide
16	156877	Washer-3/8 Hardened	52	152637	Spacer—Catcher Latch
17	109546	Catcher Frame Bracket	53	715607	Washer - 3/8 Belleville
18	108324	Catcher Latch	54	152686	Spacer—Rear Wheel
19	109496	Trailing Shield Mounting Strip	55	310151	Locknut—5/16-18 Nylok
20	097162	Handle Bracket—Right Hand	56	450346	Bolt-5/16-18 x 3/4
21	097170	Handle Bracket—Left Hand	57	458687	Bolt—Hex Head 10-24 x 1/2
22	153874	Bolt - 1/4 - 20 x 2 1/4 Hex Head	58	111856	Cap — Bolt
23	110379	Cable Tie	59	715011	Hitch Pin #3
24	111633	Trailing Shield—Plastic	60	715037	Locknut 1/4-20 Keps
25	110510	Plastic Tip—Height Adjuster	61	156406	Nut-3/8-16 Flange TopLock
26	111724	Knob—Catcher Latch	62	715292	Bolt—Hex Head 1/4-20 x 1
27	013706	Door Assembly	63	462093	Washer 1/4"
28	126466	Blade Adapter	64	156919	Lockwasher 3/8 HD Split
29	133371	Torsion Spring—Catcher Latch	65	715078	Nut-Flange Whiz 1/4-20
30	143115	Decal—Danger	66	715524	Nut-3/8-16 Lock
31	795039	Decal—Door Warning	67	156851	Bolt 1/4-20 x3/8 Shaved HD

• INDICATES OPTIONAL EQUIPMENT

- When servicing this unit use only genuine General Power OEM replacement parts that are specifically designed and engineered for this particular model.
- Do not operate unit unless all parts are properly attached and in good working order.
- Parts are right or left hand as viewed from the operator's position.
- Specifications are subject to change without notice.