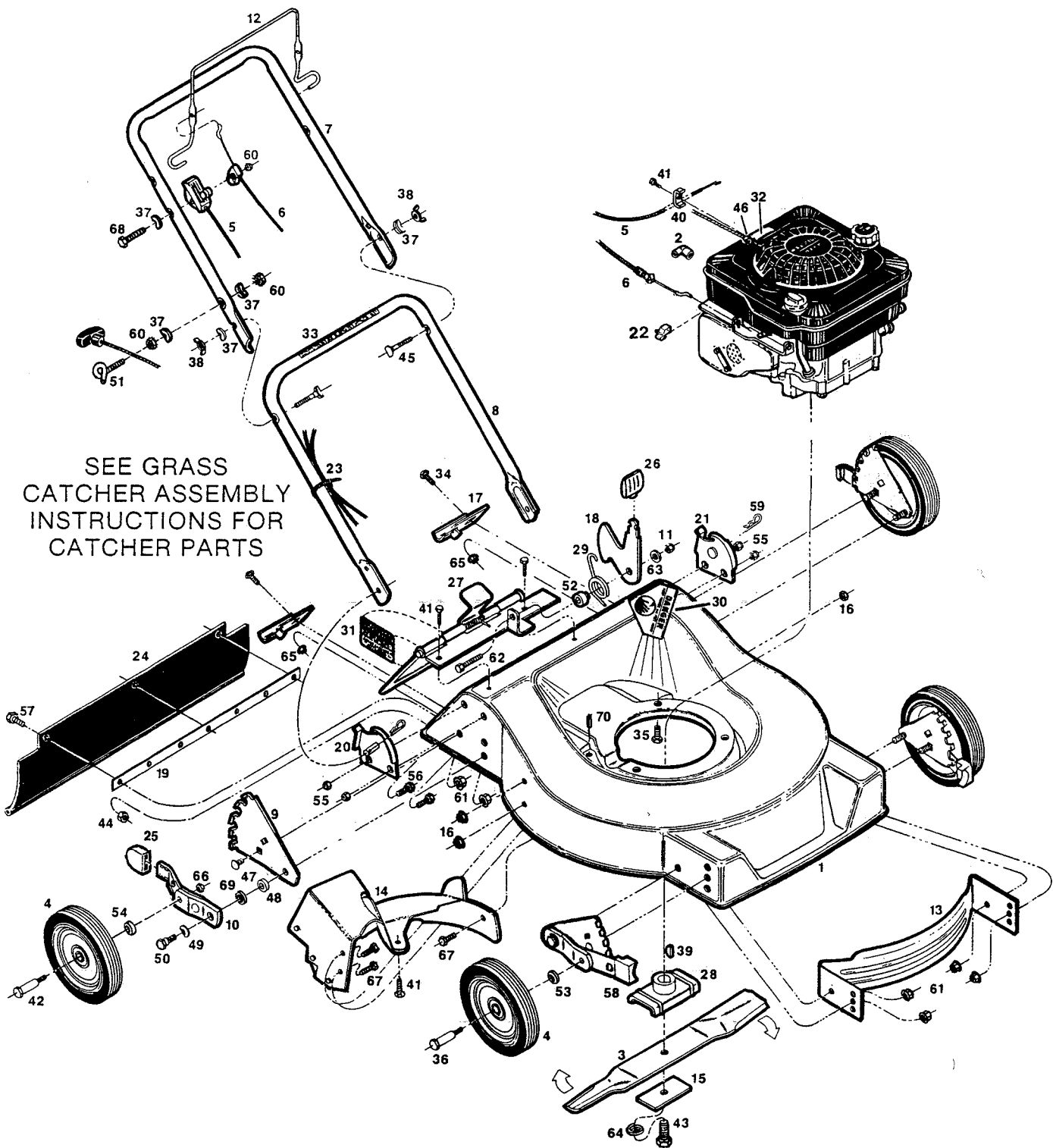


21" REAR BAGGING ROTARY MOWER
MODEL: WRBD4Q21-J
 Grass Catcher Model: HTRBGB P/N 160986
 Repl. Bag: P/N 160895
 See Page 13 for Assembly



21" REAR BAGGING ROTARY MOWER

MODEL: WRBD4Q21-J

Grass Catcher Model: HTRBGB P/N 160986

Repl. Bag: P/N 160895

See Page 13 for Assembly

Index No.	Part No.	Description	Index No.	Part No.	Description
1	018630	Deck—21"	34	150011	Bolt—Carriage 1/4-20 x 5/8 Gr. 5
2	110833	Cover-Spark Plug	35	457168	Bolt—3/8-16 x 7/8 Thread Forming
3	030338	Blade—21"	36	150730	Shoulder Bolt—Wheel Front
4		Wheel Assemblies*	37	150201	Washer—Curved 5/16
	041921	8" Plastic-White-Cog-Nylon Bearing	38	150235	Wing Nut 5/16-18
	041848	8" Steel-White-Rib-Flange Bearing	39	150276	Woodruff Key #6
	041905	8" Plastic-White-Diamond-Nylon Bearing	40	150318	Cable Clamp
	042432	8" Plastic-White-Diamond (3-spoke)	41	150623	Screw—Hex Head Sheet Metal #10 x 5/8
5	052019	Control—Throttle w/Cable	42	156133	Shoulder Bolt—Wheel Rear
6	052134	Cable—Engine/Blade Control	43	157255	Bolt—Blade 3/8-24 x 1 Gr. 5
7	071084	Handle—Upper Coated	44	452318	Locknut—10-24 Hex
	071076	Handle—Upper	45	151928	Bolt—Curved Head Crg 5/16-18 x 1-3/4
8	071449	Handle—Lower	46	152074	Rope Stop
9	091249	Back Plate—Height Adjuster	47	152405	Bolt—Carriage 3/8-16 x 3/4
10	085019	Wheel Arm Assy	48	156182	Washer—Plastic—Height Adjuster
11	715508	Locknut 1/4-20 Top	49	152421	Washer—Spring—Height Adjuster
12	104687	Bail—Engine/Blade Control	50	156125	Shoulder Bolt—Height Adjuster
13	105825	Baffle—Front	51	152371	Rope Guide
14	085100	Baffle Assembly-Rear	52	152637	Spacer—Catcher Latch
15	106005	Blade Washer	53	715607	Washer - 3/8 Belleville
16	451419	Locknut 1/4-20 Flanged Top	54	152686	Spacer—Rear Wheel
17	109546	Catcher Frame Bracket	55	310151	Locknut—5/16-18 Nylok
18	108324	Catcher Latch	56	450346	Bolt-5/16-18 x 3/4
19	109496	Trailing Shield Mounting Strip	57	458687	Bolt—Hex Head 10-24 x 1/2
20	097162	Handle Bracket—Right Hand	58	112540	Plastic Tip - Height Adjuster
21	097170	Handle Bracket—Left Hand	59	715011	Hitch Pin #3
22	381442	Clamp - Tinnerman	60	715037	Locknut 1/4-20 Keps
23	110379	Cable Tie	61	451492	Nut-3/8-16 TopLock Flange
24	111633	Trailing Shield—Plastic	62	715292	Bolt—Hex Head 1/4-20 x 1
25	110510	Plastic Tip—Height Adjuster	63	462093	Washer 1/4"
26	111724	Knob—Catcher Latch	64	156919	Lockwasher 3/8 HD Split
27	013706	Door Assembly	65	715078	Nut-Flange Whiz 1/4-20
28	126466	Blade Adapter	66	715524	Nut-3/8-16 Lock
29	133371	Torsion Spring—Catcher Latch	67	156851	Bolt 1/4-20 x3/8 Shaved HD
30	143115	Decal—Danger	68	153874	Bolt-1/4-20 x 2 1/4 Hex Head
31	795039	Decal—Door Warning	69	156877	Washer-3/8 Hardened
32	001206	Decal—Blade Warning	70	111856	Cap-Bolt
33	715557	Decal—Starting Instructions			

• INDICATES OPTIONAL EQUIPMENT

- This parts list covers several different mower models; not all of the parts listed may be used on the particular model you are working with.
- When servicing use only **Genuine Factory Replacement Parts (OEM)** that are specifically designed for the particular model that you are working with.
- Parts are right or left hand as viewed from the operator's position.
- Model specifications are subject to change without prior notice.
- **Do not operate** the mower unless all parts are attached and in good working order.
- Lawn mower deck and/or other painted parts differing in color may be substituted without notice.