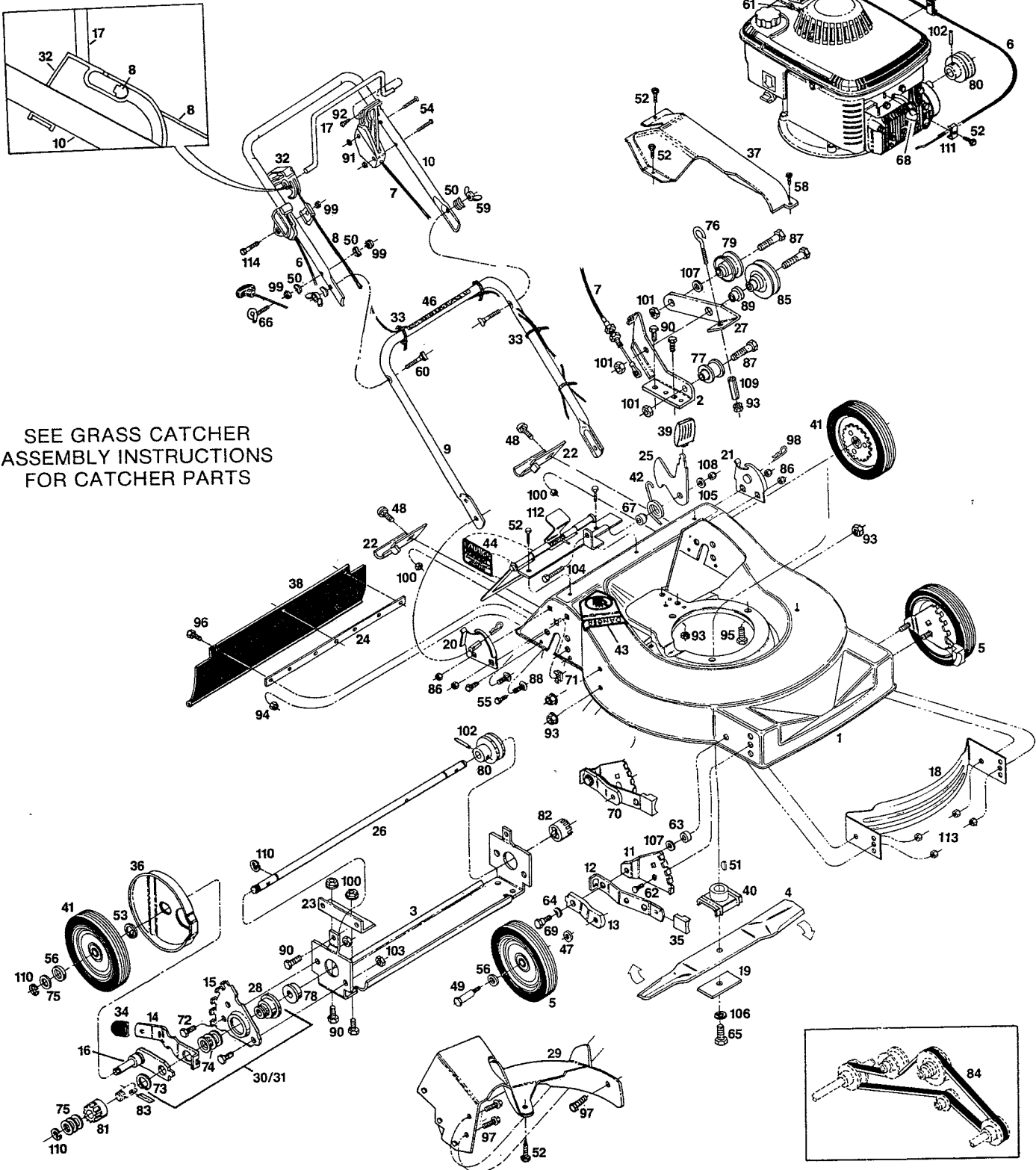


**21" Rear Bagging Rear Drive Self Propelled  
Rotary Mower  
With Hard Bag Catcher  
Models WRRB4SP21F  
ORRBSP21F**



SEE GRASS CATCHER  
ASSEMBLY INSTRUCTIONS  
FOR CATCHER PARTS

**21" Rear Bagging Rear Drive Self Propelled  
Rotary Mower  
With Hard Bag Catcher  
Models WRRB4SP21F  
ORRBSP21F**

<b>Index No.</b>	<b>Part No.</b>	<b>Description</b>	<b>Index No.</b>	<b>Part No.</b>	<b>Description</b>
1	012641	Deck-Red	57	151613	Bolt - hex head sems #10-32 x 3/8
	013482	Deck Green	58	151621	Screw - self drilling #6-20 x 1/2
2	029298	Bracket - idler mount	59	150235	Wing nut 5/16-18
3	024174	Drive support bracket	60	151928	Curved head bolt 5/16 - 18 x 1.75
4	030338	Blade 21" offset	61	152074	Rope stop
5	041848	Wheel 8" x 1.75 front	62	152405	Bolt - carriage 3/8-16 x 3/4
6	051250	Throttle control w/cable	63	152413	Washer - plastic 3/4 x 11/32 x .095
7	051649	Control - ground drive w/cable	64	152421	Washer - spring
8	051540	Cable - engine/blade control*	65	157255	Bolt - blade
9	071449	Handle - lower	66	152371	Eyebolt - Rope guide
10	071100	Handle - upper	67	152637	Spacer - bagger latch
11	090589	Back plate - front adjuster	68	110833	Spark Plug Cover
12	090613	Setting lever - front adjuster	69	153643	Bolt - shoulder
13	090977	Wheel lever - front adjuster	70	128686	Height Adjuster Assembly - front
14	090746	Setting lever - rear adjuster	71	154393	Nut - Snap in 1/4 - 20
15	090761	Back plate - rear adjuster	72	153817	Bolt - hex head 3/8-16 x 1/2
16	090910	Wheel lever - rear LH	73	153841	Snapping 7/8
	090894	Wheel lever - rear RH	74	153858	Spring washer 7/8
17	097659	Bail - engine/blade control*	75	152553	Thrust washer 1/2" I.D.
18	105825	Baffle - front	76	153908	Bolt - Hook
19	106005	Blade washer	77	170456	Pulley - 3/8" bore
20	097162	Handle bracket - R.H.	78	170464	Bearing - flange ball
21	097170	Handle bracket - L.H.	79	170530	Pulley - ext hub 3/8" - bore
22	109546	Catcher hook	80	170670	Pulley - drive 1/2" bore
23	107128	Drive support mtg. brkt.	81	170993	Pinion - ratchet R.H.
24	109496	Backing strip	82	170985	Pinion - ratchet L.H.
25	108324	Latch - rear bagger	83	170811	Drive pawl
26	108357	Drive shaft	84	170829	V-belt
27	107193	Idler arm	85	170878	Idler - pulley
28	109082	Stepped sleeve	86	310151	Nut - nylon insert - 5/16 - 18
29	127191	Baffle Assembly	87	312322	Bolt - hex hd 3/8 - 16 x 1.75
30	126926	Height Adjuster Assembly rear LH	88	450346	Bolt hex hd 5/16-18 x 3/4
31	128918	Height Adjuster Assembly rear RH	89	326348	Shouldered spacer
32	111526	Actuator - engine control	90	449587	Bolt hex hd 1/4-20 x 5/8
33	110379	Cable tie	91	151985	Nut - hex 10-24
34	110510	Plastic tip - rear adjuster	92	152181	Screw - bail retaining
35	112540	Plastic tip - front adjuster	93	451419	Nut - TL flange 1/4-20
36	112037	Dust cover - rear wheel	94	452318	Nut - hex nylon insert #10-24
37	112144	Belt cover	95	457168	Bolt - thread form 3/8-16 x 7/8
38	111633	Vinyl trailing shield*	96	458687	Bolt - hex #10-24 x 1/2
39	111724	Knob - catcher latch	97	156851	Bolt - 1/4-20x3/8 SHVD HD
40	126466	Blade adapter	98	715011	Hairpin Cotter
41	128140	Wheel - rear, w/gear	99	715037	Nut - keps 1/4 - 20
42	133371	Torsion spring - catcher latch	100	715078	Nut - flange whiz 1/4 - 20
43	143115	Decal - Danger*	101	715086	Locknut - hex - 3/8 - 16
44	002451	Decal - door caution*	102	715193	Roll pin 3/16 x 1
45	001206	Decal - blade warning*	103	715524	Nut - hex 3/8 - 16 Jam
46	144899	Decal - starting instructions	104	715292	Bolt hex head 1/4 - 20 x 1
47	715607	Washer - 3/8 Belleville	105	715300	Washer - flat 1/4"
48	150011	Carriage bolt - 1/4-20 x 5/8	106	156919	Lockwasher 3/8 HD Split
49	150730	Wheel bolt - front	107	715417	Washer - 3/8
50	150201	Curved washer - 5/16	108	715508	Nut top lock - 1/4 - 20
51	150276	Woodruff key #6	109	468801	Sleeve - idler cable
52	150623	Bolt - slotted hex #10 x 5/8	110	789883	E-ring
53	790451	Ring - retainer	111	150318	Cable clamp
54	151944	Bolt - machine - 10- 24 x 2	112	127167	Door assembly*
55	153601	Self tap screw 1/4-20 x 3/4	113	451492	Nut 3/8 - 16 TopLock
56	151449	Washer - wheel retaining	114	153874	Bolt 1/4 - 20 x 2 1/4

**NOTE: PARTS ARE RIGHT OR LEFT HAND AS VIEWED FROM THE OPERATOR POSITION.  
APPROXIMATE CUTTING HEIGHTS 1 1/8" TO 3 1/8"**

**SPECIFICATIONS SUBJECT TO CHANGE WITHOUT PRIOR NOTICE**

**•INDICATES OPTIONAL EQUIPMENT**