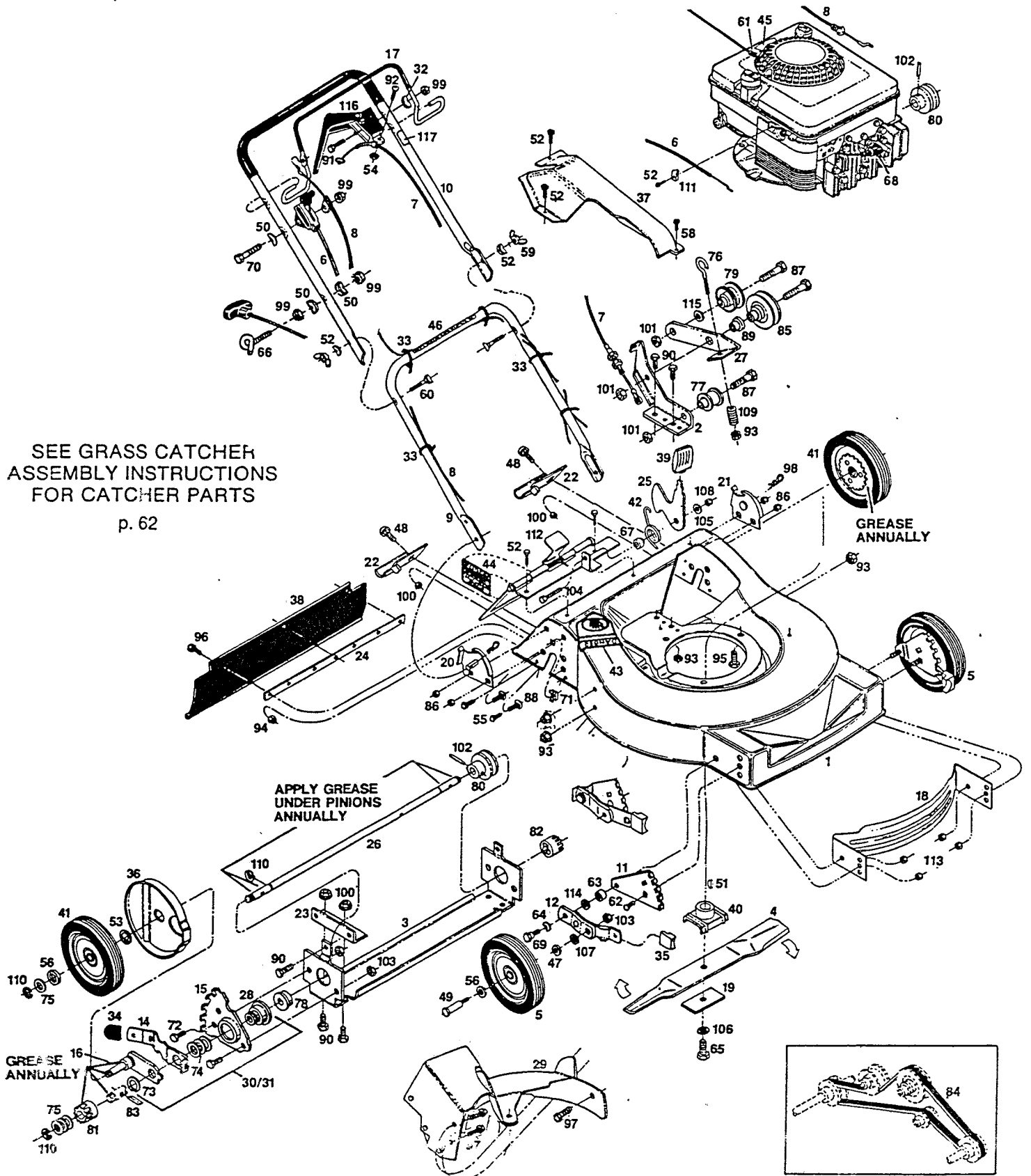


**21" REAR BAGGING REAR DRIVE SELF-PROPELLED ROTARY MOWER
MODEL: WRRBQSP21H
Grass Catcher Included: See p. 62**



**21" REAR BAGGING REAR DRIVE SELF-PROPELLED ROTARY MOWER
MODEL: WRRBQSP21H
Grass Catcher Included: See p. 62**

| Index No. | Part No. | Description | Index No. | Part No. | Description |
|-----------|----------|-----------------------------------|-----------|----------|-----------------------------------|
| 1 | 015503 | Deck | 59 | 150235 | Wing nut 5/16-18 |
| 2 | 029298 | Bracket - idler mount | 60 | 151928 | Curved head bolt 5/16 - 18 x 1.75 |
| 3 | 024174 | Drive support bracket | 61 | 152074 | Rope stop |
| 4 | 030338 | Blade 21" offset | 62 | 152405 | Bolt - carriage 5/16 x 3/4 |
| 5 | 041111 | Wheel 8" X 1.75 front | 63 | 156182 | Washer - plastic |
| 6 | 052027 | Throttle control w/cable | 64 | 152421 | Washer - spring |
| 7 | 050955 | Control - ground drive w/cable | 65 | 157255 | Bolt - blade |
| 8 | 052068 | Cable - engine/blade control | 66 | 152371 | Eyebolt - Rope guide |
| 9 | 071449 | Handle - lower | 67 | 152637 | Spacer - bagger latch |
| 10 | 072256 | Handle - upper | 68 | 110833 | Spark Plug Cover |
| 11 | 091249 | Back plate - front adjuster | 69 | 156125 | Bolt - shoulder |
| 12 | 085019 | Wheel Arm Assembly | 70 | 153874 | Bolt - 1/4-20 x 2 1/4 |
| 13 | 714170 | Decal - Model Number | 71 | 154393 | Nut - Snap in 1/4 - 20 |
| 14 | 090746 | Setting lever - rear adjuster | 72 | 153817 | Bolt - hex head 5/16 x 1 1/2 |
| 15 | 090761 | Back plate - rear adjuster | 73 | 153841 | Snapping 3/4 |
| 16 | 090910 | Wheel lever - rear LH | 74 | 153858 | Spring washer 3/4 |
| | 090894 | Wheel lever - rear RH | 75 | 152553 | Thrust washer 1/2" I.D. |
| 17 | 109124 | Bail - engine/blade control | 76 | 153908 | Bolt - Hook |
| 18 | 105825 | Baffle - front | 77 | 170456 | Pulley - 3/4" bore |
| 19 | 106005 | Blade washer | 78 | 170464 | Bearing - flange ball |
| 20 | 097162 | Handle bracket - R.H. | 79 | 170530 | Pulley - ext hub 3/4" - bore |
| 21 | 097170 | Handle bracket - L.H. | 80 | 171421 | Pulley - drive 1/2" bore |
| 22 | 109546 | Catcher hook | 81 | 170993 | Pinion - ratchet R.H. |
| 23 | 107128 | Drive support mtg. brkt. | 82 | 170985 | Pinion - ratchet L.H. |
| 24 | 109496 | Backing strip | 83 | 170811 | Drive pawl |
| 25 | 108324 | Latch - rear bagger | 84 | 170829 | V-belt |
| 26 | 108357 | Drive shaft | 85 | 170878 | Idler - pulley |
| 27 | 107193 | Idler arm | 86 | 310151 | Nut - nylon insert - 5/16 - 18 |
| 28 | 109082 | Stepped sleeve | 87 | 312322 | Bolt - hex hd 3/4 - 16 x 1.75 |
| 29 | 085100 | Baffle Assembly | 88 | 450346 | Bolt hex hd 5/16-18 x 3/4 |
| 30 | 128926 | Height Adjuster Assembly rear LH | 89 | 326348 | Shouldered spacer |
| 31 | 128918 | Height Adjuster Assembly rear RH | 90 | 449587 | Bolt hex hd 1/4-20 x 3/4 |
| 32 | 461004 | Washer - Curved 1 - 1/4 O.D. | 91 | 450072 | Bolt-Hex 1/4-20 x 1 1/2 |
| 33 | 110379 | Cable tie | 92 | 459065 | Screw - Pan Head #8-32-3/4 |
| 34 | 110510 | Plastic tip - rear adjuster | 93 | 451419 | Nut - TL flange 1/4-20 |
| 35 | 112540 | Plastic tip - front adjuster | 94 | 452318 | Nut - hex nylon insert #10-24 |
| 36 | 112037 | Dust cover - rear wheel | 95 | 457168 | Bolt - thread form 5/16 x 3/4 |
| 37 | 163713 | Belt cover | 96 | 458687 | Bolt - hex #10-24 x 1/2 |
| 38 | 111633 | Vinyl trailing shield | 97 | 156851 | Bolt - 1/4-20 x 3/4 SHVD HD |
| 39 | 111724 | Knob - catcher latch | 98 | 715011 | Hairpin Cotter |
| 40 | 126466 | Blade adapter | 99 | 715037 | Nut - keps 1/4 - 20 |
| 41 | 041954 | Wheel - rear, w/gear | 100 | 715078 | Nut - flange whiz 1/4 - 20 |
| 42 | 133371 | Torsion spring - catcher latch | 101 | 715086 | Locknut - hex - 3/4 - 16 |
| 43 | 143115 | Decal - Danger | 102 | 715193 | Roll pin 3/16 x 1 |
| 44 | 002451 | Decal - door warning | 103 | 715524 | Nut - hex 3/4 - 16 Jam |
| 45 | 001206 | Decal - blade warning | 104 | 715292 | Bolt hex head 1/4 - 20 x 1 |
| 46 | 144899 | Decal - starting instructions | 105 | 715300 | Washer - flat 1/4" |
| 47 | 715607 | Washer - 3/8 Belleville | 106 | 156919 | Lockwasher 3/4 HD Spilt |
| 48 | 150011 | Carriage bolt - 1/4-20 x 3/4 | 107 | 715417 | Washer - 3/4 |
| 49 | 150730 | Wheel bolt - front | 108 | 715508 | Nut top lock - 1/4 - 20 |
| 50 | 150201 | Curved washer - 3/4 | 109 | 776468 | Spring - idler cable |
| 51 | 150276 | Woodruff key #6 | 110 | 789883 | E-ring |
| 52 | 150623 | Bolt - slotted hex #10 x 3/4 | 111 | 157552 | Cable clamp |
| 53 | 790451 | Ring - retainer | 112 | 013706 | Door assembly |
| 54 | 151894 | Nut Hex #8-32 Nylock | 113 | 451492 | Nut 3/4 - 16 TopLock |
| 55 | 153601 | Self tap screw 1/4-20 x 3/4 | 114 | 156877 | Washer - Hardened |
| 56 | 151449 | Washer - wheel retaining | 115 | 150771 | Washer - Flat |
| 57 | 151613 | Bolt - hex head sems #10-32 x 3/4 | 116 | 111575 | Lever-Ground Drive Control |
| 58 | 151621 | Screw - self drilling #6-20 x 1/2 | 117 | 141507 | Decal-Drive Control Instructions |

When servicing use only genuine factory replacement parts that are specifically for your particular model.
NOTE: Parts are right or left hand as viewed from the operator position.
Specifications subject to change without prior notice.