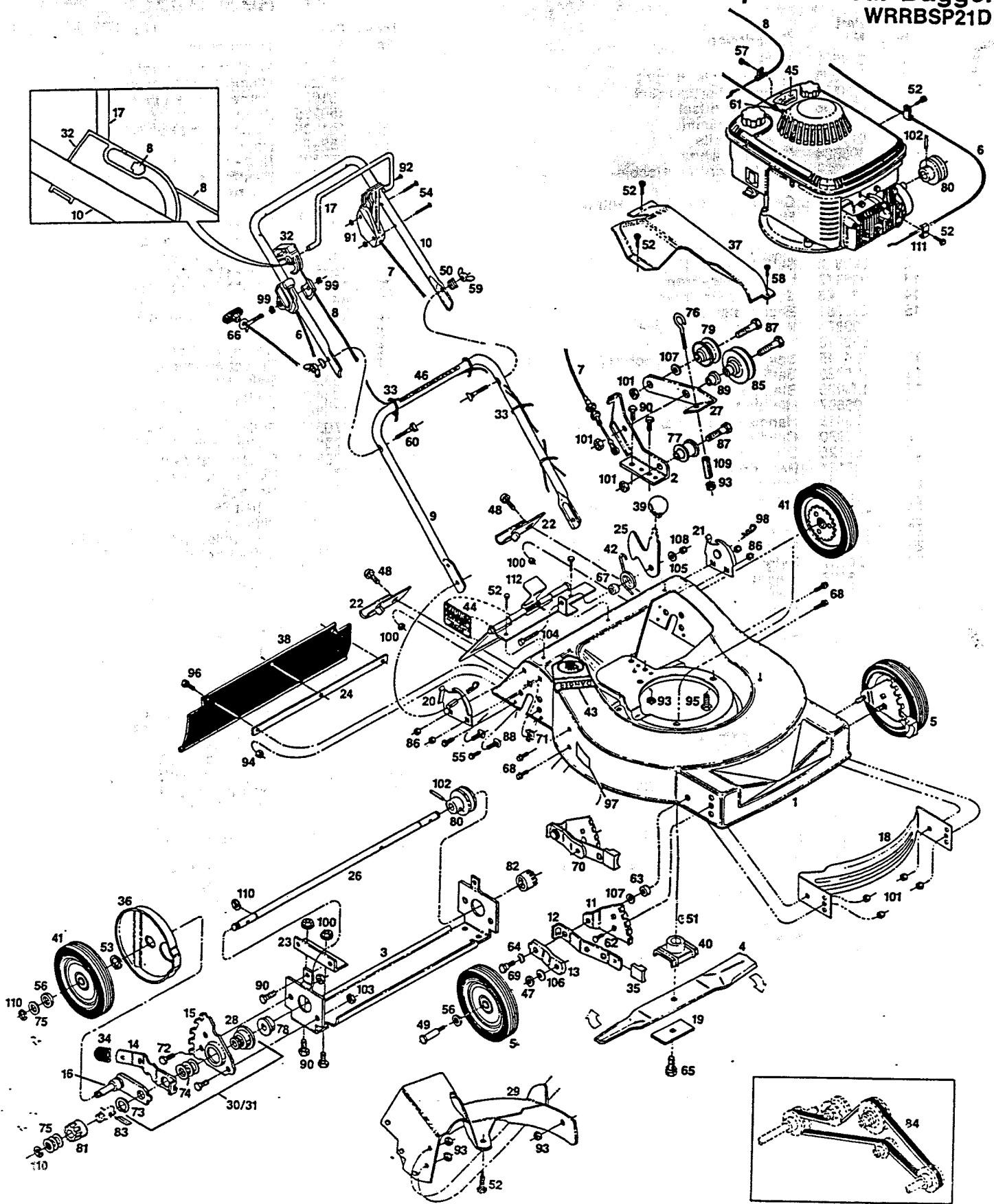


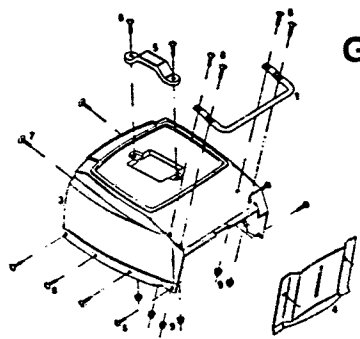
21" Self Propelled Rear Bagger WRRBSP21D



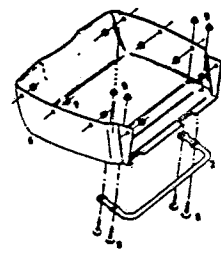
21" Self Propelled Rear Bagger WRRBSP21D

Index No.	Part No.	Description
1	029967	Deck
2	029298	Bracket - idler mount
3	024174	Drive support bracket
4	030338	Blade 21" offset
5	041111	Wheel 8" x 1.75 front
6	050716	Throttle control w/cable
7	050757	Control - ground drive w/cable
8	050997	Cable - engine/blade control
9	071449	Handle - lower
10	071100	Handle - upper
11	090589	Back plate - front adjuster
12	090613	Setting lever - front adjuster
13	090977	Wheel lever - front adjuster
14	090746	Setting lever - rear adjuster
15	090761	Back plate - rear adjuster
	090910	Wheel lever - rear LH
16	090894	Wheel lever - rear RH
17	107367	Bail - engine/blade control
18	105825	Baffle - front
19	106005	Blade washer
20	106807	Handle bracket - R.H.
21	106815	Handle bracket - L.H.
22	106930	Catcher hook
23	107128	Drive support mtg. brkt.
24	107151	Backing strip
25	108324	Latch - rear bagger
26	108357	Drive shaft
27	107193	Idler arm
28	108647	Stepped sleeve
29	127191	Baffle Assembly
30	128157	Height Adjuster Assembly rear LH
31	128165	Height Adjuster Assembly rear RH
32	111526	Actuator - engine control
33	110379	Cable tie
34	110510	Plastic tip - rear adjuster
35	111260	Plastic tip - front adjuster
36	111872	Dust cover - rear wheel
37	111518	Belt cover
38	111633	Vinyl trailing shield
39	111369	Knob - catcher latch
40	126466	Blade adapter
41	128140	Wheel - rear, w/gear
42	133371	Torsion spring - catcher latch
43	143115	Decal - Danger
44	144162	Decal - door caution
45	149468	Decal - blade warning
46	144899	Decal - starting instructions
47	150771	Washer - 3/8"
48	150011	Carriage bolt - 1/4-20 x 3/4"
49	150730	Wheel bolt - front
50	150201	Curved washer - 5/16"
51	150276	Woodruff key #6
52	150623	Bolt - slotted hex #10 x 3/4"
53	790451	Ring - retainer
54	151944	Bolt - machine - 10 - 24 x 2"
55	153601	Self tap screw 1/4-20 x 3/4"
56	151449	Washer - wheel retaining

Index No.	Part No.	Description
57	151613	Bolt - hex head sems #10-32 x 3/4"
58	151621	Screw - self drilling #6-20 x 1/2"
59	150235	Wing nut 5/16-18
60	151928	Curved head bolt 5/16 - 18 x 1.75
61	152074	Rope stop
62	152405	Bolt - carriage 3/8-16 x 3/4"
63	152413	Washer - plastic 3/4 x 11/32 x .095
64	152421	Washer - spring
65	152496	Bolt - blade - w/lockwasher
66	152629	Eyebolt - Rope guide
67	152637	Spacer - bagger latch
68	152660	Bolt - hex washer HD. 1/4-20 x 1/2"
69	153643	Bolt - shoulder
70	128686	Height Adjuster Assembly - front
71	154393	Nut - Snap in 1/4 - 20
72	153817	Bolt - hex head 3/8-16 x 1/2"
73	153841	Snapping 3/4"
74	153858	Spring washer 3/8"
75	152553	Thrust washer 1/2" I.D.
76	153908	Bolt - Hook
77	170456	Pulley - 3/4" bore
78	170464	Bearing - flange ball
79	170530	Pulley - ext hub 3/4" - bore
80	170670	Pulley - drive 1/2" bore
81	170993	Pinion - ratchet R.H.
82	170985	Pinion - ratchet L.H.
83	170811	Drive pawl
84	170829	V-belt
85	170878	Idler - pulley
86	310151	Nut - nylon insert - 5/16 - 18
87	312322	Bolt - hex hd. 3/8-16 x 1.75
88	313510	Bolt hex hd 5/16-18 x 3/4"
89	326348	Shouldered spacer
90	449587	Bolt hex hd 1/4-20 x 3/4"
91	151985	Nut - hex 10-24
92	152181	Screw - bail retaining
93	451419	Nut - TL flange 1/4-20
94	452318	Nut - hex nylon insert #10-24
95	457168	Bolt - thread form 3/8-16 x 3/4"
96	458687	Bolt - hex #10-24 x 1/2"
97	714170	Decal - Model Number
98	715011	Hairpin Cotter
99	715037	Nut - keps 1/4 - 20
100	715078	Nut - flange whiz 1/4 - 20
101	715086	Locknut - hex - 3/8 - 16
102	715193	Roll pin 3/16 x 1
103	715524	Nut - hex 3/8 - 16 Jam
104	715292	Bolt hex head 1/4 - 20 x 1"
105	715300	Washer - flat 1/4"
106	715607	Washer - belleville 3/8"
107	715417	Washer - 3/8"
108	715508	Nut top lock - 1/4 - 20
109	468801	Sleeve - idler cable
110	789883	E-ring
111	150318	Cable clamp
112	127167	Door assembly



GRASS CATCHER



Index No.	Part No.	Description
1	028464	Upper catcher frame
2	028910	Lower catcher frame
3	111302	Catcher top
4	111328	Catcher baffle
5	111351	Catcher handle
6	111641	Catcher bottom notched
7	152694	Plastic push fastener
8	152652	Screw-slotted truss head 1/4-20 x 3/4"
9	715078	Locknut 1/4-20 flanged whiz