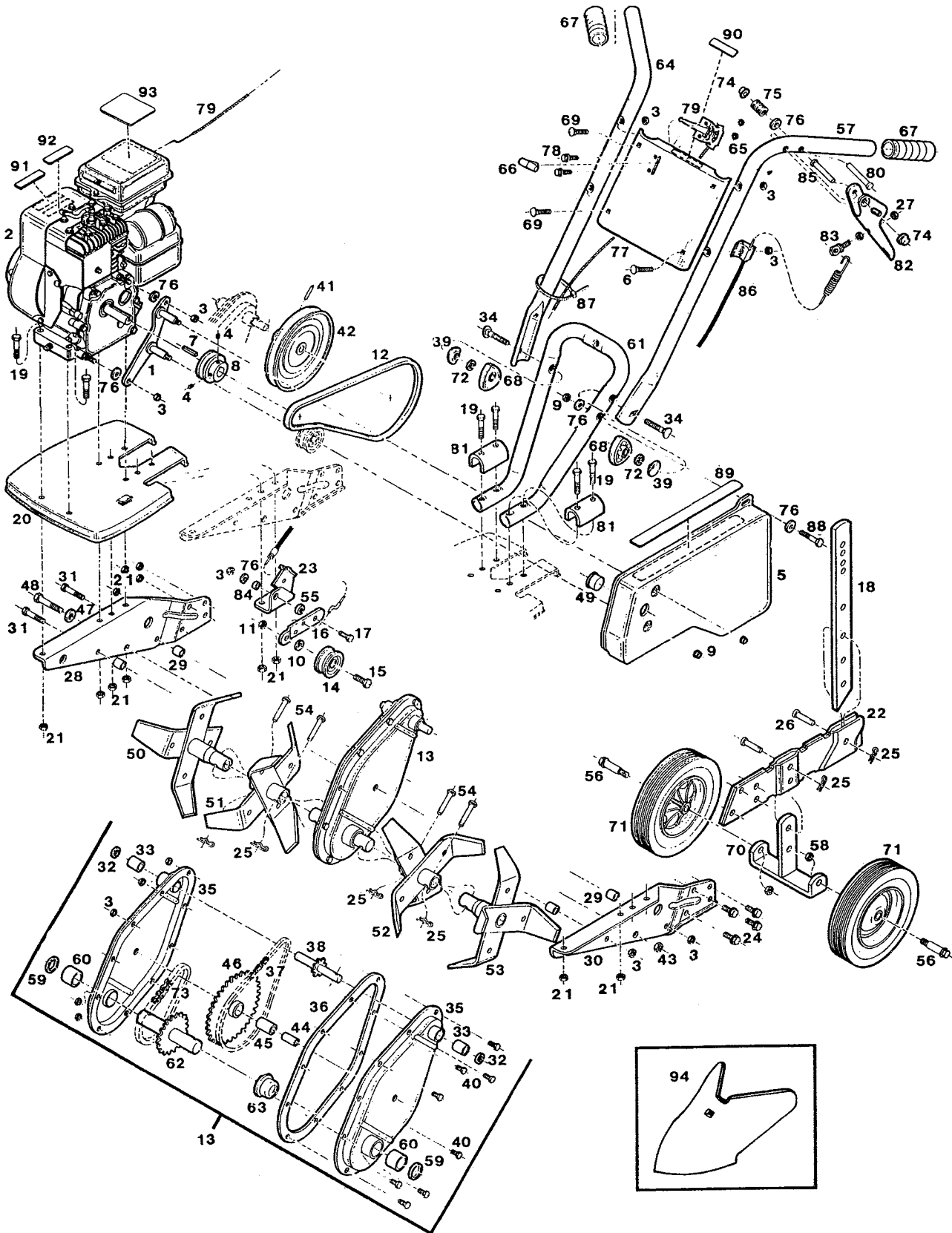


3 H.P. FRONT TINE CHAIN DRIVE TILLER  
MODEL: WT33-J



**3 H.P. FRONT TINE CHAIN DRIVE TILLER  
MODEL: WT33-J**

Ref. No.	Part No.	Description	Ref. No.	Part No.	Description
1	463687	Belt Guide Plate Assembly	47	461780	Washer - lock 3/8 int tooth
2	*	Engine - 3 HP	48	459032	Bolt - Hex 3/8-16 x 2-1/4
3	715508	Nut - Hex 1/4-20 Lock	49	781625	Cup - Shaft Cover
4	315093	Set Screw - Pulley	50	786640	Tine & Hub Assembly - R.H. Outer
5	571166	Belt Guard	51	786582	Tine & Hub Assembly - R.H. Inner
6	153932	Bolt-Carriage 1/4-20 x 1-3/4	52	786558	Tine & Hub Assembly - L.H. Inner
7	446369	Key - 3/16 Sq. x 1-1/4	53	786616	Tine & Hub Assembly - L.H. Outer
8	618744	Pulley - Engine	54	488965	Pin - Clevis 5/16 x 1-1/4
9	715078	Nut - Hex 1/4-20 Whiz	55	156174	Spacer
10	461731	Washer	56	153668	Bolt - Wheel
11	715524	Nut - Hex 3/8-16 Lock	57	731703	Handle - L.H.
12	421321	Belt	58	715086	Nut - Hex 3/8-16 Lock
13	432427	Transmission Assembly	59	774760	Seal - Oil, Output large
14	672923	Idler Pulley	60	423632	Bearing - Output Shaft
15	159020	Bolt - Hex 3/8-16 x 1-1/2	61	555912	Yoke - Handle
16	779165	Arm - Idler	62	417725	Shaft - Output w/Sprocket
17	715045	Bolt - Hex 1/4-20 x 3/4	63	468249	Spacer - Tine Shaft
18	435289	Bar - Depth	64	731711	Handle - R.H.
19	460311	Bolt - Hex 5/16-18 x 1-3/4	65	715334	Nut - Hex 10-24 Keps
20	571174	Hood - Tine	66	744037	Knob - Throttle Control
21	715490	Nut - Hex 5/16-18 Lock	67	751032	Grip - handle
22	771576	Bracket Assembly - Depth Bar	68	744284	Knob - Handle Retainer
23	772889	Bracket Assembly - Idler Mtg.	69	152363	Bolt - Carriage 1/4-20 x 1-1/4
24	459131	Bolt - Hex 5/16-18 x 1 Whizlock	70	771600	Bracket Assembly - Wheel
25	715011	Hairpin Cotter	71	041772	Wheel - 8"
26	616532	Pin - Clevis 3/8 x 1-3/4	72	153510	Washer - Lock 5/16
27	452615	Nut - Hex 1/4-20 Nylok	73	425397	Chain - Roller, No. 420
28	446914	Beam - Main Support R.H.	74	452128	Palnut - 1/4" Dia.
29	468256	Spacer - Beam	75	775130	Spring - Latch
30	446898	Beam - Main Support L.H.	76	615690	Washer - 1/4" Dia.
31	153874	Bolt - Hex 1/4-20 x 2-1/4	77	576272	Panel - Handle Bar
32	774737	Seal - Input Shaft, small	78	458687	Screw - Hex 10-24 x 1/2
33	423608	Bearing - Input Shaft	79	530220	Control - Throttle
34	151936	Bolt - Curved Head 5/16-18 x 2-1/4	80	489013	Pin - Clevis 1/4" Dia. x 1-3/4
35	590026	Transmission-Half w/Bearings	81	432963	Sleeve - Yoke Mounting
36	762039	Gasket - Transmission Housing	82	731695	Lever - Control
37	425389	Chain - Roller, No.42	83	450478	Bolt - Spade 1/4-20 x 3/4
38	417691	Input Shaft Assembly	84	468728	Spacer - Idler Arm
39	150201	Washer - Curved	85	489005	Pin - Clevis 1/4" x 1-1/2
40	715052	Bolt - Hex 1/4-20 x 1/2	86	530188	Control Cable
41	715193	Pin - Roll 3/16 x 1-1/4	87	110379	Cable Tie
42	419689	Pulley Assembly	88	450072	Bolt - Hex 1/4-20 x 1-1/2
43	715441	Nut - Hex 3/8-16 Whizlock	89	551648	Decal - Caution/Operation
44	432971	Sleeve - Bearing	90	551689	Decal - Control
45	423624	Bearing - Center Hub	91	551713	Decal - Handle Placement
46	434829	Sprocket & Hub Assembly	92	551846	Decal - Caution Disengage
			93	551655	Decal - Tine Warning
<b>OPTIONAL ACCESSORY</b>					
	94	465856	Furrowing Kit		
		432849	Gear Lube		

\* Contact engine manufacturer's authorized service dealer for parts and warranty.

- When servicing use only **Genuine Factory Replacement Parts (OEM)** that are specifically designed for the particular model that you are working with.
- Parts are right or left hand as viewed from the operator's position.
- Model specifications are subject to change without prior notice.
- **Do not operate** the tiller unless all parts are attached and in good working order.
- Tiller tine cover, handle panel and/or other painted parts differing only in color may be substituted without notice.