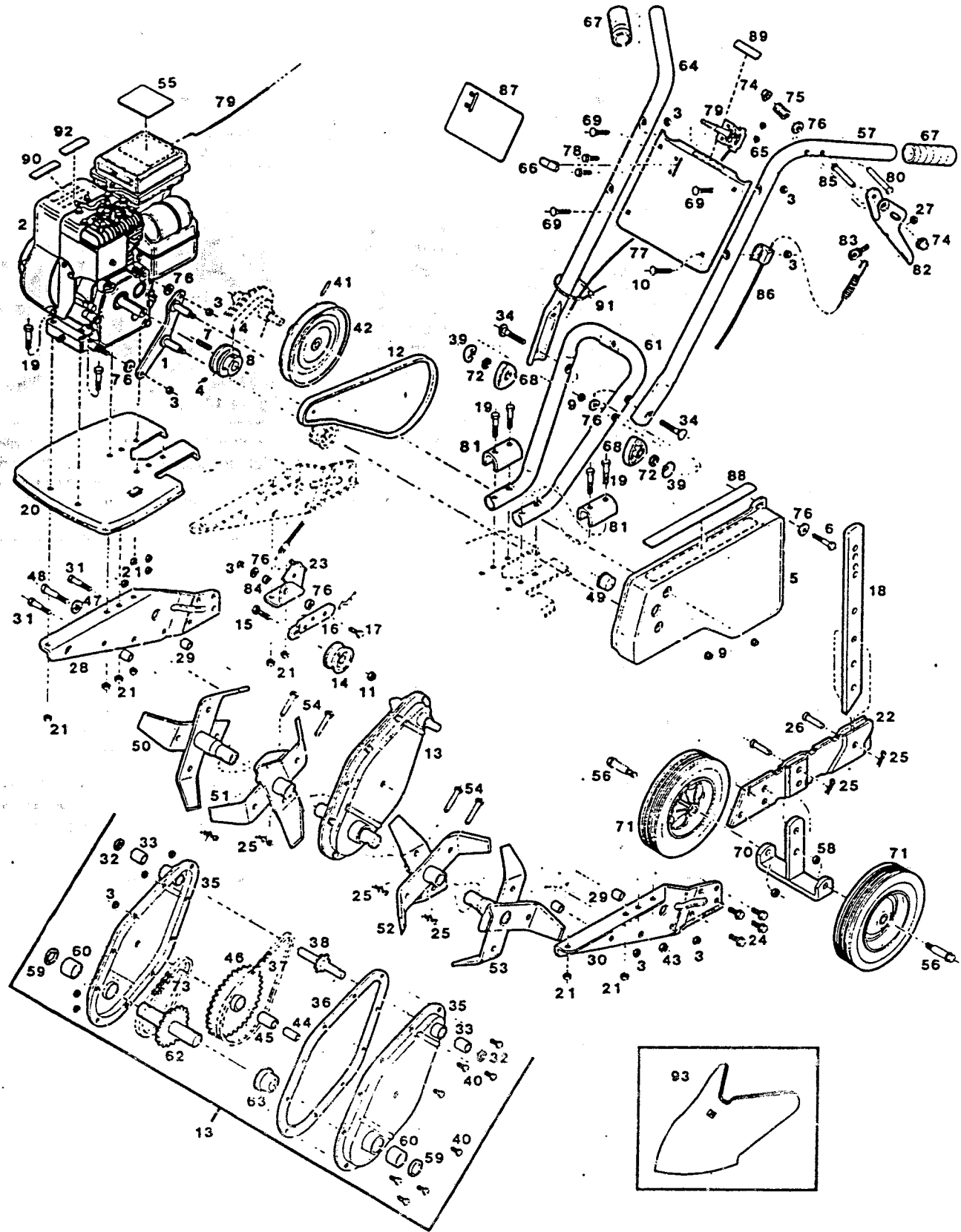


MODEL WT33K
3 HP CHAIN DRIVE FRONT TINE TILLER



**MODEL WT33K
3 HP CHAIN DRIVE FRONT TINE TILLER**

Ref. No.	Part No.	Description	Ref. No.	Part No.	Description
1	463687	Plate-Belt Guide	48	459032	Bolt - Hex 3/8-16 x 2-1/4
2		Engine - 3 HP	49	781625	Cup - Shaft Cover
3	715508	Nut - Hex 1/4-20 toplock	50	786640	Tine & Hub Assembly - R.H. Outer
4	315093	Set Screw - Pulley	51	786582	Tine & Hub Assembly - R.H. Inner
5	571166	Belt Guard Assembly	52	786558	Tine & Hub Assembly - L.H. Inner
6	450072	Bolt - Hex 1/4-20 x 1-1/2	53	786616	Tine & Hub Assembly - L.H. Outer
7	446389	Key - 3/16 Sq. x 1-1/4	54	488965	Pin - Clevis 5/16 x 1-1/4
8	618744	Pulley - Engine	55	551655	Decal - Tine Warning
9	715078	Nut - Hex 1/4-20 Whiz	56	153668	Bolt - Wheel
10	153932	Bolt - Carriage 1/4-20 x 1-3/4	57	731703	Handle - L.H.
11	715524	Nut - Hex 3/8-16 Lock	58	715088	Nut - Hex 3/8-16 Lock
12	421321	Belt - Drive	59	774760	Seal - Output Shaft, large
13	432427	Transmission Assembly	60	423632	Bearing - Output Shaft
14	672923	Pulley - Idler	61	555912	Yoke - Handle
15	457176	Bolt - Hex 3/8-16 x 1-1/4	62	417725	Shaft - Output w/Sprocket
16	779165	Arm - Idler	63	468249	Spacer - Tine Shaft
17	715045	Bolt - Hex 1/4-20 x 3/4	64	731711	Handle - R.H.
18	435289	Bar - Depth	65	715334	Nut - Hex 10-24 Keps
19	460311	Bolt - Hex 5/16-18 x 1-3/4	66	744037	Knob - Throttle Control
20	571174	Hood - Tine	67	751032	Grip - handle
21	715490	Nut - Hex 5/16-18 Toplock	68	744284	Knob - Handle Retainer
22	771576	Bracket - Depth Bar	69	152363	Bolt - Carriage 1/4-20 x 1-1/4
23	772889	Bracket - Idler Mtg.	70	771600	Bracket Assembly - Wheel
24	459131	Bolt - Hex 5/16-18 x 1	71	498634	Wheel - 8"
25	715011	Hairpin Cotter	72	153510	Washer - Lock 5/16 int tooth
26	616532	Pin - Clevis 3/8 x 1-5/8	73	425397	Chain - Roller, No. 420
27	452615	Nut - Hex 1/4-20 Nylok	74	452128	Palnut - 1/4" Dia.
28	448914	Beam - Main Support R.H.	75	775130	Spring - Latch
29	468256	Spacer - Beam	76	615690	Washer - 1/4" Dia.
30	446898	Beam - Main Support L.H.	77	576272	Panel - Handle
31	153874	Bolt - Hex 1/4-20 x 2 1/4	78	458687	Screw - Hex. 10-24 x 1/2
32	774737	Seal - Input Shaft, small	79	530626	Control - Throttle w/Cable
33	423608	Bearing - Input Shaft	80	489013	Pin - Clevis 1/4" Dia. x 1-3/4
34	151936	Bolt - Curved Head 5/16-18 x 2-1/4	81	432963	Sleeve - Yoke Mounting
35	590026	Transmission-Half w/Bearings	82	731695	Lever - Control
36	762039	Gasket - Transmission Housing	83	450478	Bolt - Spade 1/4-20 x 3/4
37	425389	Chain - Roller, No.42	84	616789	Spacer - Idler Arm
38	417691	Shaft-Input w/Sprocket	85	489005	Pin - Clevis 1/4" x 1-1/2
39	150201	Washer - Curved	86	530188	Cable - Idler Control
40	715052	Bolt - Hex 1/4-20 x 1/2	87	553248	Decal - Handle Panel
41	715193	Pin - Roll 3/16 x 1-1/4	88	551648	Decal - Caution
42	419689	Pulley Assembly	89	551689	Decal - Control
43	715441	Nut - Hex 3/8-16 Whiz	90	402016	Decal - Hand Placement
44	432971	Sleeve - Bearing	91	110379	Cable Tie
45	423624	Bearing - Center Hub	92	551846	Decal - Caution Disengage
46	434829	Sprocket & Hub Assembly			
47	461780	Washer - Lock 3/8 int tooth			
			OPTIONAL ACCESSORY		
			93	465856	Furrowing Kit

*Contact engine manufacturer's authorized service dealer for parts and warranty.
 • When servicing, use only Genuine Factory Repair Kit Parts (GFPK) that are specifically designed for the particular model that you are working with.
 • Parts are right or left hand as viewed from the operator's position.
 • Model specifications are subject to change without prior notice.
 • Do not operate the tiller unless all parts are attached and in good working order.
 • Tiller tine cover, handle and/or other painted parts differing in color may be substituted without notice.