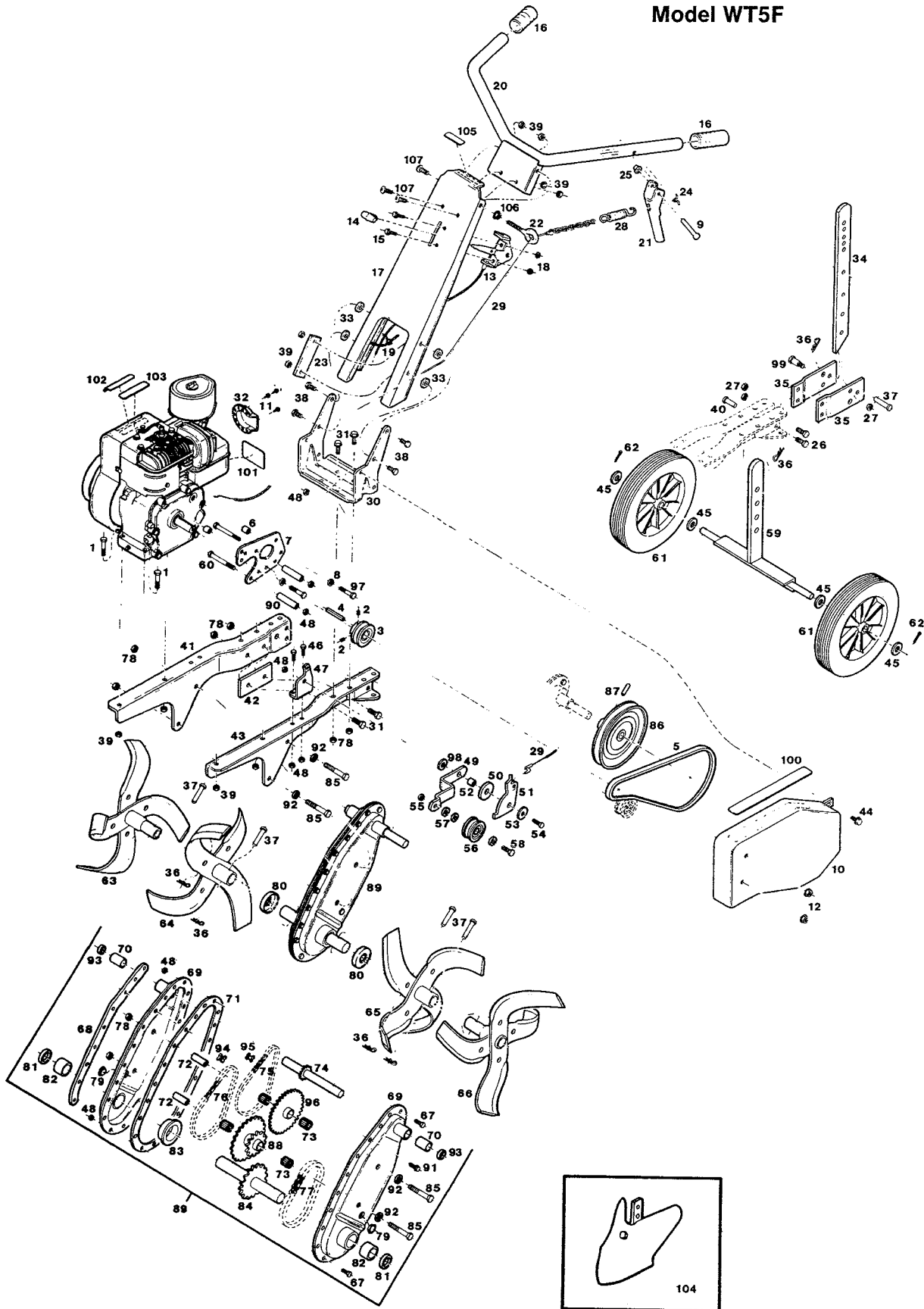


# Tiller Parts Illustration

## 5 HP Chain Drive Tiller Model WT5F



5 HP Chain Drive Tiller  
Model WT5F

Tiller Parts List

Ref. No.	Part No.	Description	Ref. No.	Part No.	Description
1	150250	Bolt—5/16-18 x 1-1/2 Hx Hd	56	420745	Pulley—Idler
2	458844	Screw—Set	57	461731	Washer—Flat
3	420935	Pulley—Engine	58	715326	Bolt—3/8-16 x 1 Hx Hd
4	446757	Key—Pulley	59	773085	Wheel Bracket Assembly
5	421321	Belt—Drive	60	450007	Bolt—1/4-20 x 3-1/4 Hx Hd
6	468678	Spacer—Belt Guide	61	498808	Wheel—10"
7	464206	Guide—Belt	62	317016	Pin-1/8 x 1 Cotter
8	715094	Washer—Lock	63	786749	Tine Assembly—R.H. Outer
9	489005	Pin—1/4 x 1-1/2 Clevis	64	786681	Tine Assembly—R.H. Inner
10	574491	Guard—Belt	65	786665	Tine Assembly—L.H. Inner
11	120048	Screw—Muffler Deflector	66	786723	Tine Assembly—L.H. Outer
12	715078	Nut—Hex 1/4-20 Whiz	67	715052	Bolt—1/4-20 x 1/2 Hx Hd
13	781427	Control—Throttle w/Cable	68	426015	Strap—Nut Plate
14	744037	Knob—Throttle Lever	69	432260	Transmission Housing Half w/bearing
15	458687	Screw—10-24 x 1/2 Hx Hd	70	423442	Bearing—Input Shaft
16	751032	Grip—Handlebar	71	555151	Gasket—Transmission Housing
17	574509	Weldment—Handle Panel	72	432922	Sleeve—Bearing
18	715334	Nut—Hex 10-24 Keps	73	423434	Bearing—Sprocket
19	110379	Cable Tie	74	417469	Shaft—Input w/Sprocket
20	574699	Weldment—Handle Bar	75	425314	Chain—Roller No. 35
21	618652	Lever—Engaging	76	425421	Chain—Roller No. 420
22	157545	Bolt-5/16-18 x 3-1/2 Eye	77	425348	Chain—Roller No. 50
23	574475	Plate—Handle	78	715441	Nut—3/8-16 Hx Keps
24	616201	Link—Lever	79	426379	Plug—Plastic
25	452128	Nut—1/4 Push	80	762245	Cover—Tine Hub Seal
26	457176	Bolt—Hex 3/8-16 x 1-1/4	81	774547	Seal—Output Shaft
27	715086	Nut—Hex 3/8-16 Lock	82	423731	Bearing—Output Shaft
28	616862	Spring—Cable	83	468033	Spacer—Tine Shaft
29	530279	Cable—Control	84	417501	Shaft—Output w/Sprocket
30	447011	Channel—Handle Support	85	458927	Bolt—3/8-16 x 2-3/4 Hx Hd
31	458968	Bolt—Hex 3/8-16 x 1	86	590836	Pulley—Transmission
32	132142	Deflector—Muffler	87	314062	Pin—1/4 x 1-1/8 Roll
33	467779	Spacer	88	590000	Sprocket—Lower w/bearings
34	435032	Bar—Depth	89	432310	Transmission Assembly
35	571232	Plate—Depth Bar	90	468686	Spacer—Belt Guide
36	715011	Hairpin Cotter	91	153601	Bolt—1/4-20 x 3/4 Hx Hd
37	489823	Pin—Clevis 3/8 x 1-5/8	92	461780	Washer—3/8 T-Lock
38	150045	Bolt—5/16-18 x 1-1/4 Hx Hd	93	774695	Seal—Input Shaft
39	715490	Nut—Hex 5/16-18	94	425124	Master Link—No. 420
40	488940	Pin—Clevis 1/2 x 1-1/4	95	424903	Master Link—No. 35
41	446955	Beam—Main Support R.H.	96	590018	Sprocket—Upper w/bearings
42	468058	Spacer—Main Support Beam	97	150433	Bolt—1/4-20 x 2 Hx Hd
43	446930	Beam—Main Support L.H.	98	152553	Washer-1/2 ID Hardened Thrust
44	449587	Bolt—Hex 1/4-20 x 5/8	99	153650	Bolt—3/8-16 Hx Shoulder
45	460824	Washer—Wheel	100	551648	Decal—Caution
46	715045	Bolt—Hex 1/4-20 x 3/4	101	551655	Decal—Tine Warning
47	771006	Bracket—Idler Mounting	102	551713	Decal—Hand Placement
48	715508	Nut—Hex 1/4-20 Lock	103	551846	Decal—Caution Disengage
49	778415	Arm—Idler	105	552380	Decal—Control Tine Engagement
50	462762	Washer—Flat 1-1/8 x .327 x .060	106	151340	Nut-5/16-18 Flange Lock
51	463323	Plate—Idler Pivot	107	616037	Bolt-5/16 x 1-1/2 Rd Hd
52	467829	Spacer—Pivot Plate			
53	461236	Washer—Flat 33/64 x 1-5/8 x 11ga.			
54	459909	Bolt—1/4-20 x 1 Hx Hd			
55	715524	Nut—3/8-16 Hx Jam			

OPTIONAL ACCESSORY

104 465823 Furrowing Kit

**Note:** For additional tiller accessories consult your supplier or factory.