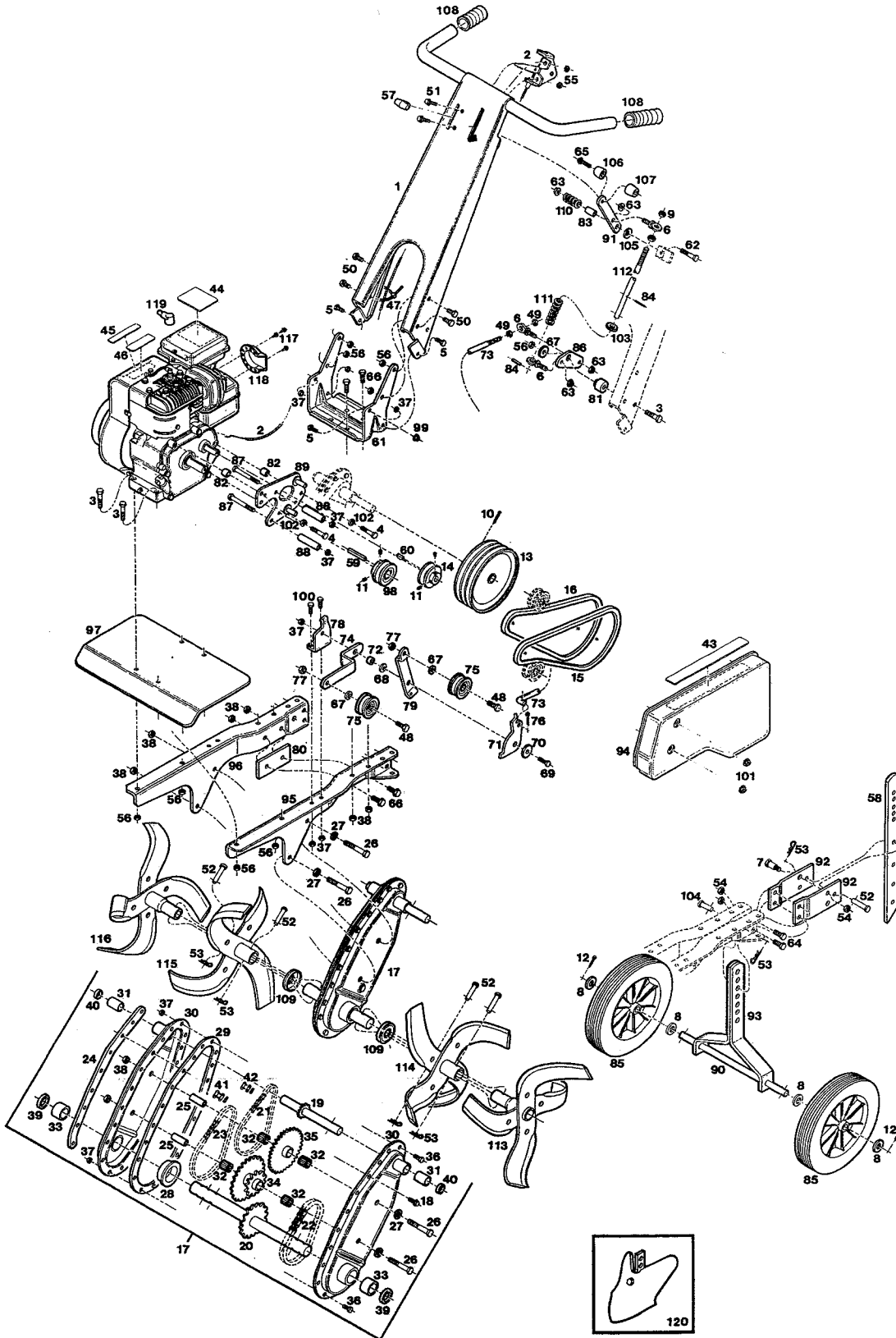


5 H.P. FRONT TINE CHAIN DRIVE TILLER W/REVERSE
MODEL: WT75-J



**5 H.P. FRONT TINE CHAIN DRIVE TILLER W/REVERSE
MODEL: WT75-J**

Index No.	Part No.	Description	Index No.	Part No.	Description
1	576256	Handle Panel Assembly	61	447011	Channel-Handle Support
2	781419	Control Throttle w/cable	62	450379	Bolt-Hex 1/4 - 20 x 1-3/4
3	150250	Bolt-Hex 5/16-18 x 1-1/2	63	451419	Nut- Hex 1/4 - 20 Flange
4	150433	Bolt-Hex 1/4-20 x 2	64	457176	Bolt-Hex 3/8 - 16 x 1-1/4
5	449587	Bolt-Hex 1/4-20 x 5/8	65	458661	Bolt-Phillips 10 - 24 x 1-1/4
6	152876	Stud-Lever	66	458968	Bolt-Hex 3/8 - 16 x 1
7	153650	Bolt-Shoulder 3/8-16	67	461731	Washer - 3/8 Flat
8	156075	Washer-Wheel	68	152533	Washer-Thrust 1/2 ID x .032 Hardened
9	310045	Nut-Hex 1/4-20 Whiz	69	158972	Bolt-Hex 1/4 - 20 x 1
10	314062	Pin-Roll 1/4 x 1-1/8	70	462762	Washer-Flat 1-1/8 x.327 x .060
11	315093	Set Screw	71	463323	Plate-Idler Pivot
12	317016	Cotter Pin 1/8 x 1	72	467829	Spacer-Pivot Plate
13	420919	Pulley Assembly - 2 Groove	73	530402	Rod-Control Idler
14	420927	Pulley - Reverse	74	557330	Arm-Forward Idler
15	421321	Belt - Forward	75	672923	Pulley Idler-Assembly
16	421339	Belt - Reverse	76	715029	Cotter Pin
17	432310	Transmission Assembly	77	715524	Nut 3/8 - 16 Jam
18	153601	Bolt - Hex 1/4 - 20 x 3/4	78	771006	Bracket-Idler Mounting
19	417469	Shaft-Input w/Sprocket	79	778431	Arm-Reverse
20	417501	Shaft-Output w/Sprocket	80	468058	Spacer-Main Support Beam
21	425314	Chain Roller, No. 35	81	468066	Spacer-Bellcrank
22	425348	Chain Roller, No. 50	82	468678	Spacer
23	425421	Chain Roller, No. 420	83	468801	Spacer-Spring
24	426015	Strap-Nut Plate	84	489393	Pin-Roll 1/8 x 3/4
25	432922	Sleeve-Bearing	85	498808	Wheel - 10"
26	458927	Bolt - Hex 3/8 - 16 x 2-3/4	86	530428	Bellcrank-Control Plate
27	461780	Washer - 3/8 INT. Tooth	87	450007	Bolt-Hex 1/4 - 20 x 3-1/4
28	468033	Spacer-Tine Shaft	88	468686	Spacer-Belt Guide
29	555151	Gasket - Transmission Housing	89	591917	Plate Assembly - Belt Guide
30	432260	Transmission Half w/Bearings	90	557116	Axle-Wheel
31	423442	Bearing - Input Shaft	91	558320	Lever-Engagement
32	423434	Bearing - Sprocket	92	571232	Plate-Depth Bar
33	617241	Bearing-Output shaft	93	574780	Wheel Bracket
34	590000	Sprocket Lower w/Bearings	94	575761	Guard-Belt
35	590018	Sprocket - Upper w/Bearings	95	575811	Beam-Main Support L.H.
36	715052	Bolt-Hex 1/4 - 20 x 1/2	96	575829	Beam-Main Support R.H.
37	715508	Nut-Hex 1/4 - 20 Lock	97	576264	Hood-Tine
38	715441	Nut-Hex 3/8 - 16 Keps	98	618744	Pulley-Forward
39	774547	Seal-Output Shaft	99	715037	Nut-1/4 - 20 Keps
40	774695	Seal-Input Shaft	100	715045	Bolt-Hex 1/4 - 20 x 3/4
41	425124	Master Link - No. 420	101	715078	Nut-Hex 1/4 - 20 Whiz
42	424903	Master Link No. 35	102	715094	Washer - 1/4 Split Lock
43	551648	Decal-Caution	103	715185	Washer
44	551655	Decal-Tine Warning	104	715375	Pin-Clevis 1/2 x 1-1/4
45	551713	Decal-Hand Placement	105	715607	Washer-Belleville
46	551846	Decal-Caution Disengage	106	744086	Knob-Plain
47	110379	Cable-Tie	107	744094	Knob-Threaded 10-24
48	159020	Bolt-Hex 3/8 - 16 x 1-1/2"	108	751032	Grip-Handlebar
49	310052	Nut 1/4 -20	109	762245	Cover-Tine Hub Seal
50	450437	Bolt-Hex 5/16 - 18 x 5/8	110	775072	Spring Engagement Lever
51	458687	Screw-Hex 10-24 x 1/2	111	775080	Spring-Engagement Rod
52	616532	Pin-Clevis 3/8 x 1-9/16	112	783985	Rod-Engagement Lever
53	715011	Hairpin Cotter	113	574749	Tine Assembly - L.H. Outer
54	715086	Nut-Hex 3/8 - 16 Lock	114	786665	Tine Assembly - L.H. Inner
55	715334	Nut-Hex 10 - 24 Hex	115	786681	Tine Assembly - R.H. Inner
56	715490	Nut-Hex 5/16 - 18	116	786749	Tine Assembly - R.H. Outer
57	744037	Knob-Throttle Lever	117	120048	Screw-Muffler Deflector
58	435032	Bar-Depth	118	132142	Deflector-Muffler
59	446757	Key-Pulley	119	110833	Cover-Spark Plug
60	446773	Key-Woodruff			OPTIONAL ACCESSORY
			120	465823	Furrowing Kit
				432849	Gear Lube

- When servicing use only **Genuine Factory Replacement Parts (OEM)** that are specifically designed for the particular model that you are working with.
- Parts are right or left hand as viewed from the operator's position.
- Model specifications are subject to change without prior notice.
- **Do not operate** the tiller unless all parts are attached and in good working order.
- Tiller tine cover, handle panel and/or other painted parts differing only in color may be substituted without notice.