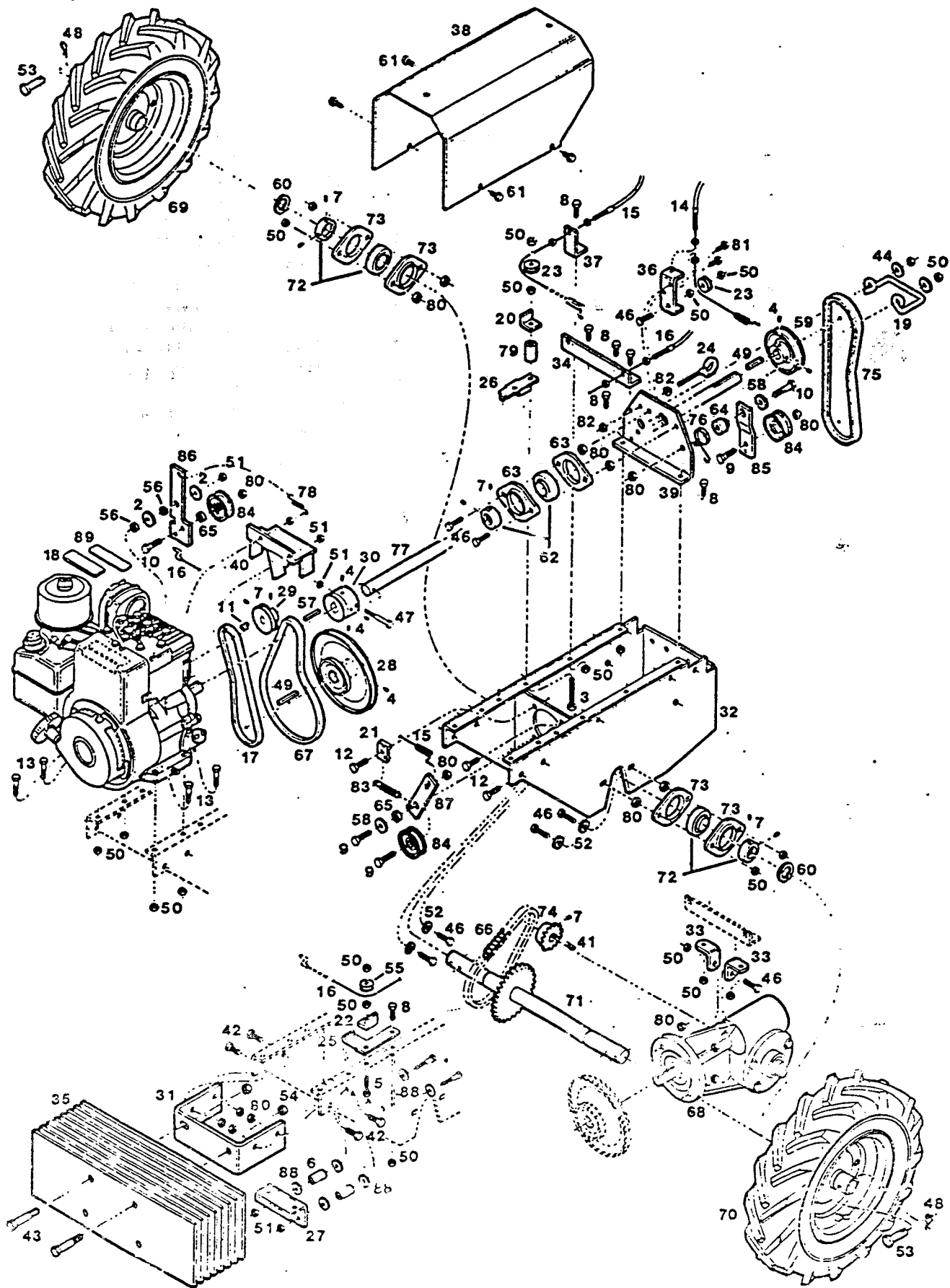


MODEL WTR5K
5 HP COUNTER-ROTATING REAR TINE TILLER

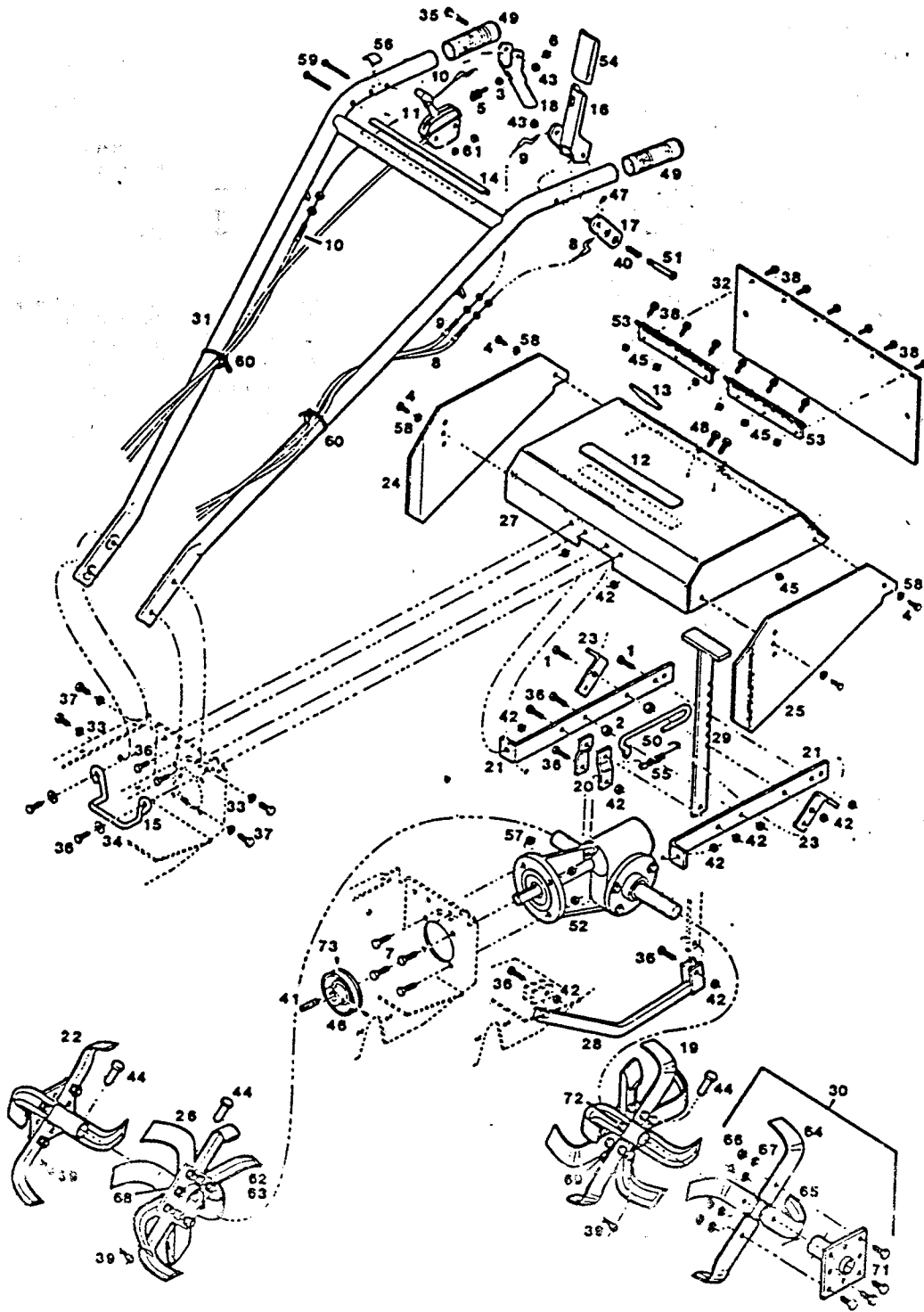


**MODEL WTR5K
5 HP COUNTER-ROTATING REAR TINE TILLER**

Ref. No.	Part No.	Description	Ref. No.	Part No.	Description
1.	150433	Bolt-1/4-20x2 HX HD	45.	615716	Washer-3/4 Nom Flat
2.	151555	Washer-1/4 IDx1 OD	46.	615831	Bolt-5/16-18x1 1/4 HX HD
3.	155176	Bolt-5/16-18x2 1/4 HX HD	47.	616094	Bolt-1/4-20x2 1/2 HX HD
4.	156208	Screw-5/16-18x1/4 Set	48.	616277	Pin Hair
5.	156950	Bolt-5/16-18x1 1/4 HX HD	49.	616276	Key-3/16x1-3/8
6.	156992	Spacer-1/4x1 1/4	50.	616342	Nut-5/16-18 Lock
7.	157305	Screw-1/4-20x1/4 Set	51.	616375	Nut-1/4-20 Lock
8.	312066	Bolt-5/16-18x3/4 HX HD	52.	616508	Washer
9.	312272	Bolt-3/8-16x1 1/4 HX HD	53.	616532	Pin-Clevis
10.	312322	Bolt-3/8-16x1-3/4 HX HD	54.	616581	Nut-1/2-13 Ctr Lock
11.	446773	Key-1/8x5/8 Woodruff	55.	616631	Roller-Clutch Cable
12.	457176	Bolt-3/8-16x1 1/4 HX HD GR 5	56.	616789	Spacer-Bell Crank
13.	460311	Bolt-5/16-18x1 1/4 HX HD	57.	616839	Key-3/16 Sq.
14.	530022	Cable-Tine Drive	58.	616854	Washer-1/2 Spec.
15.	530030	Cable-Ground Drive	59.	616870	Pulley-3/4 OD
16.	530048	Cable-Reverse Drive	60.	616896	Ring-Retaining
17.	530162	Belt-Reverse	61.	617514	Screw-5/16-18 Self Tap
18.	551713	Decal-Place Free Hand	62.	617795	Bearing-Flangette
19.	555243	Keeper-Upper Belt	63.	617811	Flange
20.	555318	Bracket-Angle	64.	617878	Bushing-Idler Pivot
21.	555326	Retainer-Spring	65.	617886	Bushing-Idler
22.	555334	Bracket-Angle	66.	619023	Chain-No.4042
23.	555342	Roller-Clutch Cable	67.	619213	Belt-Forward
24.	555359	Guide-Cable	68.	621862	Transmission Assembly
25.	555623	Keeper-Reverse Belt	69.	622118	Wheel-RH
26.	555631	Keeper-Forward Belt	70.	622126	Wheel-LH
27.	556357	Keeper-Belt	71.	622217	Weldment-Wheel Axle
28.	556399	Pulley-Fwd/Rev Transmission	72.	622332	Bearing Assembly
29.	556456	Pulley-Rev Engine	73.	622340	Flange
30.	556464	Pulley-Fwd Engine	74.	622365	Sprocket
31.	571398	Bracket-Weight	75.	622407	Belt-Tine Drive
32.	571638	Weldment-Chassis	76.	622647	Spring-Tine Drive Idler
33.	571695	Bracket-"L"	77.	623181	Shaft-Main
34.	571703	Brace-Cross	78.	623199	Spring-Rev Idler
35.	571786	Plate-Weight	79.	623447	Spacer
36.	572131	Support-Cable	80.	624908	Nut-1/4-16 Lock
37.	572156	Bracket-Drive Control	81.	624932	Screw-1/4-20x1/2
38.	572164	Cover	82.	715078	Nut-1/4-20 Whiz Flange
39.	572255	Support-Rear	83.	775817	Spring-Idler
40.	573824	Weldment-Belt Keeper	84.	170530	Pulley-Idler
41.	615534	Key-#9 Woodruff	85.	571661	Arm-Tine Idler
42.	615591	Bolt-3/8-16x1 HX HD	86.	571752	Arm-Reverse Idler
43.	615617	Bolt-1/2-13x2-3/4 HX HD	87.	572149	Arm-Forward Idler
44.	615708	Washer-5/16 Nom Flat	88.	715300	Washer-1/4 Flat
			89.	551846	Decal-Caution Disengage

- *Contact engine manufacturer's authorized service dealer for parts and warranty.
- When servicing use only Genuine Factory Replacement Parts (OEM) that are specifically designed for the particular model that you are working with.
- Parts are right or left hand as viewed from the operator's position.
- Model specifications are subject to change without prior notice.
- Do not operate the tiller unless all parts are attached and in good working order.
- Tiller tine cover, handle and/or other painted parts differing in color may be substituted without notice.

MODEL WTR5K
5 HP COUNTER-ROTATING REAR TINE TILLER



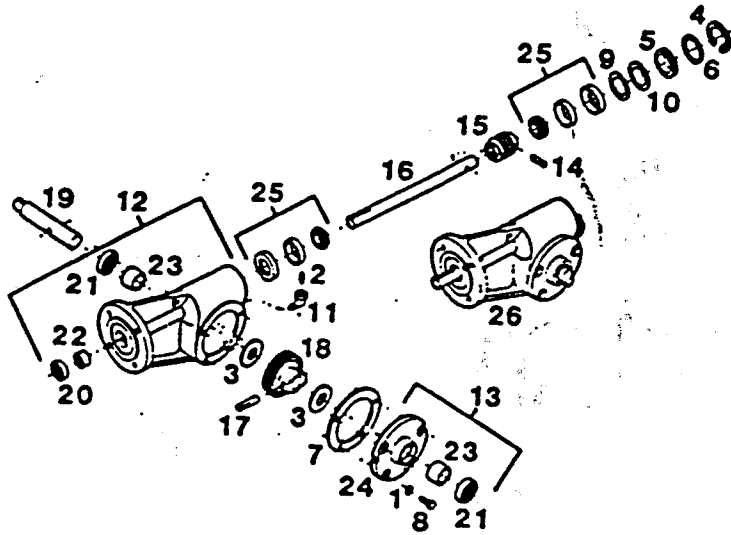
MODEL WTR5K
5 HP COUNTER-ROTATING REAR TINE TILLER

Ref. No.	Part No.	Description	Ref. No.	Part No.	Description
1.	150250	Bolt - 5/16x1½ HX HD	37.	616128	Bolt - ¾-16x¾ HX HD
2.	310003	Nut - ½-13 HX	38.	616177	Screw - 10-24x½ WSR HD
3.	310052	Nut - ¼-20 HX	39.	616227	Pin - Hair
4.	449587	Bolt - ¼-20x¾ HX HD	40.	616243	Spring
5.	450478	Bolt - Spade	41.	616276	Key - 3/16x1¾
6.	452615	Nut - ¼-2 Elastic	42.	616342	Nut - 5/16-18 Lock
7.	457176	Bolt - ¾-16x1¼ HX HD GR 5	43.	616375	Nut - ¼-20 Lock
8.	530022	Cable - Tine Drive	44.	616532	Pin - Clevis
9.	530030	Cable-Ground Drive	45.	616615	Nut - #10-24 Lock
10.	530048	Cable-Reverse Drive	46.	616870	Pulley - 3½ OD
11.	530204	Control Throttle	47.	617126	Pin - Hair
12.	551648	Decal - Caution	48.	617514	Screw - 5/16-18 Self-tapping
13.	551655	Decal - Warning	49.	619221	Grip - Handle
14.	551663	Decal - Grd Drive & Tine Instructions	50.	620310	Pusher - Depth Bar
15.	555235	Keeper - Lower Belt	51.	621235	Pin - Clutch Clevis
16.	555433	Lever - Wheel Clutch	52.	621870	Transmission Assembly
17.	555441	Lever - Tine	53.	622183	Hinge
18.	555714	Lever - Reverse Clutch	54.	622662	Jacket - Clutch Lever
19.	571299	Tine Assembly	55.	623058	Spring - Depth Bar
20.	571323	Bracket - Transmission Support	56.	623462	Decal - Reverse
21.	571372	Bar - Dirt Shield Support	57.	624908	Nut - ¾-16 Lock
22.	571380	Tine Assembly	58.	715094	Lockwasher - ¼ Split
23.	571414	Bracket - Dirt Shield	59.	616052	Screw - #10-24x2¼ Philip HD
24.	573642	Plate - RH Side	60.	621672	Tie - Cable
25.	573659	Plate - LH Side	61.	452318	Nut 10-24 HX Nylok
26.	571505	Tine Assembly	62.	556209	Tine - 11" RH
27.	573667	Weldment - Dirt Shield	63.	556217	Tine - 11" LH
28.	571679	Weldment - Skid Bar	64.	556225	Tine - 13" RH
29.	571687	Weldment - Depth Bar	65.	556233	Tine - 13" LH
30.	571729	Tine Assembly	66.	615633	Nut - ¾-24 HX
31.	574087	Weldment - Handle	67.	615666	Lockwasher - ¾ Split
32.	574244	Flap - Dirt Shield	68.	617720	Weldment - Tube & Plate
33.	615666	Washer - ¾ Nom Lock	69.	617787	Spacer - Tine
34.	615708	Washer - 5/16 Nom Flat	70.	622290	Weldment - Tube & Plate
35.	615773	Bolt - ¼-20x2 HX HD	71.	624940	Bolt - ¾-24x1 HX HD GR 5
36.	615831	Bolt - 5/16-18x1¼ HX HD	72.	624957	Bolt - ¾-24x1¼ HX HD GR 5
			73.	156208	Screw 5/16-18x¼ Set

*Contact engine manufacturer's authorized service dealer for parts and warranty.
 * When servicing use only Genuine Factory Replacement Parts (OEM) that are specifically designed for the particular model that you are working with.
 * Parts are right or left hand as viewed from the operator's position.
 * Model specifications are subject to change without prior notice.
 * Do not operate the tiller unless all parts are installed in good work condition.
 * Other wire or other handle and/or other painted parts differing in color may be substituted without notice.

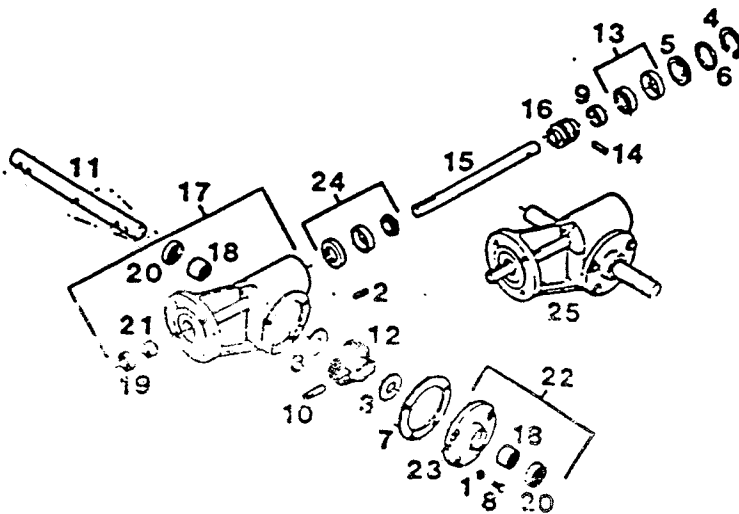
**MODEL WTR5K
5 HP COUNTER-ROTATING REAR TINE TILLER**

WHEEL DRIVE TRANSMISSION



Ref. No.	Part No.	Description
1.	311118	Lockwasher - 5/16 Split
2.	615500	Plug-Pipe
3.	616417	Washer-Thrust
4.	616425	Ring-Retaining
5.	616433	Plug-"O" Ring
6.	616441	Ring-"O"
7.	616755	Gasket-Gear Cover
8.	617019	Bolt-5/16-18x7/8 HX HD
9.	621334	Shim-.003
10.	621342	Shim-.005
11.	622175	Elbow-Street
12.	622381	Transmission Housing w/Bearings and Seals
13.	622399	Cover Assembly
14.	155515	Pin-1/4x1-1/8
15.	616730	Worm
16.	617084	Shaft-Worm
17.	616466	Pin-3/8x2 Drive-Lok
18.	616698	Wheel-Worm
19.	621854	Shaft-Axle
20.	616383	Seal-Oil
21.	616391	Seal-Double Oil
22.	616524	Bearing-Needle
23.	622324	Bearing-Sleeve
24.	572289	Cover
25.	545582	Bearing Assembly
26.	621862	Transmission Assembly

TINE DRIVE TRANSMISSION



Ref. No.	Part No.	Description
1.	311128	Lockwasher-5/16 Split
2.	615500	Plug-Pipe
3.	616417	Washer-Thrust
4.	616425	Ring-Retaining
5.	616433	Plug-"O" Ring
6.	616441	Ring-"O"
7.	616755	Gasket-Gear Cover
8.	617019	Bolt-5/16-18x7/8 HX HD
9.	623504	Collar-Pin Retainer
10.	616466	Pin-3/8x2 Drive-Lok
11.	617845	Axle
12.	619536	Wheel-Worm
13.	620898	Bearing Assembly-Worm
14.	155515	Pin-1/4x1-1/8
15.	617084	Shaft-Worm
16.	624262	Worm
17.	616979	Transmission Housing w/Bearings and Seals
18.	423731	Bearing-Needle
19.	616383	Seal-Oil
20.	616391	Seal-Double Oil
21.	616524	Bearing-Needle
22.	617001	Cover Assembly
23.	572289	Cover
24.	545582	Bearing Assembly
25.	621870	Transmission Assembly

*Contact the manufacturer or a local service dealer for parts and warranty.
 *When servicing use only Genuine Factory Replacement Parts (OEM) that are specifically designed for the particular model that you are working with.
 *Parts are right or left hand as viewed from the operator's position.
 *Model specifications are subject to change without prior notice.
 *Do not operate the tiller unless all parts are attached and in good working order.
 *Tiller tire color, handle and/or other painted parts differing in color may be substituted without notice.