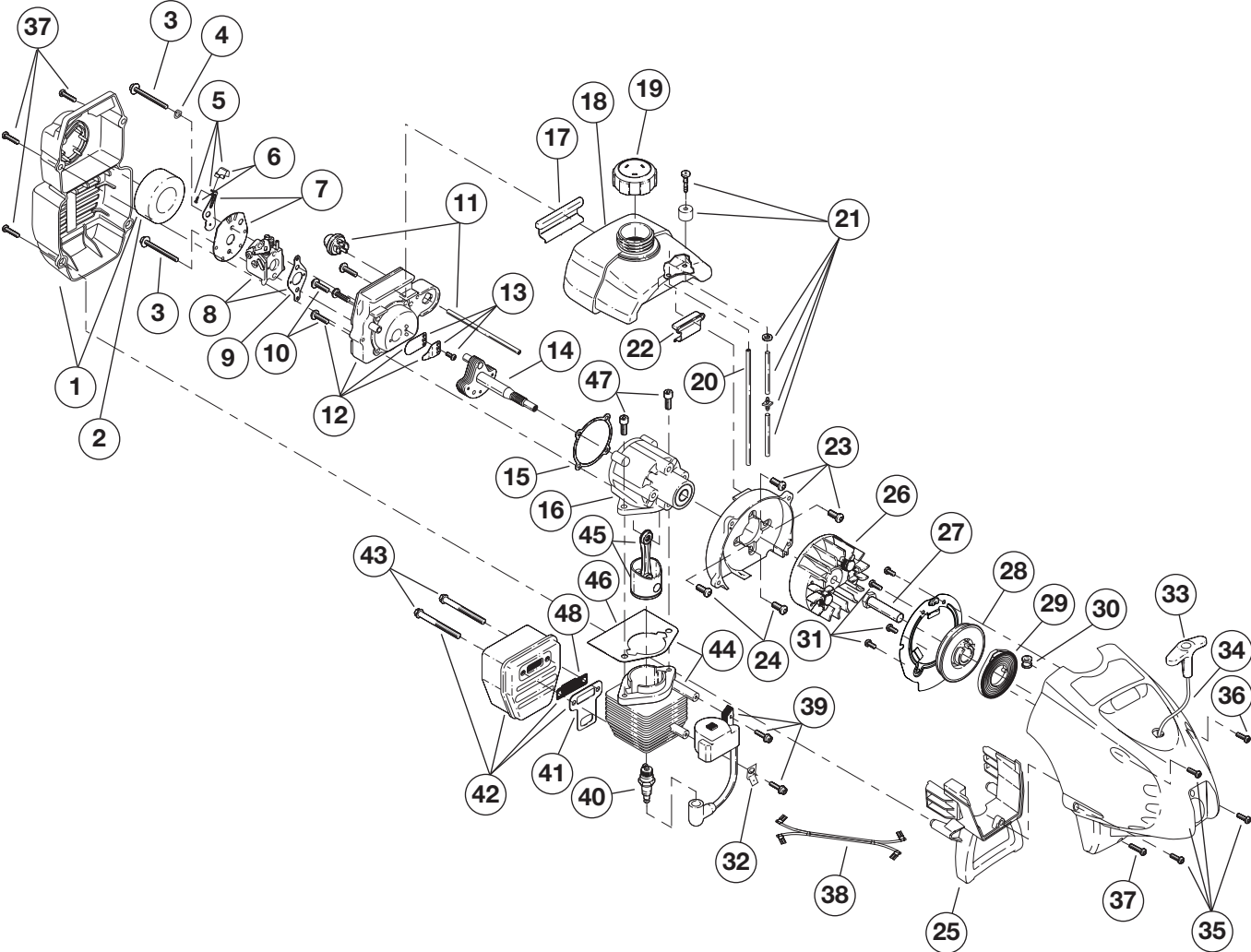


SECTION 9: PARTS LIST FOR MODEL 41AD-Y10-G401

Engine



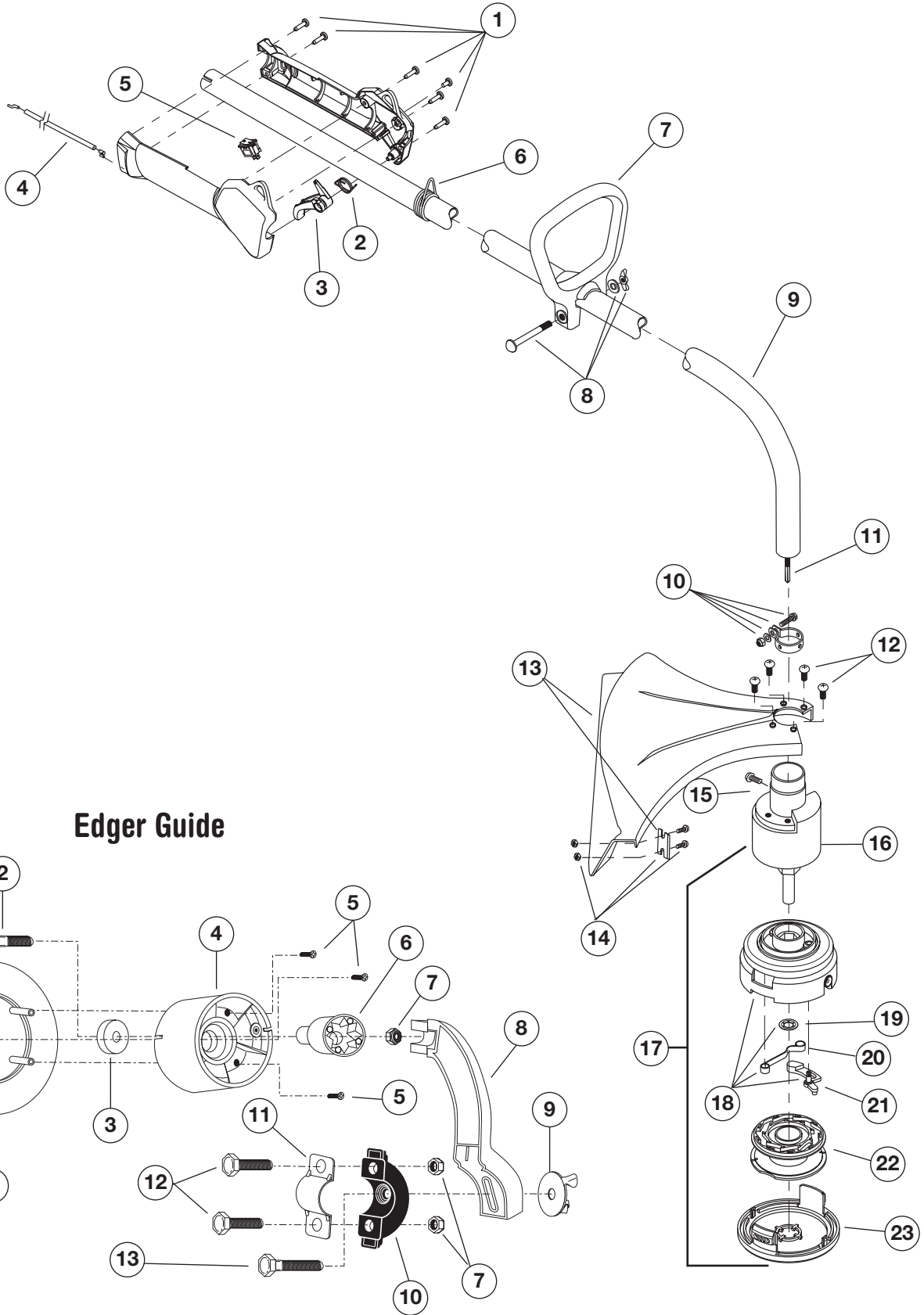
MODEL 41AD-Y10-G401: Engine

Ref. No.	Part No.	ENGINE Part Description
1	791-182059	Air Cleaner/Muffler Cover Assembly (includes 2 & 37)
2	791-180350B	Air Cleaner Filter
3	791-180351	Carburetor Mounting Screw Assembly
4	791-180226	Wavey Washer
5	753-1182	Choke Lever Assembly (includes 6)
6	753-1183	Choke Knob and Screw
7	753-1184	Choke Lever and Plate (includes 5)
8	791-182535	Carburetor Assembly with Limiter Caps (includes 9 & 21)
9	791-610675	Carburetor Gasket
10	791-181860	Carb Mount Screw
11	753-1185	Primer and Hose Assembly
12	791-182063	Carb Mount Assembly (includes 10)
13	791-684451	Reed Assembly
14	791-181866	Power Shaft Assembly
15	791-612115	Rear Cover Gasket
16	791-181865	Crank Case Service Assembly (includes 10, 14 & 24)
17	791-612134	Rear Mounting Pad
18	753-1186	Fuel Tank Assembly (includes 19-21)
19	753-1187	Fuel Cap Assembly
20	791-181168	Fuel Return Line
21	791-682039	Fuel Line Assembly
22	791-145308	Front Mounting Pad
23	791-153520	Shroud Assembly
24	791-181861	Shroud Screw
25	791-182064	Shroud Extension and Stand
26	791-181867	Flywheel Assembly
27	791-610303	Nut, Square Drive
28	791-181597	Recoil Pulley Assembly
29	791-613102	Recoil Spring
30	791-611061	Rope Guide
31	791-182926	Pulley Retainer Assembly (includes 30)
32	791-611063	Ground Tab

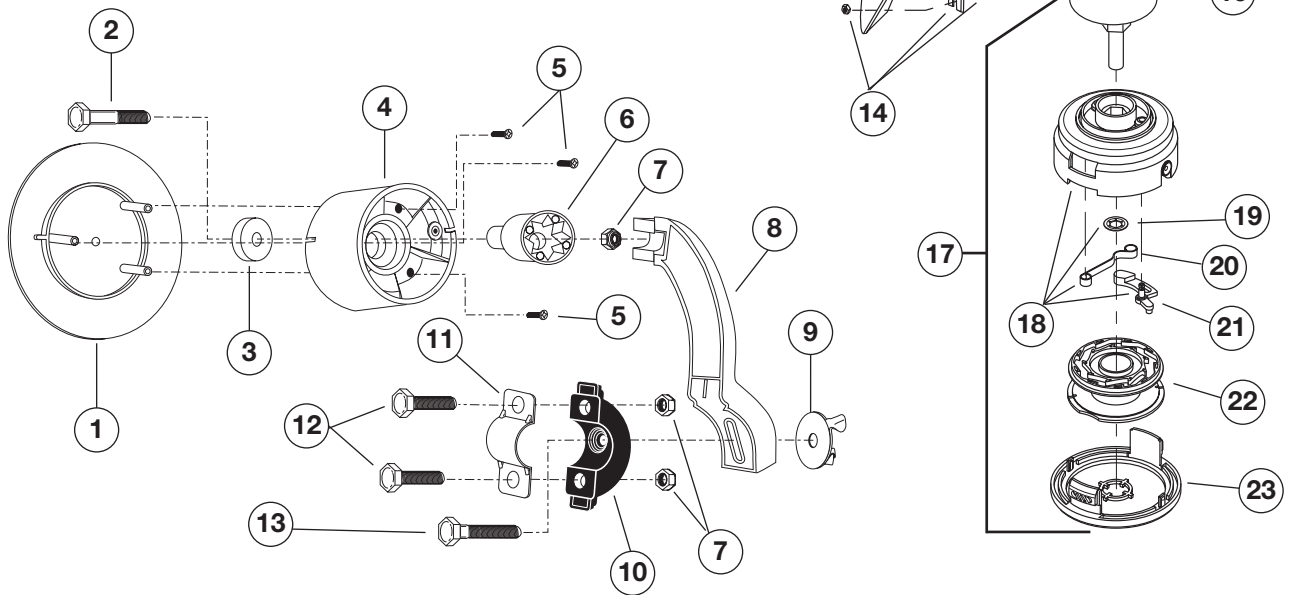
Ref. No.	Part No.	ENGINE Part Description
33	791-181079	Pull Handle
34	791-613103	Rope
35	791-00055	Starter Housing Assembly (includes 28-31, 33, 34, 36 & 38)
36	791-181862	Housing Screw
37	791-181345	Cover Screw
38	573-1188	Wire Lead
39A	791-181937	Positive Switch
39B	791-00056	Momentary Switch
40	791-610311B	Spark Plug
41	791-182065	Exhaust Gasket
42	791-182066	Muffler Assembly (includes 43)
43	791-147575	Muffler Mounting Bolt Assembly
44	791-181622	Cylinder Assembly (includes 47)
45	791-684449	Piston and Rod Assembly
46	791-610674	Cylinder Gasket
47	791-182723	Cylinder Bolt
48	791-182747	Spark Arrestor Screen
*	791-182067	Engine Gasket Kit
*	791-180602	O.E.M. Carburetor Repair Kit (Walbro)
*	791-180090	O.E.M. Carburetor Repair Kit (Zama)
*	791-181873	Gasket Diaphragm Repair Kit (Walbro)
*	791-180091	Gasket Diaphragm Repair Kit (Zama)
*	791-180530	Piston Ring
*	791-181863	Short Block Assembly (includes 10, 14, 16, 24, 45, 49-52)
*	791-181501	Starter Housing Screw Set
*	791-610309	Crankcase Seal
		*Items Not Shown

MODEL 41AD-Y10-G401

Boom with D-Handle



Edger Guide



MODEL 41AD-Y10-G401: Boom with D-Handle and Edger Guide

Ref. No.	Part No.	BOOM with D-HANDLE Part Description
1	791-00057	Throttle Housing and Trigger Assembly (includes 2 & 3)
2	791-182690	Throttle Trigger Spring
3	791-00058	Throttle Trigger
4	791-182068	Throttle Cable Assembly
5A	791-182673	Switch Assembly (Positive)
5B	791-182405	Switch Assembly (Momentary)
6	791-610327	Harness Clip
7	791-153064	D-Handle Assembly (includes 8)
8	791-181587	D-Handle Hardware
9	753-1162	Drive Shaft Housing Assembly
10	791-153597	Lower Clamp Assembly
11	791-182839	Flexible Drive Shaft
12	791-181858	Screw, Guard Mounting
13	791-180341	Guard Assembly w/ Blade
14	791-180553	Blade Assembly
15	791-182519	Screw, Anti-Rotation
16	791-153312	Bushing Housing Assembly
17	791-182840	Guard Mount Assembly w/ AFS Head (includes 16 and 18-23)
18	791-182841	Outer Spool with Retainer (includes 19-21)
19	791-181560	Retainer
20	791-182842	Spring
21	791-182843	Pawl (Ratchet)
22	791-182844	Inner Reel
23	791-182845	Spool Cover
Optional Accessories		
*	791-610375	Replacement Line, 0.080 Diameter
*	791-00052	Reel and Line Assembly
*	791-682075B	Shoulder Strap Assembly
*Items Not Shown		

Ref. No.	Part No.	EDGER GUIDE Part Description
1	753-1169	Plate
2	753-1170	Bolt
3	753-1171	Cupped Plastic Washer
4	753-1172	Wheel
5	753-1173	Phillips Head Screw
6	753-1175	Edger Guide Arm Adaptor
7	753-1167	Hex Nut
8	753-1174	Edger Guide Arm
9	753-1168	Wing Nut
10	753-1166	Mounting Block
11	753-1189	Clamp
12	753-1164	Hex Bolt
13	753-1165	Mounting Block Hex Bolt