

Models Affected: OEM-190-833 (46" FastAttach Snow Blade)

Serial Number Range Affected: 2006 Model Year 46" Snow Blade Attachments built between August 1, 2006 and January 1, 2007 (S/N Range 6213 through 7001)

Date: 12/14/2006

Subject: 46" Snow Blade Hitch Assembly Fit-Up to the 600 and 800 Series Step-Thru-Deck Lawn and Garden Tractors with FastAttach capability.

ACTION REQUIRED: This repair is to be considered a **Fix-As-Fail** repair

SYMPTOM(S): The Hitch Assembly, see Figure 1, may not have sufficient hitch bracket width to easily slide over the tractor frame brackets. Therefore, the Hitch Assembly may not hook onto the tractor frame bracket's shoulder bolts. In addition, various tractor models did not come with the FastAttach shoulder bolt hardware factory installed.

CORRECTIVE ACTION:

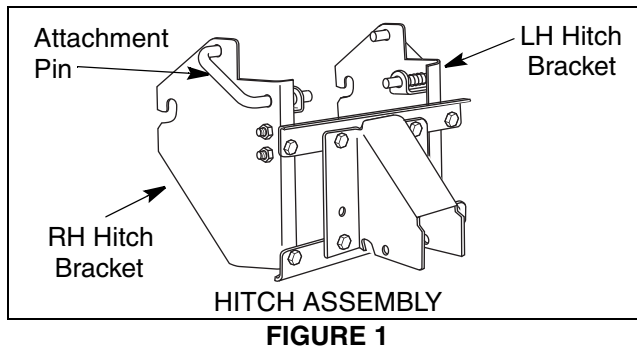


FIGURE 1

Pre- Installation Preparation:

1. Place the tractor on a firm and level surface which is large enough to accommodate the snow blade attachment and tractor.
2. Turn off the engine, remove the ignition key from the ignition switch and set the parking brake ON.
3. Allow the engine, muffler and exhaust deflector to cool before proceeding.

NOTE: Refer to the Snow Blade's Operator's manual for component and assembly terminology.

NOTE: The following steps are easier to perform if the push channel assembly and blade assembly are NOT assembled to the Hitch Assembly.

4. Locate the FastAttach shoulder bolts that are installed on the left and right tractor frame brackets. See Figure 2.

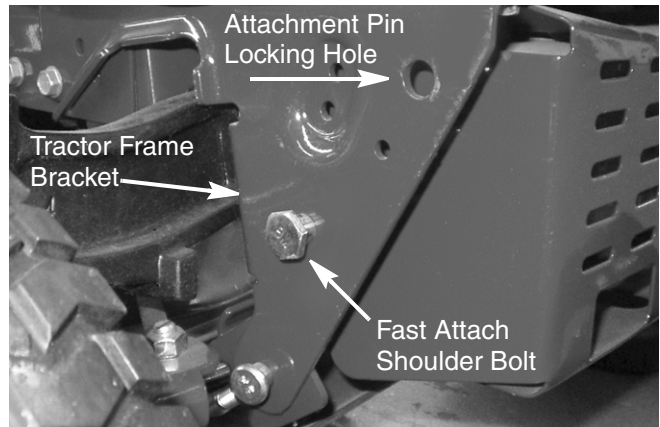


FIGURE 2

NOTE: Depending on the date of manufacture of the 46" snow blade accessory the shoulder bolt hardware may be packaged within the 46" snow blade accessory hardware package.

5. If there are no shoulder bolts on the tractor's frame brackets or included with the snow blade accessory, order and install Service Kit **753-05483**.
6. On the Hitch Assembly, pull both attachment pins out from the Hitch Assembly's locking holes, rotate pins away from the holes and release.
7. With the shoulder bolts installed as shown in Figure 2, attempt to position the Hitch Assembly onto the tractor frame brackets. If the Hitch Assembly slides on easily and sets on the shoulder bolts, align the locking holes in the Hitch Assembly with holes in the frame brackets and set attachment pins in the holes. Jump to Step 11.

If the Hitch Assembly does not fit over the frame brackets easily, proceed to Step 8.

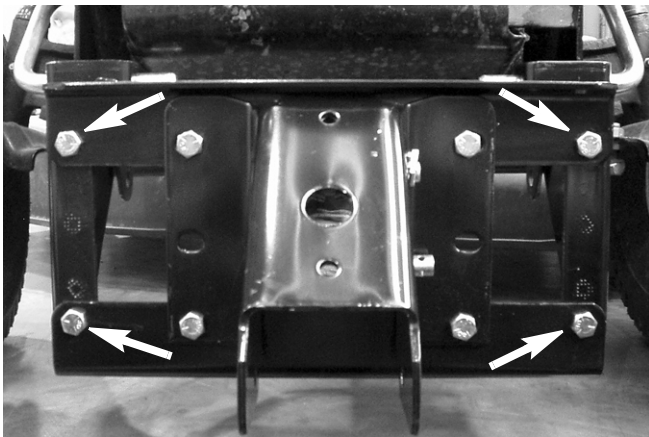


FIGURE 3

8. Using a 9/16" box/open end wrench and a 9/16" socket and ratchet, loosen the 4 bolts and nuts shown in Figure 3.

9. Set the Hitch Assembly over the tractor's frame brackets and onto the shoulder bolts. Align the locking holes in the Hitch Assembly with holes in the frame brackets and set both attachment pins in the holes.

10. With the Hitch Assembly on the tractor, using a 9/16" box/open end wrench and a 9/16" socket and ratchet, tighten the 4 bolts and nuts loosened in Step 8.

11. This completes the Service Advisory repair.

12. Refer to the 46" Snow Blade Operator's Manual and complete the snow blade assembly and installation.

Warranty: Normal warranty terms apply. Indicate Service Advisory **MTD- 055** and **P/N AF-25838** as the original failed part on the claim. Repair time allowance is **12 Minutes (0.2 Hrs)**. List model and serial number of the unit.

SERVICE MANAGER	PARTS MANAGER	SALES MANAGER	SERVICE TECH.	SERVICE TECH.

Circulate and Initial



Service Kit 753-05483

Date: 12/11/2006

Subject: FastAttach Accessory Shoulder Bolts

Models Affected: 2006 Model Year 600 and 800 Series Lawn and Garden Tractors

REFERENCE: S/A MTD-055

Read through and understand these instructions completely before proceeding with repair.

PURPOSE: This service kit is required when installing a front end FastAttach accessory on certain FastAttach model lawn and garden tractors. Various models did not come with the shoulder bolt hardware.

NOTE: *These materials are prepared for use by trained technicians who are experienced in the service and repair of equipment of the kind described in this publication, and are not intended for use by untrained or inexperienced individuals. Such individuals should seek the assistance of an authorized service technician or dealer.*

NOTE: *Save this Instruction Sheet. Refer to it when ordering replacement parts.*

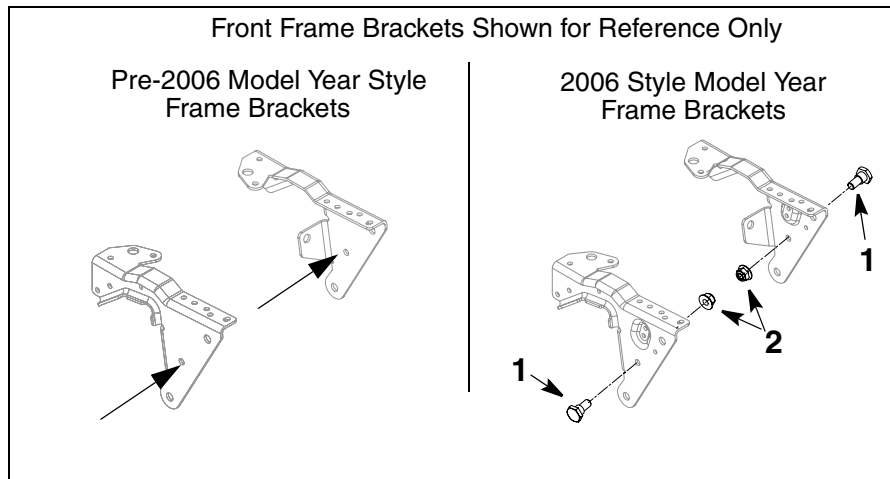


FIGURE 1

Service Kit Contents

(See Figure 1)

ITEM NO.	PART NUMBER	QTY	DESCRIPTION
1	738-0143	2	SCREW: SHOULDER: .496 x .336 x 3/8"-16
2	712-04065	2	NUT: FLANGE LOCK: 3/8"-16: GRF: NYLON
	*	1	THIS INSTRUCTION SHEET

* - Not Available Separately

Installation Instructions:

- Using a 3/4" socket and ratchet and a 9/16" open end wrench, install a Shoulder Screw, Item 1, and Flange Lock Nut, Item 2, onto each frame bracket as shown in the location defined in Figure 1. Tighten securely.
- Refer to the FastAttach accessory's Operator's Manual to proceed with the accessory installation.