



Service Kit

753-05300

Date: 11/30/2005
Subject: FastAttach Bracket Kit for 46"
Dozer Blade Attachment
Models Affected: OEM-190-833

Read through and understand these instructions completely before proceeding.

Various 2006 model year riders will have a new raised muffler configuration that exhausts out the side. The new muffler and exhaust deflector configuration has resulted in the redesign of some rider attachment support brackets thus providing clearance cutouts for the exhaust.

Before installing the OEM 190-833 on a 2006 model year rider it is necessary to determine which muffler configuration is on the rider. See Figures 1A and 1B.

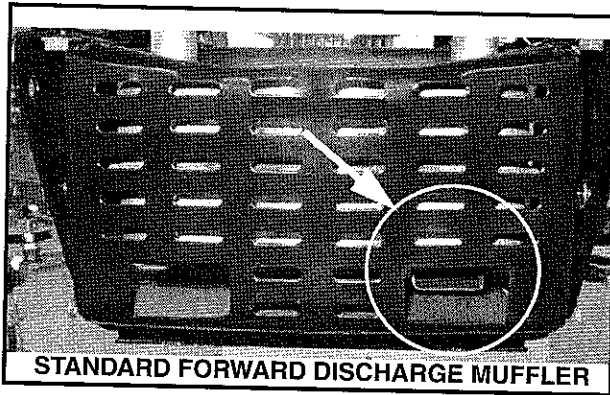


FIGURE 1A

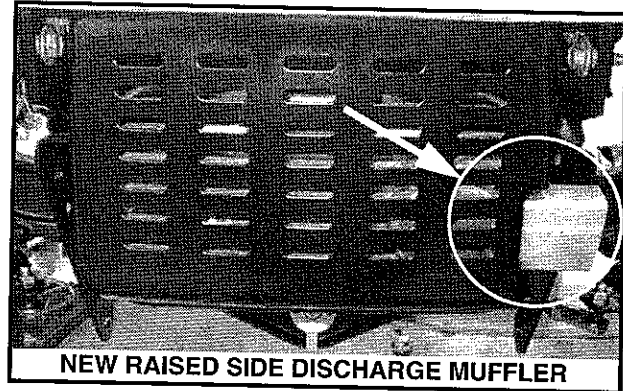


FIGURE 1B

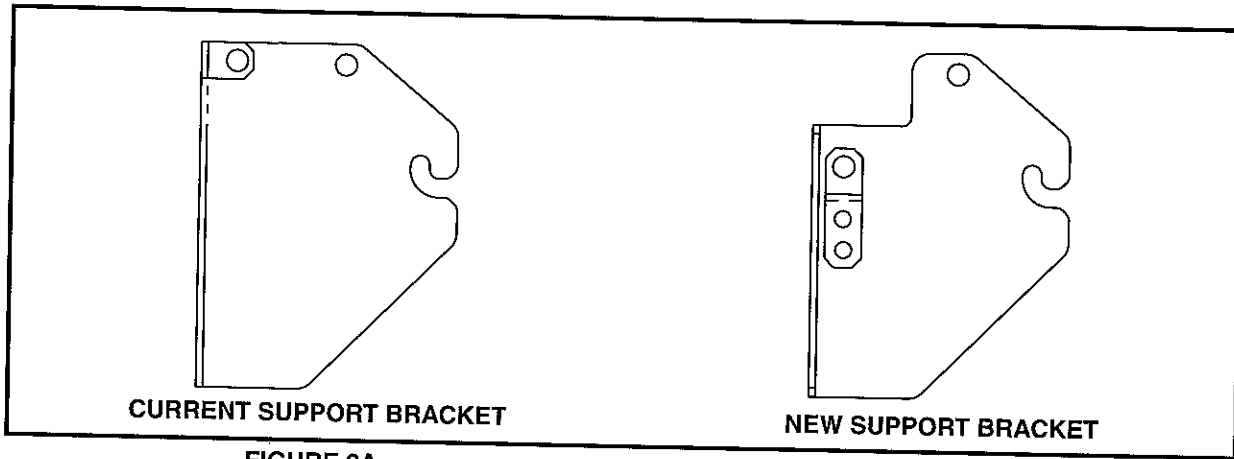


FIGURE 2A

FIGURE 2B

If the rider has the STANDARD FORWARD DISCHARGE MUFFLER configuration, see Figure 1A, the attachment hitch brackets do not require the cutout. The current hitch brackets as shown in Figure 2A are okay to use. This service kit is not required for riders with the STANDARD FORWARD DISCHARGE MUFFLER configuration.

If the rider has the NEW RAISED SIDE DISCHARGE MUFFLER configuration, see Figure 1B, the attachment hitch brackets do require a cutout. It is then necessary to replace the current hitch bracket assemblies on the dozer blade attachment with the new hitch bracket assemblies, as shown in Figure 2B, supplied with this kit. Proceed to page 2 of these instructions.

Read through and understand these instructions completely before proceeding with repair.

PURPOSE: The hitch bracket assemblies enclosed in this kit provide muffler exhaust clearance for those riders having the raised muffler configuration that exhausts out the side. These hitch bracket assemblies replace the hitch brackets 24518 and 24519 of the OEM-190-833 46" Dozer Blade attachment.

NOTE: These materials are prepared for use by trained technicians who are experienced in the service and repair of equipment of the kind described in this publication, and are not intended for use by untrained or inexperienced individuals. Such individuals should seek the assistance of an authorized service technician or dealer.

NOTE: Save this Instruction Sheet. Refer to it when ordering replacement parts.

Service Kit Contents

(See Figure 3)

ITEM NO.	PART NUMBER	QTY	DESCRIPTION
1	AF-44326	4	BOLT:CARRIAGE:5/16-18 x .75:GR1
2	AF-47810	4	NUT:HEX NYLOCK: 5/16"-18
3	AF-25785	2	BRACKET:KEEPER:J-PIN
4	AF-25838	1	BRACKET:MOUNTING:RH
5	AF-25839	1	BRACKET:MOUNTING:LH
6	AF-40005	2	J-PIN
7	732-3129	2	SPRING:COMPRESSION
8	AF-43659	2	PIN: ROLL: STEEL
9	769-02197A	1	THIS INSTRUCTION SHEET

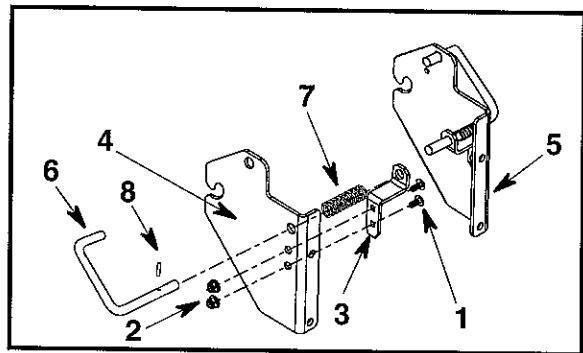


FIGURE 3

Installation Instructions:

If the dozer blade attachment has already been assembled, proceed to Step 1. If the attachment is not assembled, i.e. just removed from the shipping carton, proceed to Step 5.

1. Using a 9/16" box wrench and 9/16" socket and ratchet, remove the four (4) 3/8" x 1" bolts and 3/8"-16 flange lock nuts that secure the hitch brackets to the angle support brackets. See Figure 4.

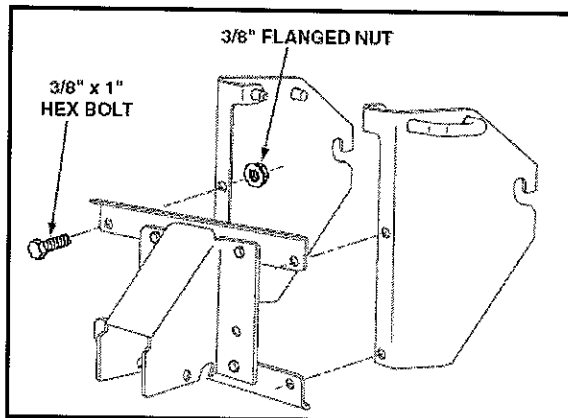


FIGURE 4

2. Discard the existing hitch bracket assemblies removed in Step 1.

3. Install the new hitch bracket assemblies supplied in the kit to the angle support brackets with the hardware removed in Step 1.

4. Install the dozer blade onto the rider per the instructions in the dozer blade's Operator's Manual. This completes this service kit upgrade.

5. Remove from the shipping carton and discard the hitch bracket assemblies that came with the attachment.

6. Follow the dozer blade assembly instructions in dozer blade's Operator's Manual using the new hitch bracket assemblies supplied with this kit.

7. Install the dozer blade onto the rider per the instructions in the dozer blade's Operator's Manual. This completes this service kit upgrade.