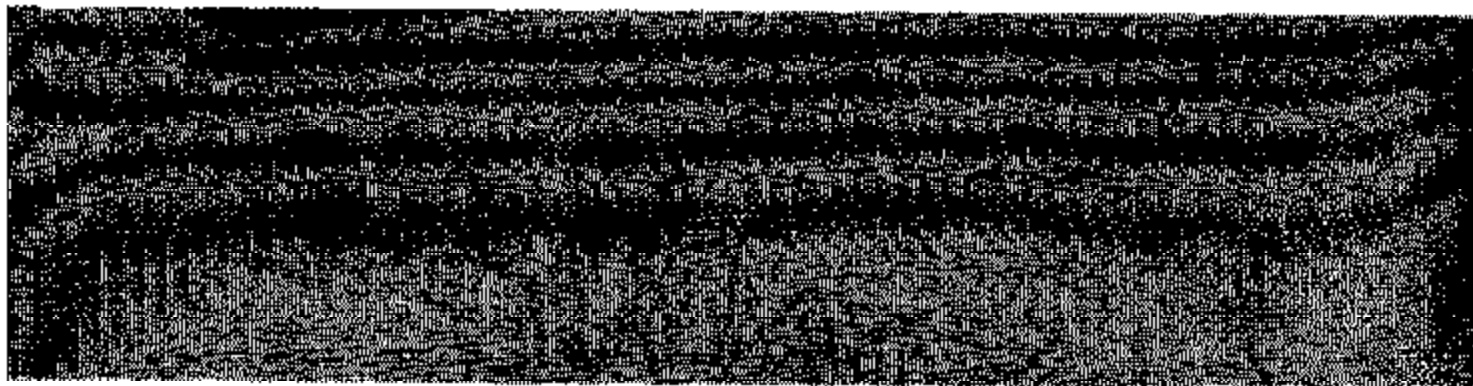


PRICE .35

PRINTED IN U.S.A.

PART NO. 24528



HOMELITE®

1130G AUTOMATIC CHAIN SAW



PARTS LIST

1130G AUTOMATIC

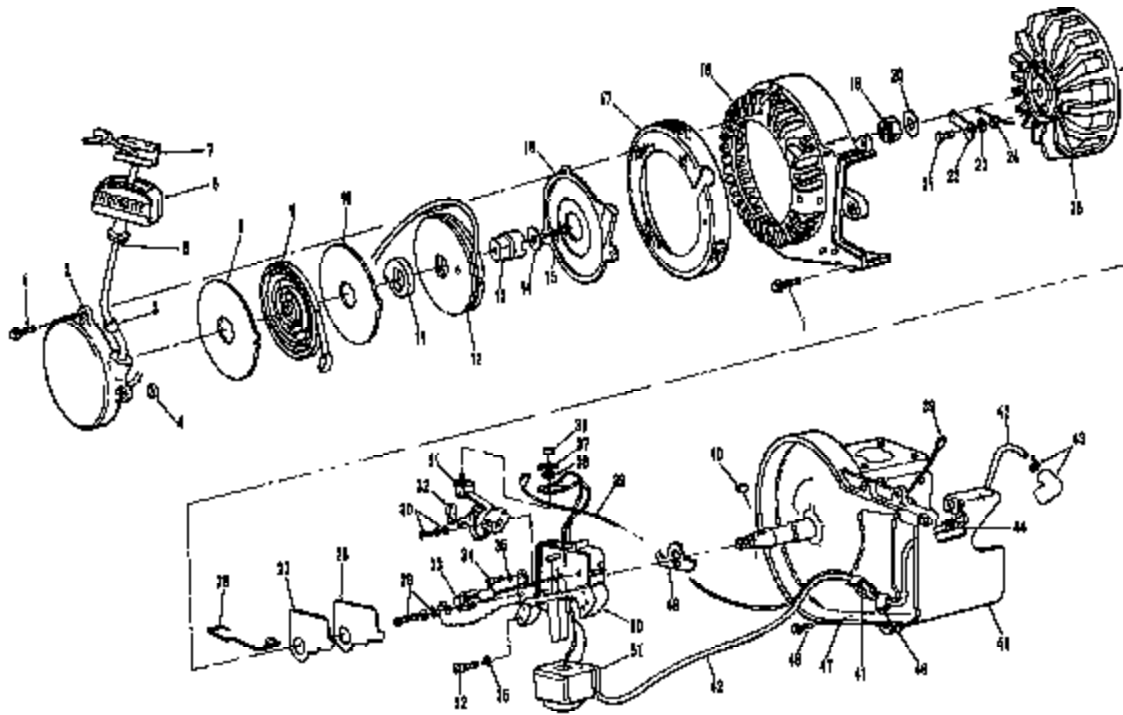


FIGURE 1

No	Description	Part No	Qty	No	Description	Part No	Qty
1	SCREW hex, 12 24 x 3/4	80897	7	27	COVER breaker box	65079	1
2	COVER starter	A 64178 3	1	28	GASKET breaker box	65078 2	1
3	BUSHING rope	87177	1	29	SCREW GROUP condenser	87750	1
4	BUSHING spring outer loop	68830	1	30	SCREW GROUP point	87749	1
5	ROPE starter	68808	1	31	POINT SET	A 68165	1
6	GRIP rope	65937	1		Includes		
7	INSERT rope retaining	88617	1	32	WICK	65904	1
8	SHIELD spring (inner) (optional)	68711	1	33	CONDENSER w/terminal	65067	1
9	SPRING rewind	84180 A	1	34	SCREW fil, 10 24 x 1/2	80888	1
10	SHIELD spring (outer) (optional)	86712	1	35	WASHER lock, no 10	83046	3
11	LOCK spring rewind	64048 A	1	36	NUT terminal	65062	1
12	PULLBY starter	84080 1	1	37	TAB ground	65733	1
13	CUP starter	67139	1	38	WASHER terminal	65063	1
14	WASHER retaining	68703	1	39	LEAD ground w/terminal	A 88021	1
15	SCREW hex, 10 32 x 1/2	80648	1	40	KEY rotor	75078	1
16	SHIELD sawdust	64062	1	41	SLEEVE	65290	1
17	SCREEN fan housing	86380 2	1	42	LEAD high tension	88392	1
18	BUSHING fan	68084 1	1	43	TERMINAL spark plug	A 85073 A	1
19	NUT lock, 7/16 20	81104	1	44	GRDMMET	88048	1
20	WASHER flat	84047	1	45	SHIELD cylinder	A 83736 1	1
21	STUD shoulder	64064	2	46	CLAMP lead	88014	1
22	PAWL starter	68768	2	47	CRANKCASE w/pin (See Fig 2)	A 84532	1
23	WASHER	88831	2	48	SCREW hex, 10 32 x 3/8	80889 1	1
24	SPRING starter pivot	68788 1	2	49	SEAL breaker box	86282 A	1
25	ROTOR	84063 A	1	50	BOX breaker w/box	57744	1
26	CLAMP dust cover	86880	1	51	DOIL w/ground terminal	65888 A	1
				52	SCREW fil, 10 24 w 7/8	80880	2

ALWAYS FURNISH MODEL AND SERIAL NUMBER WHEN ORDERING PARTS

1130G AUTOMATIC

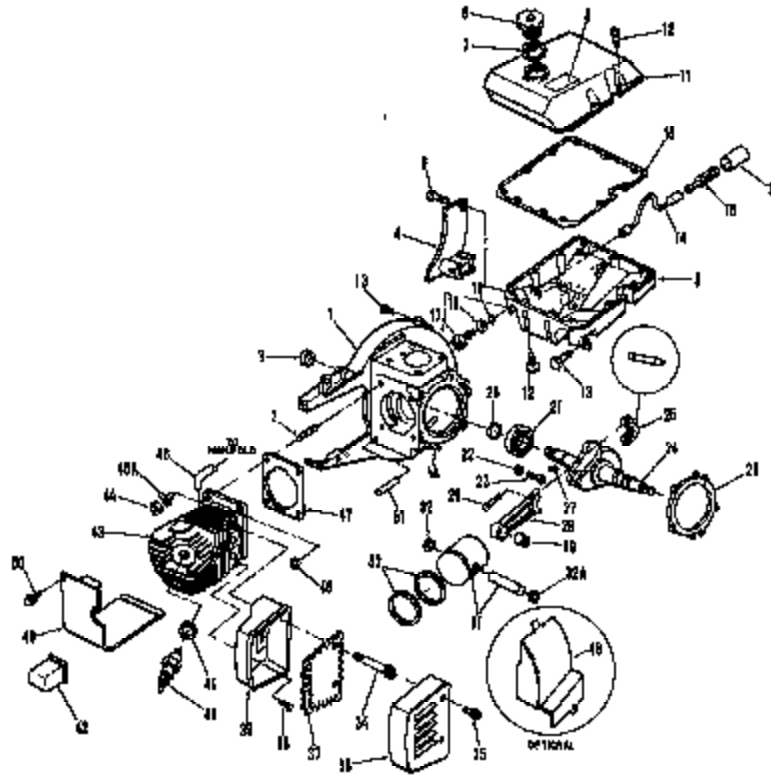


FIGURE 2

No	Description	Part No	Qty
1	CRANKCASE w/pins Includes	A 64532	1
1A	PIN dowel	74332	2
2	STUD	72787 1	4
3	SEAL	58308 A	1
4	BRACKET handle bar	58395 2	1
5	SCREW hex, 12 24 x 7/8	80891	1
6	CAP tank Includes	A 64140 1	1
7	GASKET	65368	1
	VALVE, vent (not shown)	63718	1
8	DECAL caution	64144	1
9	TANK fuel w/scraper Includes	A 67738	1
10	GASKET fuel tank	67877	1
11	COVER fuel tank	66887 2	1
12	SCREW fill hd, 8 32 x 5/8	82146	11
13	SCREW, hex hd, 12 24 x 3/4	82857	3
14	FLEXIBLE LINE	66806	1
18	FILTER ASSEMBLY Includes	A 56251	1
16	FILTER	66253	1
17	FITTING, fuel	63132	1
18	GASKET	63175 1	1
19	"D" RING	67900	1
20	RING retaining	66310 A	1
21	BEARING ball	66190 S	1
22	WASHER lock	83061	2
23	SCREW bearing retaining	16238 3	2
24	CRANKSHAFT	A 64351	1
26	ROLLERS set of 31	A 64678	1
28	GASKET	63358	1
27	KEY woodruff	76078	1
28	CONNECTING ROD Includes	A 59945	1
29	SCREW 10 32 x 5/8	80045	2
30	BEARING needle	66806	1

No	Description	Part No	Qty
31	PISTON and PIN Includes	A 60071 D	1
32	RING retaining	66280	1
32A	RING retaining	64743	1
33	PISTON RING	66281	2
34	STUD muffler	66662 B	2
35	SCREW hex hd, 12 24 x 3/8	80837	2
*36	CAP muffler	A 64484 2	1
37	BAFFLE muffler	66678 1	1
38	SCREW hex, 1/4 20 x 5/8	60402	1
*39	BODY muffler	A 68627 2	1
40	SPARK PLUG Includes	63547 S	1
41	GASKET	25038	1
42	CAP Spark plug	63738	1
43	CYLINDER	A 65971	1
44	NUT hex, 5/16 24	26412	4
45	WASHER lock, 5/16	63002	3
45A	WASHER lock	65367 1	1
46	LINE fuel	63668	1
47	GASKET cylinder	64483	1
48	EXCHANGER heat (optional)	63103 1	1
48	CYLINDER SHIELD	A 63736 1	1
50	SCREW hex hd, 10 24 x 3/8	80868 1	2
51	SLEEVE	66260	1

ACCESSORIES (not shown) AVAILABLE FROM YOUR DEALER

A 63518 SPARK ARRESTOR requires Part No 63548 G-HUM
1 under each MUFFLER STUD

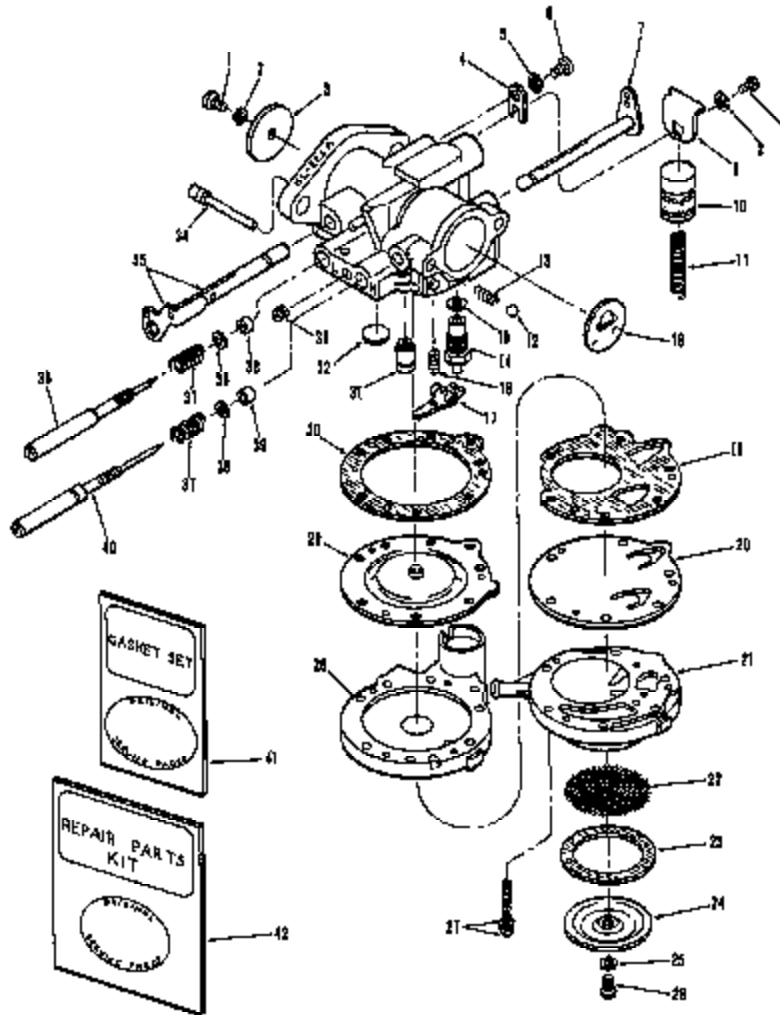
A 64411 MUFFLER and SHIELD ASSEMBLY

Includes	A 64410	BODY MUFFLER	1
	64408	CAP MUFFLER	1
	63666 A	SCREW SHOULDER	3
	64408 2	SHIELD MUFFLER	1
	59682 B	STUD MUFFLER	1
	60402	SCREW HEX HD 1/4 20 x 5/8	2

* Denotes new parts

ALWAYS FURNISH MODEL AND SERIAL NUMBER WHEN ORDERING PARTS

1130G AUTOMATIC



MODEL HL-222A

A-83585

No	Description	Part No	Qty
1	SCREW rd., 4.40 x 1/4	80691	1
2	WASHER lock, no. 4	83008 1	2
3	SHUTTER throttle	77430	1
4	CLIP throttle shaft	73086	1
5	WASHER lock no. 8	83000	1
6	SCREW flat, 8.32 x 5/16	75086	1
7	SHAFT and LEVER choke	83889	1
8	SCREW rd., 4.36 x 1/4	80006 1	1
9	CAM accelerating pump	84287	1
10	PUMP accelerating	A 83898	1
11	SPRING pump	83894	1
12	BALL	26627	1
13	SPRING choke friction	79284	1
14	NEEDLE and SEAT inlet lockless	A 84778	1
16	BASKET	55344	1
17	SPRING tension	77426	1
18	LEVER inlet control	56747	1
19	SHUTTER choke	77427	1
20	GASKET fuel pump	58528	1
21	DIAPHRAGM fuel pump	57729	1
22	BODY fuel pump	69285	1

No	Description	Part No	Qty
122	SCREEN fuel	58527	1
23	GASKET	56751	1
24	COVER strainer	58528	1
25	GASKET cover	28098	1
26	SCREW cover	68525	1
27	SCREW fil., 8.32 x 13/16 w/lockwasher	88318	8
28	COVER diaphragm	83992	1
29	DIAPHRAGM	57829	1
30	GASKET diaphragm	57824	1
31	NOZZLE emit.	A 77429	1
32	PLUG expansion	30818	1
33	PLUG channel	73087	1
34	PIN inlet lever	A 56762	1
35	SHAFT and LEVER throttle	83897	1
36	NEEDLE idle adjusting	68580	1
37	SPRING adjusting handle	79075	2
38	WASHER adjusting needle	75735	2
39	PACKING adjusting needle	75733	2
40	NEEDLE main adjusting	58538	1
41	GASKET SET	68567	1
42	REPAIR PARTS KIT GASKET and DIAPHRAGM SET	68564	1
		63580	1

Included in REPAIR PARTS KIT
 *Denotes New Parts

ALWAYS FURNISH MODEL AND SERIAL NUMBER WHEN ORDERING PARTS

1130G AUTOMATIC

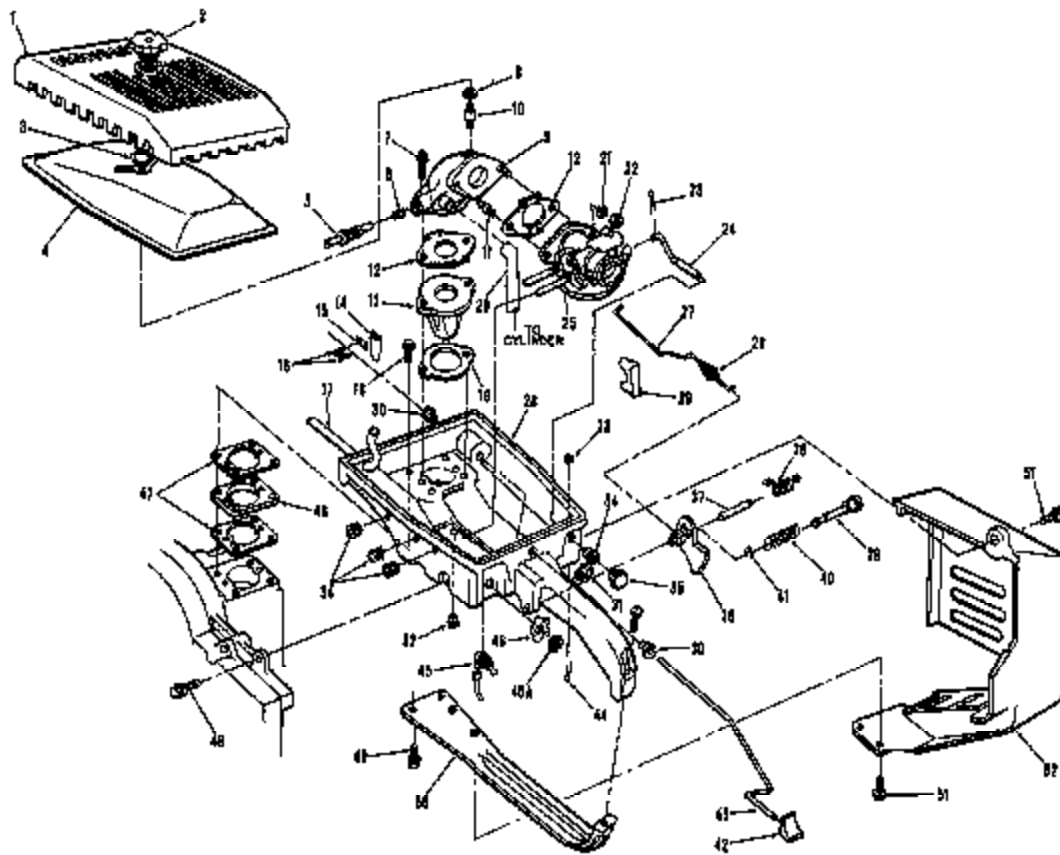


FIGURE 3

No	Description	Part No	Qty
1	COVER air filter	56230	1
2	NUT cover	A 56229	1
3	RING-retaining	56319 A	1
4	FILTER ELEMENT air	83728	1
5	SCREW idle adjusting	83887	1
6	SPRING adjusting screw	83884	1
7	SCREW hex, 1/4 20 x 1/2	80882	2
8	GASKET stud	56392	1
9	MANIFOLD intake	A 83826	1
10	STUD cover	56381	1
11	STUD carburetor	27464	2
12	GASKET carburetor	63955 A	2
13	SEAT reed valve	56827	1
14	REED valve	56828	4
15	CLAMP reed	89828	8
16	SCREW pan, 4 40 x 2/16	80886	8
17	LINE fuel	85680	1
18	SCREW hex, 12 24 x 1	80884	5
19	GASKET spacer	56949	1
20	LINE fuel idle	83666	1
21	WASHER lock, 1/4	83088	2
22	NUT hex, 1/4 20	81013	2
23	PIN cotter, 1/32 x 1/2	86324	1
24	ROD choke	A 56354	1
25	CARBURETOR	A 83685	1
26	BOOT rod	56348	1
27	ROD throttle	56338	1
28	HANDLE throttle Includes	A 63665	1

No	Description	Part No	Qty
29	STOP rod	56820	1
30	BUSHING rod	56829	2
31	BUSHING lock pin	59084	1
	PLUG button (not shown)	64607	1
32	PLUG button Includes	A 64744	1
	"O" RING (not shown)	69766	1
33	FELT	60290	1
34	GROMMET	56392	4
35	BUTTON rod	57288	1
36	TRIGGER throttle	56181 A	1
37	SHAFT trigger	56353	1
38	SPRING throttle	56352 A	1
39	PIN throttle lock	88404	1
40	SPRING lock	59406	1
41	RING retaining	56408	1
42	BUTTON oil rod	86387	1
43	ROD oil pump	60127 A	1
44	PIN cotter, 1/16 x 1/2	86301	1
45	SWITCH toggle w/nut Includes	A 57650	1
46A	NUT	72084 A1	1
46	PLATE "ON OFF"	72085 A	1
47	GASKET spacer	88343	2
48	SPACER throttle handle	56391	1
49	SCREW hex, 12 24 x 3/4	80867	3
50	BRACE throttle handle	56188 A1	1
51	SCREW hex, 12 24 x 5/8	80676	3
52	SHIELD muffler	83732	2

ALWAYS FURNISH MODEL AND SERIAL NUMBER WHEN ORDERING PARTS

1130G AUTOMATIC

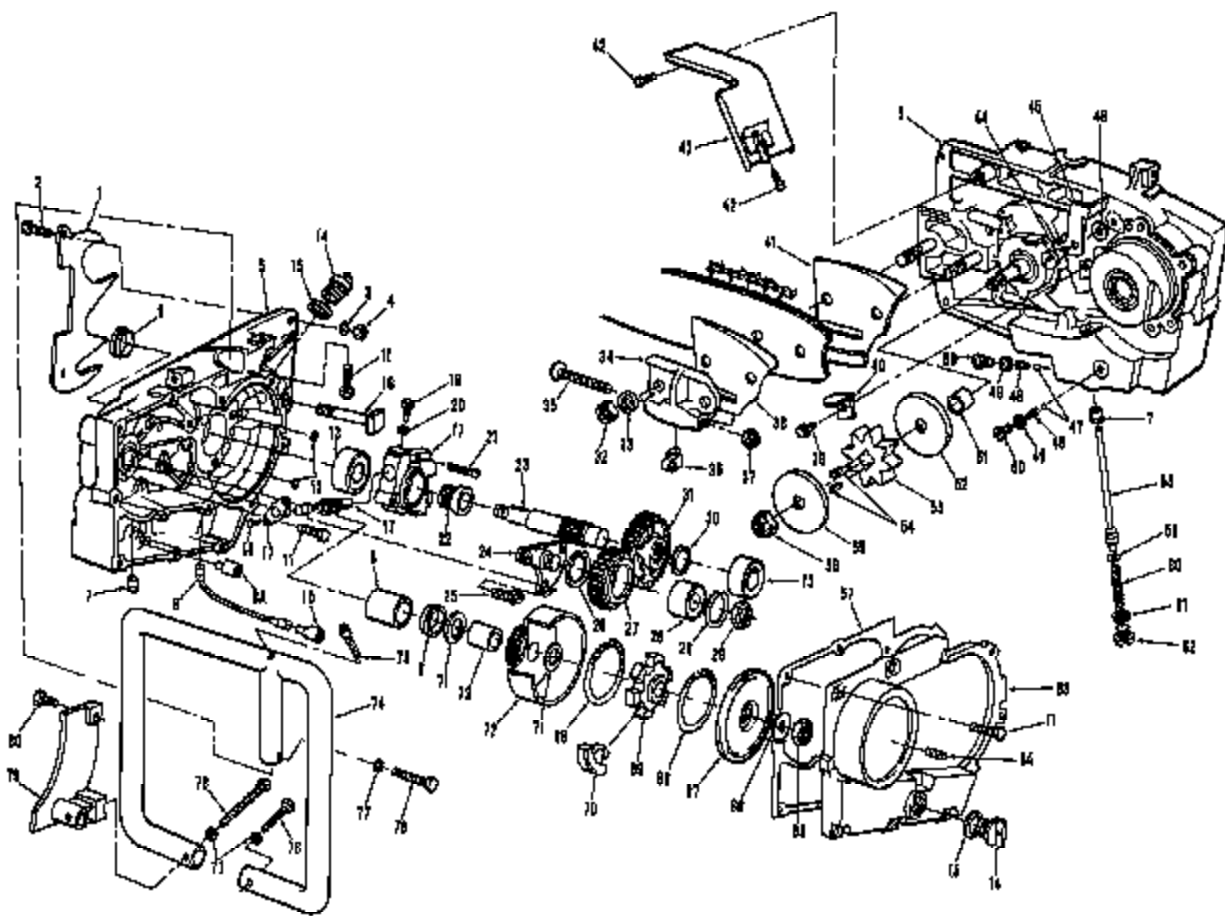


FIGURE 4

1130G AUTOMATIC

FIGURE 4

No	Description	Part No.	Qty	No	Description	Part No.	Qty
1	KIT spring bumper (western)	A 83453	1	37	NUT hex lock	81123	1
	Includes			38	PLATE guide bar (outer)	56957 A	1
2	SCREW hex, 1/4 20 x 7/8	80181 3	2	39	SCREW hex 10 24 x 3/8	30889 1	1
3	WASHER lock, 1/4	83008	2	40	BRACKET rod	83110	1
4	NUT 1/4 20	81063	2	41	PLATE guide bar (inner)	86986	1
	KIT spring bumper (western not shown) if (optional)	A 83108	1	42	SCREW hex, 12 24 x 3/8	80837	2
	Includes			43	GUARD chain	A 83778	1
	SCREW hex, 1/4 20 x 3/4	80218 1	2		DEFLECTOR sandblast (not shown)	83716	1
	WASHER lock, 1/4	83008	2		RIVETS (not shown)	85126	3
	NUT 1/4 20	81063	2	44	SCREW pivot	88981	1
5	HOUSING gear	A 83088 C	1	45	BELL CRANK	68382	1
	Includes			46	WASHER thrust	83188	1
6	SEAL	88088 A	2	47	BALL check	76627	2
7	BUSHING rod	88084	1	48	SPRING check valve	84022	2
	ELBOW (not shown)	88532	1	49	GASKET check valve cap	88358	2
8	BEARING	78167 8	1	50	CAP check valve	88359	2
9A	FILTER oil (manual)	A 83218	1	51	SPACER sprocket	88687	1
9	LINE oil	88674	1	52	WASHER sprocket (inner)	86074	1
10	FILTER oil (automatic)	A 84283	1	53	SPROCKET 8 tooth, 1/2" pitch	26883 3	1
11	SCREW hex, 12 24 x 3/4	80687	17		Optional 7 tooth, 5/16" pitch	74481 1	1
12	"O" RING	88074	2	54	KEY sprocket	86078 1A	2
13	BEARING ball	83107 S	2	55	WASHER sprocket (outer)	86077	1
14	CAP filter (oil)	A 83717 A	2	56	NUT hex, 1/2 20	81101	1
	Includes per cap			57	BASKET	83124	2
16	GASKET	88607	1	58	PLUNGER	A 83112	1
	VALVE vent (not shown)	83718	1		Includes		
18	BOLT guide bar	88834	2	59	"O" RING	74388	1
17	PUMP automatic oil	A 83082	1	60	SPRING compression	88283	1
	Includes			61	WASHER	88128	1
18	SCREW hex, 4 40 x 1/4	80818	2	62	CAP oil pump	83116	1
19	SCREW bolt	84108 A	1	63	DOVER gear housing	84831 4	1
20	GASKET	88738	1	64	PLUG pipe	28067	1
21	SCREW hex, 6 32 x 7/8	80688	3	65	NUT hex, 3/8 24	81182	1
22	WORM gear	87084 A	1	66	WASHER	85058	1
23	SHAFT sprocket	88277 A	1	67	COVER plunger	88023 A	1
24	GEAR roller gear	88288 1A	1	68	SPRING clutch	87441	2
25	SCREW hex, 1/4 20 x 3/4	83407	3	69	SPIDER clutch	88547 3	1
26	RING retaining	28822	2	70	SHOE clutch	A 87618	6
27	GEAR roller	88280	1	71	WASHER thrust	88132	2
28	BEARING ball	72328 S	1	72	DRUM clutch w/gear	A 83123	1
29	NUT roller gear	87788 A	1	73	BEARING sleeve	88803	1
30	RING retaining	83108	1	*74	HANDLE BAR, oversize	A 84488 2	1
31	GEAR driven 2 1 ratio, 64 teeth	88278 1	1		Optional wrap around	A 83138	1
	optional 2 1 ratio, 42 teeth	88288 1	1		Includes		
32	NUT hex 3/8 18	81088 2	2	76	SCREW hex, 5/16 18 x 1	80308	1
33	WASHER lock 3/8	83078	2	76	SCREW hex, 5/16 18 x 1-1/2	80887	2
	PLATE adjusting	A 85881	1	77	WASHER lock, 5/16	83003	3
	Includes			78	SCREW hex, 5/16 18 x 3/4	80888	1
34	PLATE	86351 2	1	79	BRACKET handle bar	88835 2	1
*36	SCREW rod, 3/16 18 x 2 1/8	82218	1	80	SCREW hex, 12 24 x 7/8	80881	1
38	PIN guide bar adjusting	88582 1	1		LABEL chain (OREGON)	88118	1

*Denotes new parts

1130G AUTOMATIC

Tools

22820-2	COLLAR-main bearing installation
A- 23872	JACKSCREW-magneto
23670	PLATE-crankshaft aligning
22750	PLATE-sprocket locking
22828	PLIERS-retaining ring (piston)
23391-3	PLUG-bearing installation
23228	PLUG-bearing installation
23674	PLUG-bearing installation (conn. rod)
23913	PLUG-bearing and seal installation
23233-1	PLUG-seal assembling (crankcase)
23671	PLUG-seal assembling (gear housing)
A- 24028	PULLER-magneto rotor
23138-2	SLEEVE-bearing and shaft installation
23693	SLEEVE-seal protecting
A- 24284	WRENCH-combination
23528	WRENCH-socket screw (conn. rod)
A-23686-A	WRENCH-spanner

Accessories

23742	DECAL (universal replacement) composed of "Direct Drive," "Gear Drive," "Starting Instructions" and two "HOMELITE" (letters 1/4" and 1/2" high).
A- 67757	HANDLE-helper
23488-B	LOCTITE
55291-C	OIL-gear (1pt. container)

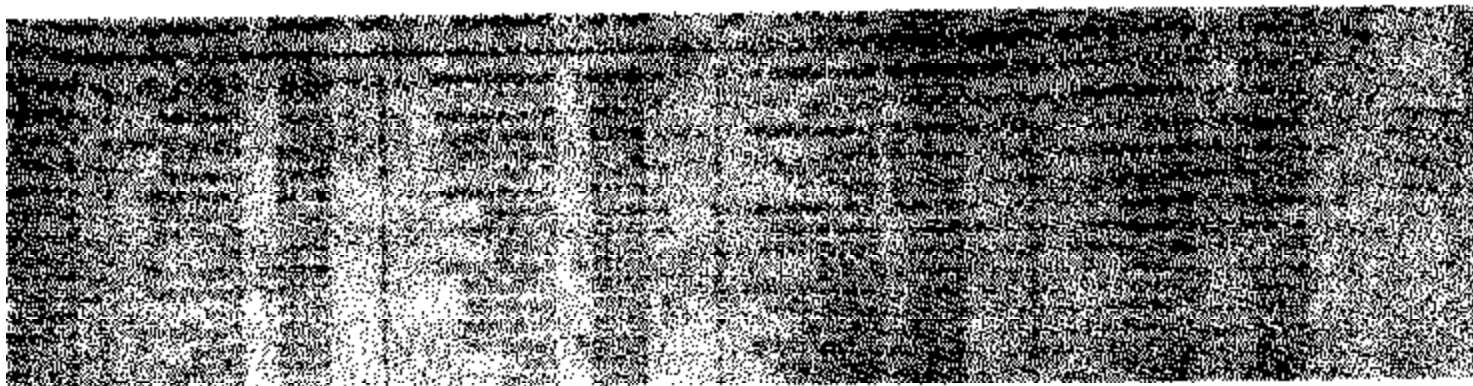
Paint

22772	PAINT-black (spray can)
23475	PAINT-red (spray can)

1130G AUTOMATIC

Part No.	Description	Qty.	Part No.	Description	Qty.	Part No.	Description	Qty.	Part No.	Description	Qty.
19238-3	Screw	2	68023-A	Cover-clutch	1	63103-1	Exchanger-heat	1	A- 67619	Shoe-clutch	8
22750	Plate-sprocket	1	68138	Washer	1	63107-5	Bearing-ball	2	67677	Gasket-fuel tank	1
22772	Spray Can-black	1	A- 68165	Point Set	1	63108	Ring-retaining	1	A- 67739	Tank-fuel	1
22820-2	Collar	1	68181-A	Trigger-throttle	1	63109	Washer-thrust	1	A- 67767	Handle-helper	1
22828	Pliers-retaining	1	68188-A.1	Brace	1	63110	Bracket-rod	1	67900	"O" Ring	1
23163-2	Sleeve	1	68190-6	Bearing-ball	1	A- 63112	Plunger	1	68048	Grommet	1
23228	Plug-bearing	1	68308-A	Seal	1	63115	Cap-oil pump	1	68119	Label-chain	1
23233-1	Plug-seal	1	68319-A	Ring-retaining	2	A- 63115	Filter-rod	1	* 68667	Gasket Set	1
23391-3	Plug-bearing	1	A- 68321	Lead-ground	1	A- 63123	Drum-clutch	1	* 68664	Repair Kit	1
23478	Spray Can-red	1	68334	Bolt-guide bar	2	63124	Gasket	1	72084-A.1	Nut	1
23498-B	Loctite	1	68336	Gasket	2	63127-A	Rod-oil pump	1	72085-A	Plate-on-off	1
23828	Wrench	1	68338	Cap-check valve	2	63132	Fetting-fuel	1	72328-6	Bearing-ball	1
23670	Plate-shaft	1	68343	Gasket-spacer	2	A- 63136	Handle Bar	1	72787-1	Stud	4
23671	Plug-seal	1	68346	Boot-rod	1	A- 63138	Kit-bumper	1	73067	Plug-channel	1
A- 23672	Jackscrew	1	68352-A	Spring-throttle	1	63176-1	Gasket-fuel	1	73075	Spring	2
23683	Sleeve-seal	1	68383	Shaft-trigger	1	63290	Felt	1	73088	Clip-shaft	1
A- 23888-A	Wrench-spanner	1	A- 68354	Rod-choke	1	63366	Gasket	1	73088	Screw-flat	1
23742	Decal	1	68367	Button-oil rod	1	A- 63398-C	Housing-gear	1	73284	Spring-choke	1
23874	Plug-bearing	1	68381	Stud-cover	1	63407	Screw-hex	3	74332	Pin-dowel	2
23913	Plug	1	68382	Grommet	4	A- 63413	Kit-bumper	1	74388	"O" Ring	1
A- 24028	Puller-rotor	1	68382	Lead	1	A- 63518	Spark Arrestor	1	74481-1	Sprocket	1
A- 24284	Wrench-comb	1	68391	Spacer	1	63647-6	Spark Plug	1	75078	Key-rotor	1
28038	Gasket	1	68392	Gasket-stud	1	63648	Shim	2	75733	Packing	2
28412	Nut-hex	4	68404	Pin-throttle lock	1	A- 63686	Carburetor	1	75735	Washer	2
28527	Bell-check	3	68405	Spring-lock	1	63690	Gasket & Dia	1	78167-S	Bearing-needle	1
27484	Stud-carburetor	2	68408	Ring-retaining	1	63655-A	Gasket-carb	1	77428	Spring-tension	1
28087	Plug-pipe	1	68517	Insert-ropo	1	63658	Line-fuel	1	77427	Shutter-choke	1
28096	Gasket-cover	1	68525	Screw-cover	1	63657	Screw-idle adj	1	A- 77429	Nozzle-main	1
28822	Ring-retaining	2	68528	Cover-strainer	1	63684	Spring-adj. screw	1	77430	Shutter-throttle	1
30818	Plug	1	68527	Screen-fuel	1	A- 63686	Handle-throttle	1	FASTENING PARTS		
66036	Washer	1	68529	Gasket	1	63692	Cover-diaphragm	1	60008-1	4-38 x 1/4	1
66280	Sleeve-insulating	1	68536	Needle-main	1	63694	Spring-pump	1	60087	5/16-18 x 1 1/2	2
66291-C	Oil-gear	1	68547-3	Spider-clutch	1	A- 63696	Pump	1	60181-3	1/4-20 x 7/8	2
66316	Screw	8	68680	Needle	1	63687	Shaft & Lever	1	60218-1	1/4-20 x 3/4	2
66344	Gasket	1	68768	Pawl-starter	2	63688	Shaft & Lever	1	60308	5/16-18 x 1	1
A- 66373-A	Terminal	1	68768-1	Spring	2	63715	Deflector	1	60345	10-32 x 5/8	2
66551-2	Plate	1	68763	Washer	1	A- 63717-A	Cap-oil filler	2	60568	8-32 x 7/8	3
66562-1	Pin	1	68906	Rope-starter	1	63718	Valve-check	2	60591	4-40 x 1/4	1
A- 66591	Plate-adjusting	1	68881	Washer	2	63728	Filter Element	1	60596	10-24 x 1/2	1
66593-3	Sprocket	1	68929	Bushing	2	63733-2	Shield-muffler	1	60602	1/4-20 x 5/8	3
66680	Line-fuel	1	68930	Stop-rod	1	63735	Cap-spark plug	1	60648	10-32 x 1/2	1
66733	Tab-ground	1	69022	Spring	2	A- 63736-1	Shield-cylinder	1	60658	4-40 x 3/16	8
66747	Lever	1	69054	Bushing-rod	2	A- 63778	Guard-chain	1	60680	10-24 x 7/8	2
66761	Gasket	1	69074	"O" Ring	2	A- 63828	Manifold-intake	1	60676	12-24 x 5/8	3
A- 66762	Pin-inlet lever	1	69084-1	Housing-fan	1	63856-A	Screw-shoulder	3	60688	5/16-18 x 3 1/4	1
66805	Flexible Line	1	A- 68228	Nut-cover	1	64048-A	Lock	1	60637	12-24 x 3/8	5
66837	Grip-ropo	1	69230-1	Cover-air	1	64060-1	Pulley	1	60684	12-24 x 1	5
66846	Gasket-spacer	1	69250	Gear-idler	1	64062	Shield-saw dust	1	60687	12-24 x 3/4	30
66878-2	Gasket	1	A- 69251	Filter Assembly	1	64053-A	Rotor-magneto	1	60888-1	10-32 x 3/8	5
66879	Cover	1	69253	Filter	1	64064	Stud-shoulder	2	60882	1/4-20 x 1/2	2
66880	Clip-cover	1	69259-1A	Post-idler gear	1	64102-A	Screw-cam	1	60691	12-24 x 1/4	2
66882	Nut-terminal hex	1	69268	Body-fuel pump	1	A- 64140-1	Cap-tank	1	60618	4-40 x 1/4	2
66883	Washer	1	69278-1	Gear-driven	1	64144	Decal-caution	1	61013-1	Nut-1/4-20	2
66884	Wiper	1	69277-A	Shaft-sprocket	1	A- 64178-3	Cover-starter	1	61053	Nut-1/4-20	2
66886-A	Coil	1	69283	Spring	1	64180-A	Spring-rewind	1	61088-2	Nut-3/8-16	2
66887	Condenser	1	69298-1	Gear-driven	1	A- 64293	Filter-oil	2	61101	Nut-1/2-20	1
69014	Clamp-lead	1	69338	Rod-throttle	1	A- 64351	Crankshaft	1	61104	Nut-7/16-20	1
69074	Washer-inner	1	69532	Elbow-oil line	1	64367	Cam-pump	1	61123	Nut-6/16-18	1
69076-1A	Key-sprocket	2	69691	Screw-pivot	1	64408	Cap-muffler	1	61192	Nut-3/8-24	1
69077	Washer-outer	1	69592	Bellcrank	1	64406-2	Shield-muffler	1	62146	8-32 x 5/8	11
69132	Washer-thrust	2	69606	Bearing-needle	1	A- 64410	Body-muffler	1	* 62218	5/16-18 x 2 1/8	1
69256-A	Seal-shaft	2	69627-1	Seat-needle valve	1	A- 64411	Muffler & Shield	1	63000	Washer-no 8	1
69290	Ring-retaining	1	69628	Regd-valve	4	64463	Gasket-cylinder	1	63002	Washer-lock	3
69291	Piston Ring	2	69629	Clamp-read	4	* A- 64464-2	Cap-muffler	1	63003	Washer-6/16	3
69292-A	Seal	1	69631.4	Cover	1	* A- 64465-2	Handle Bar	1	63008-1	Washer-no 4	2
69603	Bearing-sleeve	1	69635-2	Bracket	2	A- 64532	Crankcase	1	63008	Washer-lock	4
69607	Gasket	1	69674	Line-rod	1	64607	Plug-button	1	63018	Washer-lock	2
69656	Plate-guide bar	1	69687-3	Cover-fuel tank	1	A- 64779	Needle & Seat	1	63046	Washer-lock	3
69887-A	Plate-guide bar	1	69697	Spacer-sprocket	1	65368	Gasket	1	63061	Washer-lock	2
67289-1	Button-rod	1	69736	Gasket	1	65367-1	Washer-tab lock	1	64047	Washer-flar	1
A- 67850-3	Switch	1	69765	"O" Ring	1	65380-2	Screen	1	65125	Rivet	3
67729	Diaphragm	1	* A- 69827-2	Body-muffler	1	A- 65571	Cylinder	1	66301	Pin-coiter	1
67744	Box-breaker	1	A- 69845	Connecting Rod	1	65711	Shield-Spring	1	66324	Pin-potter	1
67749	Screw Group	1	69978-1	Baffle-muffler	1	65712	Shield-outer	1			
67780	Screw Group	1	69982-B	Stud-muffler	3	66830	Bushing	1			
67768-A	Nut-idler gear	1	A- 63071-D	Piston & Pin	1	67136	Cup-starter	1			
67824	Gasket	1	63084-A	Worm-gear	1	67177	Bushing	1			
67829	Diaphragm	1	A- 63082	Pump-auto oiler	1	67441	Spring-clutch	2			

* Denotes new parts



E11740Z

