

Homelite®

GB PARTS LIST

F LISTE DE PIÈCES

D TEILELISTE

I ELENCO DELLE PARTI

E LISTA DE PIEZAS

180	(CANADA)	UT10727-C
192		UT10729-D
		UT10751
200		UT10690-E
		UT10719-E
		UT10723-D
SUPER 2 SL		UT10701-D
XL		UT10694-D
		UT10753,-1
		UT10754
		UT10722-E
SUPER 2		UT10696-E, E1
		UT10697-E
Little Red		UT10740-B
		UT10741-A, B
		UT10748-B, C

GB IF YOUR UNIT IS NOT LISTED ABOVE, SEE CHART ON PAGE 2 TO FIND PARTS LIST NUMBER FOR YOUR UNIT.

F SI VOTRE PRODUIT (UNITÉ, ARTICLE) NE FIGURE PAS SUR LA LISTE CI-DESSUS, REPORTEZ-VOUS À LA PAGE 2 POUR LE NUMÉRO DE LA LISTE DES PIÈCES CORRESPONDANT.

D FALLS IHR GERÄT AUF VORSTEHENDER LISTE NICHT AUFGEFÜHRT IST, SUCHEN SIE IN DER TABELLE AUF SEITE 2 NACH DER ERSATZTEILLISTENNUMMER FÜR IHR GERÄT.

I SE LA VOSTRA UNITÀ NON SI TROVA FRA QUELLE SOPRA ELENGATE, VEDERE LA TABELLA A PAGINA 2 PER TROVARE IL NUMERO DI CATALOGO DELLA VOSTRA UNITÀ.

E SI SU UNIDAD NO FIGURA EN LA LISTA ANTERIOR, CONSULTE LA TABLA DE LA PAGINA 2 PARA ENCONTRAR LOS NUMEROS DE LAS PARTES PARA LA MISMA.

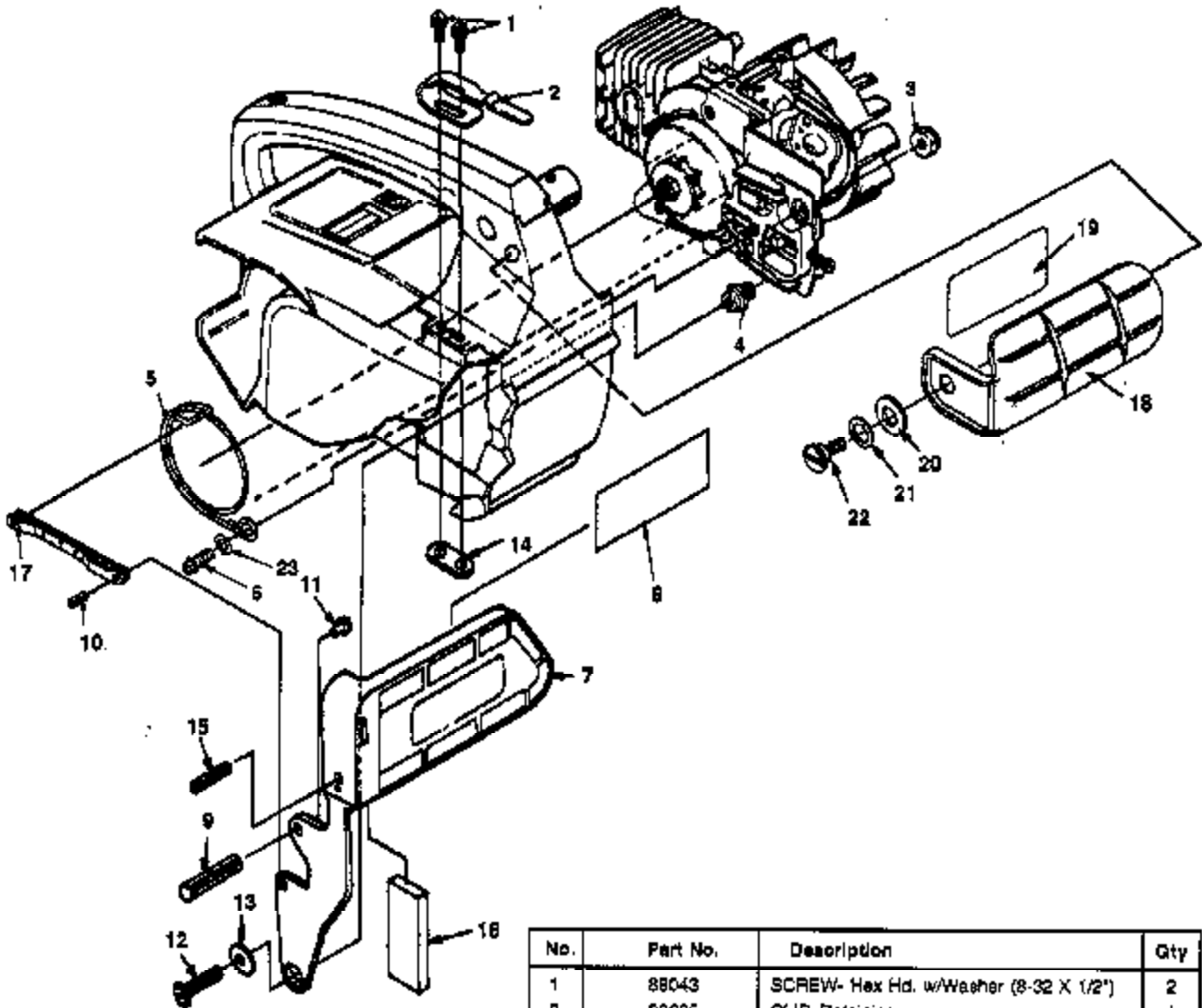
Printed in U.S.A.
Imprimé aux. E.-U.
Gedruckt in U.S.A.
Stampato negli Stati Uniti
Impreso en EE. UU.
P/N PS01538

<input type="checkbox"/>	PARTS LIST
<input type="checkbox"/>	LISTE DE PIÈCES
<input type="checkbox"/>	TEILELISTE
<input type="checkbox"/>	ELENCO DELLE PARTI
<input type="checkbox"/>	LISTA DE PIEZAS

	UT#	18886	18548	18883-1
180	10720			X
	10720-A, B, C, D	X		
	10721			X
	10721-A, B	X		
	10727, A, B	X		
192	10729, A, B, C	X		
200	10690		X	
	10690-A, B, C, D	X		
	10699		X	
	10699-A, B, C, D	X		
	10719		X	
	10719-A, B, C, D	X		
	10723		X	
	10723-A, B, C	X		
Super 2 SL	10701		X	
	10701-A, B, C	X		
	10728	X		
XL	10694			X
	10694-A, B, C	X		
	10695			X
	10695-1	X		
	10695-A, B	X		
	10722			X
	10722-A, B, C	X		
	10754		X	
Super 2	10696			X
	10696-A, B, C, D	X		
	10696-1, A1, B1, C1	X		
	10697			X
	10697-A, B, C, D	X		
Little Red	10740, A	X		
	10741	X		
	10748, A	X		

12/4/98

HANDGUARD



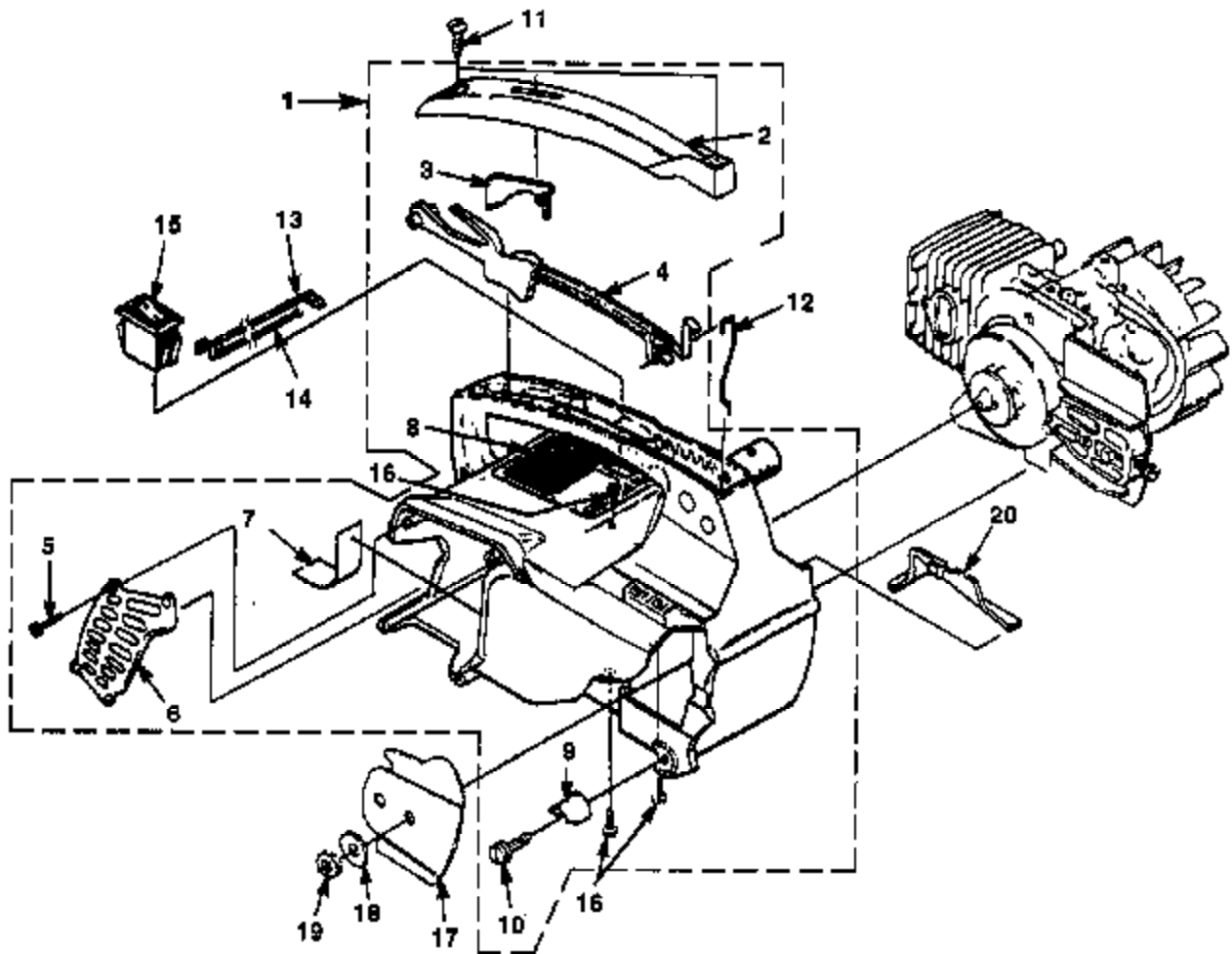
Item No.	Torque Specs		Required Loc/lt
	Int./Lbs	Nm	
1	25-30	2.8-3.4	
5	55-65	6.3-7.6	
12	40-60	4.8-5.7	
22	40-50	4.8-5.7	

Warranty Flat Rate		
Job	Description	Time/Hr.
FD10 ...	SL Chain Brake	0.3

No.	Part No.	Description	Qty
1	88043	SCREW- Hex Hd. w/Washer (8-32 X 1/2")	2
2	02635	CLIP- Retaining	1
3	81124 A	NUT- Hex, Jam	1
4	70696	POST- Chain Brake	1
5	70637 C	BAND- Brake	1
6	82538	SCREW- Thread Form (10-24 x 3/4")	1
7	* A 03081 A	HANDGUARD & LEVER (200, Super 2 6L)	1
8	02861	DECAL- Safety	1
9	JA 48138 3	PIN- Roll (3/16 X 1")	1
10	96995 A	PIN- Roll	1
11	82967	SCREW- Drive	1
12	82188	SCREW- Machine, Pan Hd. (10-32 X 1/2")	1
13	70632	WASHER- Flat	1
14	02537	NUT- Weld	1
15	JA 48136 1	PIN- Roll	1
16	07587	WEIGHT- Handle (International Only)	1
17	A 70787	PIVOT- Link	1
18	* A 70798 C	HANDGUARD KIT (Super 2, XL, 180 & 192)	1
19	02861	DECAL- Handguard	1
20	96684	WASHER- Curve Spring	1
21	96102	WASHER- Flat	1
22	95714	SCREW- Shoulder	1
23	84008	WASHER- Flat (#10)	1

12/4/98

ENGINE HOUSING



No.	Part No.	Description	Qty
1	A 07553	ENGINE HOUSING KIT	
2	02486	COVER- Handle	1
3	02483	LOCK- Trigger	1
4	02482 A	TRIGGER	1
5	82528	SCREW-Pan, plastic(#6 X 3/8")	4
6	02766	SHIELD- Muffler	1
7	95615	TAPE	2
8	02508	DECAL- Warning	1
9	95212	STOP- Chain	1
10	82563	SCREW- Torx, plastic (#10 X 3/4")	1

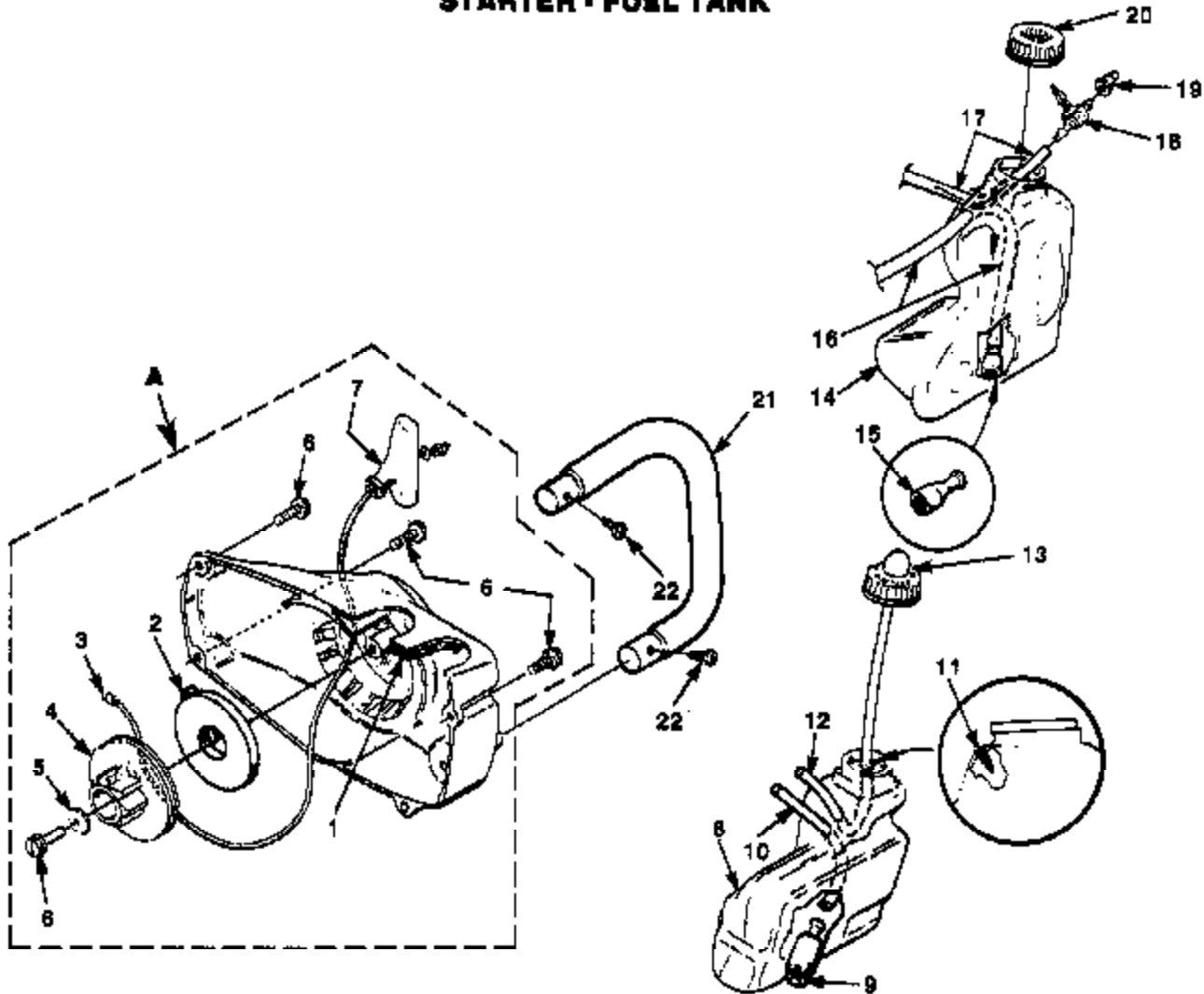
No.	Part No.	Description	Qty
11	84065	SCREW- Pan, plastic (#10-16 X 3/4")	2
12	02501	ROD- Throttle	1
13	A 02482	LEAD- w/Flag Term.	1
14	A 02484	LEAD- w/Ring Term.	1
16	02487	SWITCH	1
16	82588	SCREW- Torx, plastic (10-24 X 3/4")	4
17	04440	PLATE- Guide Bar	1
18	68309 A	WASHER- Flat	1
18	81066 2	NUT- Hex	1
20	02481 A	COVER-AIR Filter	1

Item No.	Torque Spec		Required Lubric
	in/Lbs	Nm	
5	8-12	9-1.4	
10	30-50	3.4-5.8	
11	15-20	1.7-2.3	
18	65-65	6.3-7.5	

Job	Description	Warranty Flat Rate	
		Rate	Time/Hr.
FD12	Engine Housing		0.6
FA17	Ignition Switch		0.3
FF13	Throttle/Rod/Trigger		0.3
FK10	Guide Bar, Shim, Adj.		0.3
FA12	Ground Strap/Lead		0.3

12/4/98

STARTER - FUEL TANK



No.	Part No.	Description	Qty
▲	A 08288 A	STARTER ASSY., Complete	1
1	69443	FILTER	1
2	A 97908	SPRING & CONTAINER	1
3	97689 D1	ROPE- Starter (46')	1
4	98052 A	ROPE- Starter (250 Ft. Reel)	1
5	97786 B	PULLEY- Starter	1
6	94082	WASHER- Retaining	1
7	82563	SCREW- Torx (#10 X 3/4")	5
8	02284	GRIP- Starter	1
9	A 08272	FUEL TANK	1
10	49422	FILTER- Fuel	1
11	07454 22	LINE- Fuel (5 1/2")	1
12	98819	VALVE- Duck Bill	1
	07454 25	TUBING- Return (6 1/4")	1
	07454 99	TUBING- Rubber (10 Ft. Length)	1

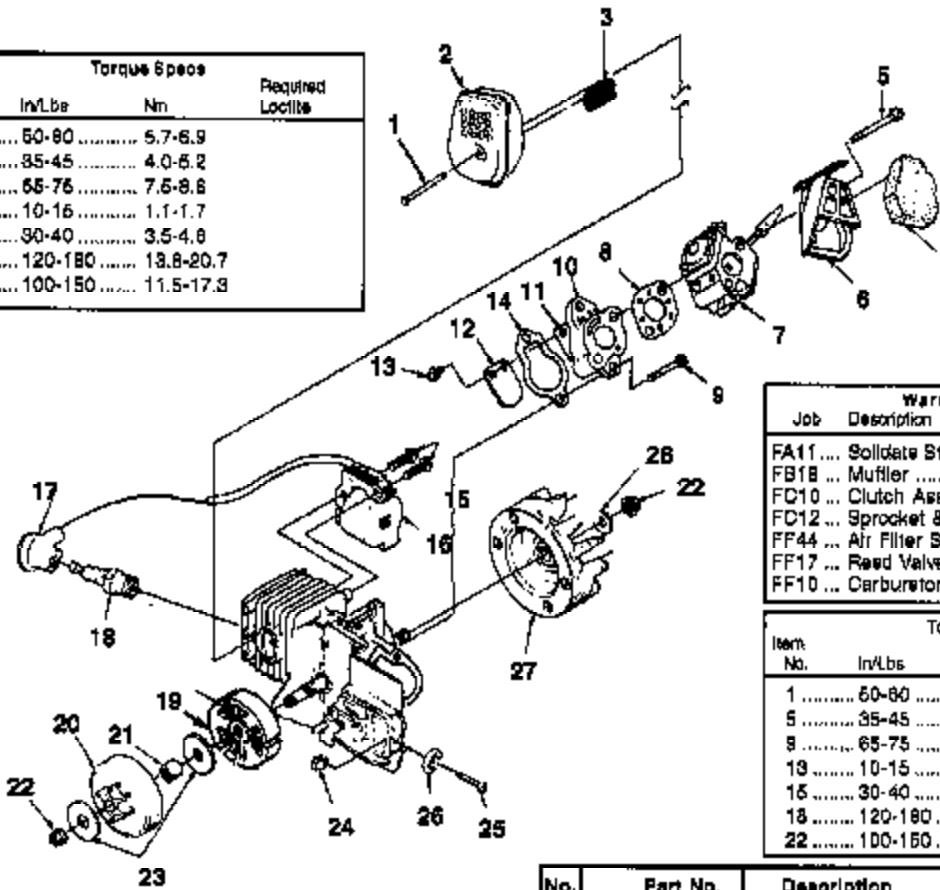
No.	Part No.	Description	Qty
13	A 01372 A	PRIMER & CAP	1
14	A 07554	OIL TANK	1
15	A 88593	FINDER- Oil	1
16	07454 32	TUBING- Rubber (8")	1
17	07454 20	TUBING- Rubber (6")	1
18	A 07508	FITTING- Vent	1
19	98841	VALVE- Check	1
20	A 97359 A	OIL CAP	1
21	A 07558	HANDLE BAR	1
22	94085	SCREW- Pan Plastic (#10-16 X 3/4")	2

Torque Specs			
Item No.	in/Lbs	Nm	Required Location
6	30-50	3.4-5.8	
22	15-20	1.7-2.3	

Warranty Flat Rate		
Job	Description	Time Hr.
FD20	Handle Bar Assy	0.3
FG10	Starter Assy	0.3
FF12	Fuel Line	0.4
FF18	Fuel Tank	0.6
FE12	Oil Lines	0.4
FE14	Oil Tank	0.5
FF14	Primer Bulb	0.3

IGNITION-ROTOR-CARBURETOR-CLUTCH

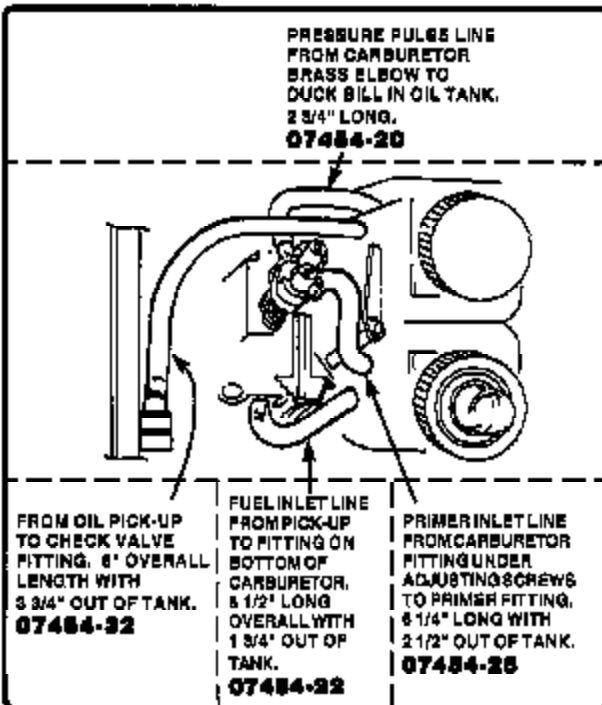
Item No.	Torque Specs		Required Locite
	In/Lbs	Nm	
1	50-80	5.7-6.9	
5	35-45	4.0-5.2	
8	65-76	7.5-8.6	
13	10-16	1.1-1.7	
15	30-40	3.5-4.8	
18	120-180	13.8-20.7	
22	100-150	11.5-17.3	



Job	Description	Warranty Flat Rate	Time/Hr.
FA11	Solidate State Module	0.3	
FB18	Muffler	0.3	
FC10	Clutch Assy	0.6	
FD12	Sprocket & Bearings	0.6	
FF44	Air Filter System	0.2	
FF17	Reed Valve/Manifold	0.7	
FF10	Carburetor Replace	0.5	

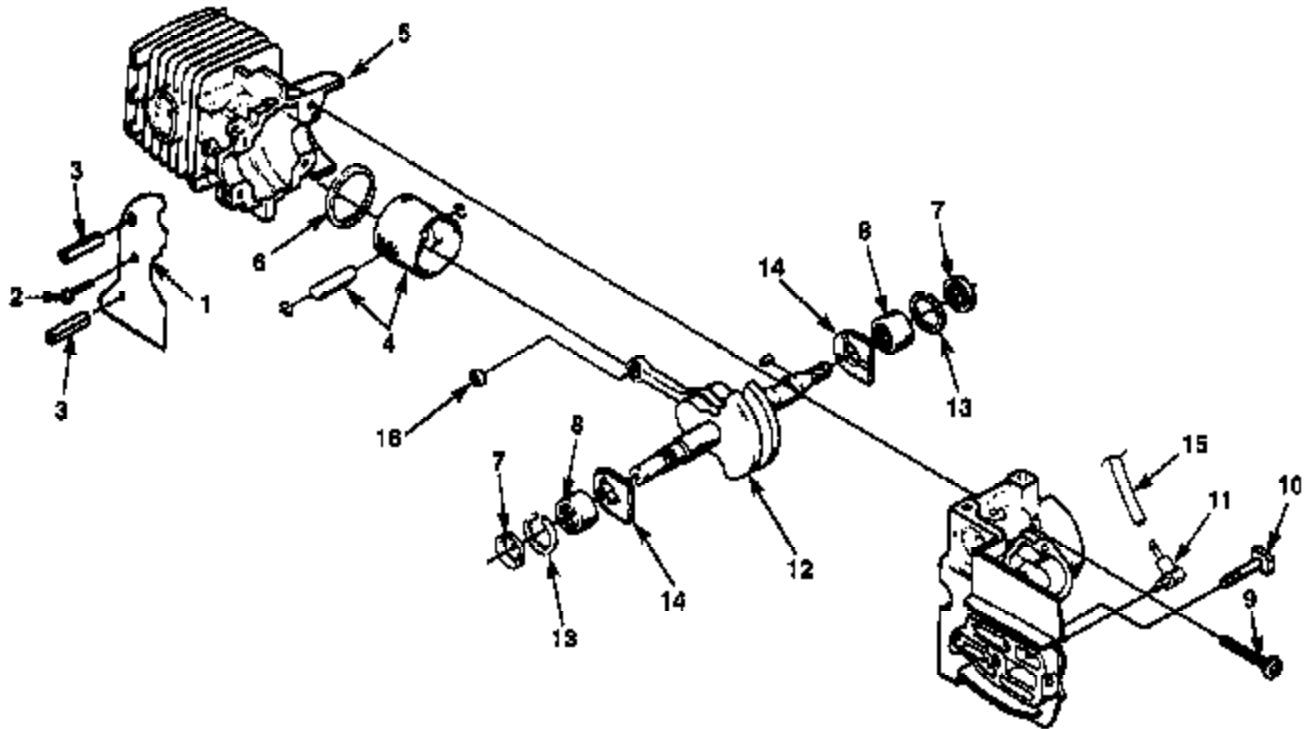
Item No.	Torque Specs		Required Locite
	In/Lbs	Nm	
1	50-80	6.7-6.9	
5	35-45	4.0-5.2	
8	65-75	7.5-8.6	
13	10-15	1.1-1.7	
15	30-40	3.5-4.8	
18	120-180	13.8-20.7	
22	100-150	11.5-17.3	

No.	Part No.	Description	Qty
1	93460	SCREW-Machine Hex Serris (#8-32 X 3/4")	1
2	A 02459	MUFFLER	1
3	02455	SCREEN-Spark Arrestor	1
4	02500	FILTER-Air	1
5	00167	SCREW-Thread Forming	2
6	02491 A	BOX-Air Filter	1
7	A 01379 B	CARBURETOR (Zama)	1
8	02488	GASKET-Carburetor	1
9	82588	SCREW-Plasfite, (10-14 X 1")	2
10	* A 02489	HEAT DAM	1
11	95883	REED	1
12	03205	STOP-Reed	1
13	82498	SCREW-Hex Tapfite (4-40 X 3/8")	2
14	02453	GASKET- Intake Manifold	1
15	82540	SCREW-Thread Forming (8-32 X 1")	2
16	* 94711 CS	MODULE-Ignition	1
17	A 33055	TERMINAL	1
18	98169 S	SPARK PLUG (Champion DJ7Y)	1
	78252	SPARK PLUG (Champion RDJ7Y)	1
19	A 97921 A	CLUTCH KIT	3
20	* A 95653 E	SPROCKET & DRUM	1
21	70277	BEARING	1
22	61229 A	NUT-Rotor (5/16-24)	2
23	95289	WASHER-Thrust	2
24	69254 2	PIN-Adjusting	1
25	* A 00440	SCREW & E-RING KIT	1
26	83574	E-RING	1
27	A 04158 S	ROTOR & STARTER PAWL	1
28	84065	WASHER- (5/16")	1



12/4/98

ENGINE INTERNAL



No.	Part No.	Description	Qty
1	02639	SAW DUST SHIELD	1
2	93932	SCREW- Tepping (#6-32 x 5/16")	1
3	70763	PIN- Roll (5/32 x 1 1/8") (Brake Model Only)	2
	• A 00132 1A	SHORT BLOCK (XL, [180 Canada])	1
	• UP 00068	SHORT BLOCK (XL, [180 Canada])**	1
4	A 04380	PISTON & PIN ASSY.	1
5	02485-5	CYLINDER	1
	UP 00089	CYLINDER **	1
6	63186	RING- Piston	1
7	07025	SEAL- Shaft	2
8	12530	BEARING- Needle	2
9	82567	SCREW- Torx Pan Hd. (10-24 x 1 1/8")	4
10	69195	BOLT- Guide Bar	1
11	07510	VALVE- Check	1
12	A 04802	CRANKSHAFT- Rod and Bearing	1
13	07025	SEAL - Shaft	2
14	03962	WASHER- Thrust	2

No.	Part No.	Description	Qty
1	02639	SAW DUST SHIELD	1
	• A 01105 A	SHORT BLOCK (192, Super 2, 200, Super 2 SL)	1
	• UP 00070	SHORT BLOCK (192, Super 2, 200, Super 2 SL) **	1
4	A 96967 A	PISTON & PIN ASSY.	1
5	04328 A	CYLINDER	1
	UP 00071	CYLINDER **	1
6	63185	RING- Piston	1
7	07025	SEAL- Shaft	2
8	12530	BEARING- Needle	2
9	82567	SCREW- Torx Pan Hd. (10-24 x 1 1/8")	4
10	69195	BOLT- Guide Bar	1
11	07510	VALVE- Check	1
12	A 97511 A	CRANKSHAFT- Rod and Bearing	1
13	07025	SEAL z- Shaft	2
14	03962	WASHER- Thrust	2
15	07454 32	TUBING- Rubber (Oil Line) (8")	1
	07454 99	TUBING- Rubber (Oil Line) (10")	1
16	02035	BEARING- Wrist Pin	1

** After Serial Number HR0010001

Item No.	Torque Specs		Required Locs
	(in/Lbs)	Nm	
2	18-24	2.0-2.8	
9	65-75	7.5-8.8	

Warranty Flat Rate		
Job	Description	Time/Hr.
FB20	... Short block	1.0
FB16	... C/Case Seal (per side)	0.4
FK11	... Guide Bar Studs	0.5

ACCESSORIES

<p>SAFE T TIP (Standard) A-70776-B GREASE-Multi Purpose 1B453 Graisse universelle Mehrzweck-Schmiermittel Grasso, multiuso Grasa de uso general</p>	<p>GUIDE BAR Guide barre Schwert Lama Barra Guía</p>	<p>CHAIN Chaîne Kette Cadena Cadena</p>
<p>KIT-Repair (sprocket nose bar) A-70239-E Jeu de réparation (lame à nez à pignon) Reparaturatz (Kettenrad-Nasenapfel) Kit per riparazioni (denta punta lama) Juego de reparación (extremo barra rueda dentada)</p>	<p>HT-10001-O4 HT-12001-O4 PT-12371-O4 PT-14371-O4 PT-16371-O4 PT-18371-O4</p>	<p>HI-N7242-AH (35-MD50-42) HI-N7248-BH (35-MD50-48) HI-N7248-BH (35-MD50-48) HI-N7253-AH (35-MD50-53) HI-N7259-AH (35-MD50-53) HI-N7264-AH (35-MD50-54)</p>
<p>TOOLS OUTILS WERKZEUGE ATTREZZI HERAMIENTAS</p>	<p>IGNITION TEST SPARK PLUG JA 31318 4 Testeur d'allumage Testzündkerze für Zündprüfung Candela di collaudo Bujía para probar el encendido</p>	
<p>WRENCH (combination) D-24814-B Clé combiné Schraubenschlüssel Kombination Chiave combinata Llave combinada</p>	<p>SHIM (0.015" AIR GAP) 22486 Cale (écart de 0,38 mm) Distanzschleibe (0,38 mm Luftspalt) Spessore (spinterometro 0,38 mm) Suplemento (espacio de 0,38 mm)</p>	
<p>SILASTIC (crankcase sealing) P524823 Silastic (étanchéité du carter) Silastic (Kubelgehäuse Dichtung) Silastic (sigillo di tenuta del carter) Silastic (sello del carter)</p>	<p>T25 TORX DRIVE BIT 24882-01 Foret torx T-25 T-25 Torx-Antriebsbit Punta Torx Drive T-25 Broca de empuje T-25 Torx</p>	
<p>PULLER-Magneto Rotor A-24747-A Extracteur, rotor magnéto Abziehwerkzeug-Magnetrotor Rotore d'estrazione a magneto Extractor-rotor de magneto</p>	<p>T27 TORX DRIVE BIT 10568-01 Foret torx T-27 T-27 Torx-Antriebsbit Punta Torx Drive T-27 Broca de empuje T-27 Torx</p>	

CUSTOMER ASSISTANCE
 FOR THE LOCATION OF YOUR
 NEAREST HOMELITE SERVICING DEALER IN THE UNITED STATES, PUERTO RICO, AND THE VIRGIN ISLANDS,
CALL: 1-800-242-4672

HEADQUARTERS
John Deere Consumer Products, Inc.
 P. O. BOX 7047
 CHARLOTTE, NC 28241

<p>OVERSEAS OFFICES</p> <p>EUROPE, AFRICA & MIDDLE-EAST Homelite Netherlands B.V. A Deere & Company Affiliate Heverstraat 24 2102 GB Nieuwe Vennep The Netherlands tel: +31-852-987342 / fax: +31-252-987999</p>		<p>CANADIAN OFFICE</p> <p>John Deere Consumer Products Limited Produits consommateurs John Deere Limitée</p> <p>1880-88e/11 Avenue Lachine, Québec, Canada H5T 3J5 1-800-963-6715</p>
<p>FRANCE</p> <p>Homelite Atlantic SARL Groupe Deere & Co. Rue du Parcide - BP 221 - Ormes 46144 Saint-Jean-De-La-Ruelle Cedex, France</p>	<p>AUSTRALIA</p> <p>John Deere Limited A.O.N. 008 671 728 166-170 Magnesium Drive Gosford, Queensland 4102 Australia</p>	

John Deere Consumer Products, Inc.