

# Homelite®

- PARTS LIST**
- LISTE DE PIÈCES**
- TEILELISTE**
- ELENCO DELLE PARTI**
- LISTA DE PIEZAS**

**240** \_\_\_\_\_ UT10625-A, B, C, D  
 UT10630-A, B, C  
 UT10633-A, B

**240 SL** \_\_\_\_\_ UT10635-B, C, D  
 UT10713, A  
 UT10715-A, B, C

**SUPER 240** \_\_\_\_\_ UT10717, A, B, C  
 UT10718, A, B, C

- IF YOUR UNIT IS NOT LISTED ABOVE, SEE CHART ON PAGE 2 TO FIND PARTS LIST NUMBER FOR YOUR UNIT.
- SI VOTRE PRODUIT (UNITÉ, ARTICLE) NE FIGURE PAS SUR LA LISTE CI-DESSUS, REPORTÉZ-VOUS À LA PAGE 2 POUR LE NUMÉRO DE LA LISTE DES PIÈCES CORRESPONDANT.
- FALLS IHR GERÄT AUF VORSTEHENDER LISTE NICHT AUFGEFÜHRT IST, SUCHEN SIE IN DER TABELLE AUF SEITE 2 NACH DER ERSATZTEILELISTENNUMMER FÜR IHR GERÄT.
- SE LA VOSTRA UNITÀ NON SI TROVA NELLA LISTA SOPRA ELENCA, VEDERE LA TABELLA A PAGINA 2 PER TROVARE IL NUMERO DI CATALOGO DELLA VOSTRA UNITÀ.
- SI SU UNIDAD NO FIGURA EN LA LISTA ANTERIOR, CONSULTE LA TABLA DE LA PAGINA 2 PARA ENCONTRAR LOS NUMEROS DE LAS PARTES PARA LA MISMA.

Printed in U.S.A.  
 Imprimé aux E.-U.  
 Gedruckt in U.S.A.  
 Stampato negli Stati Uniti  
 Impreso en EE. UU.  
 P/N 17601-A

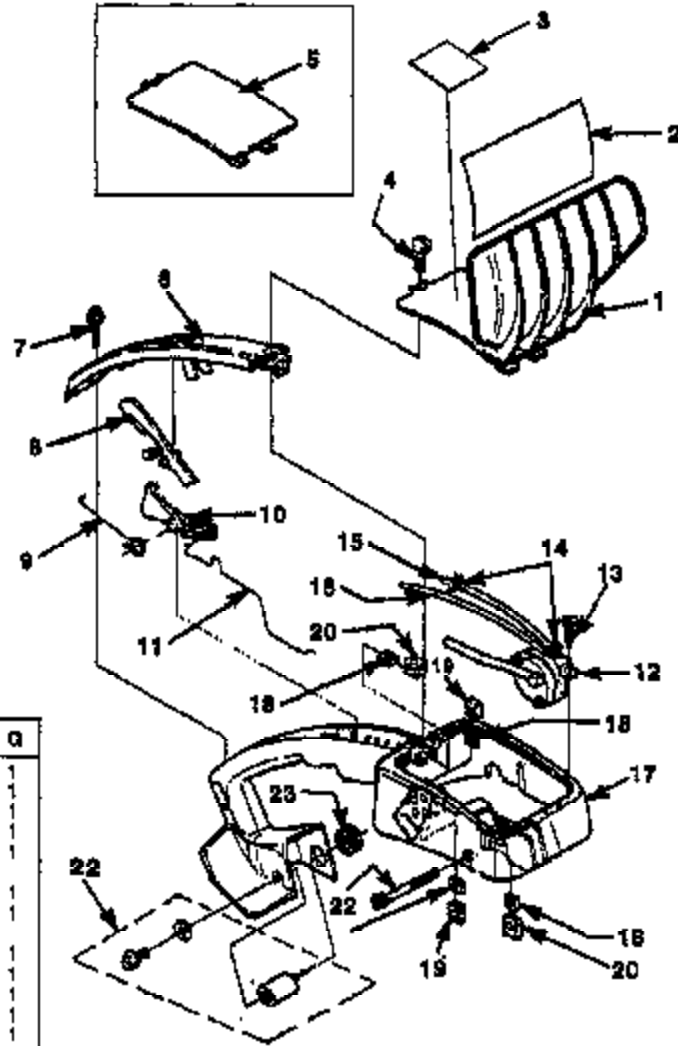
<input type="checkbox"/> B	PARTS LIST
<input type="checkbox"/> F	LISTE DE PIÈCES
<input type="checkbox"/> D	TEILELISTE
<input type="checkbox"/> I	ELENCO DELLE PARTI
<input type="checkbox"/> L	LISTA DE PIEZAS

UT#	Red Border 17601 Revision 1	No Border Rev 1 17601	17601
10588			X
10588-4			X
10589			X
10589-4			X
10621			X
10622			X
10625, A			X
10626			X
10627 (SL)			X
10628		X	
10629		X	
10630	X		
10632 (SL)		X	
10633, A		X	
10634 (SL)		X	
10635 (SL)		X	
10635-A (SL)	X		
10646	X		
10647	X		

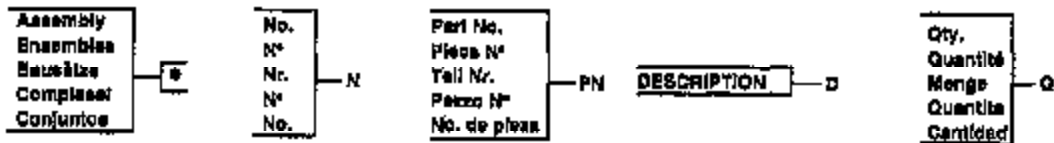
<input type="checkbox"/> B	NOTES
<input type="checkbox"/> F	NOTES
<input type="checkbox"/> D	NOTIZEN
<input type="checkbox"/> I	NOTE
<input type="checkbox"/> L	NOTAS

UT#			

# CARBURETOR CHAMBER / REAR HANDLE 1

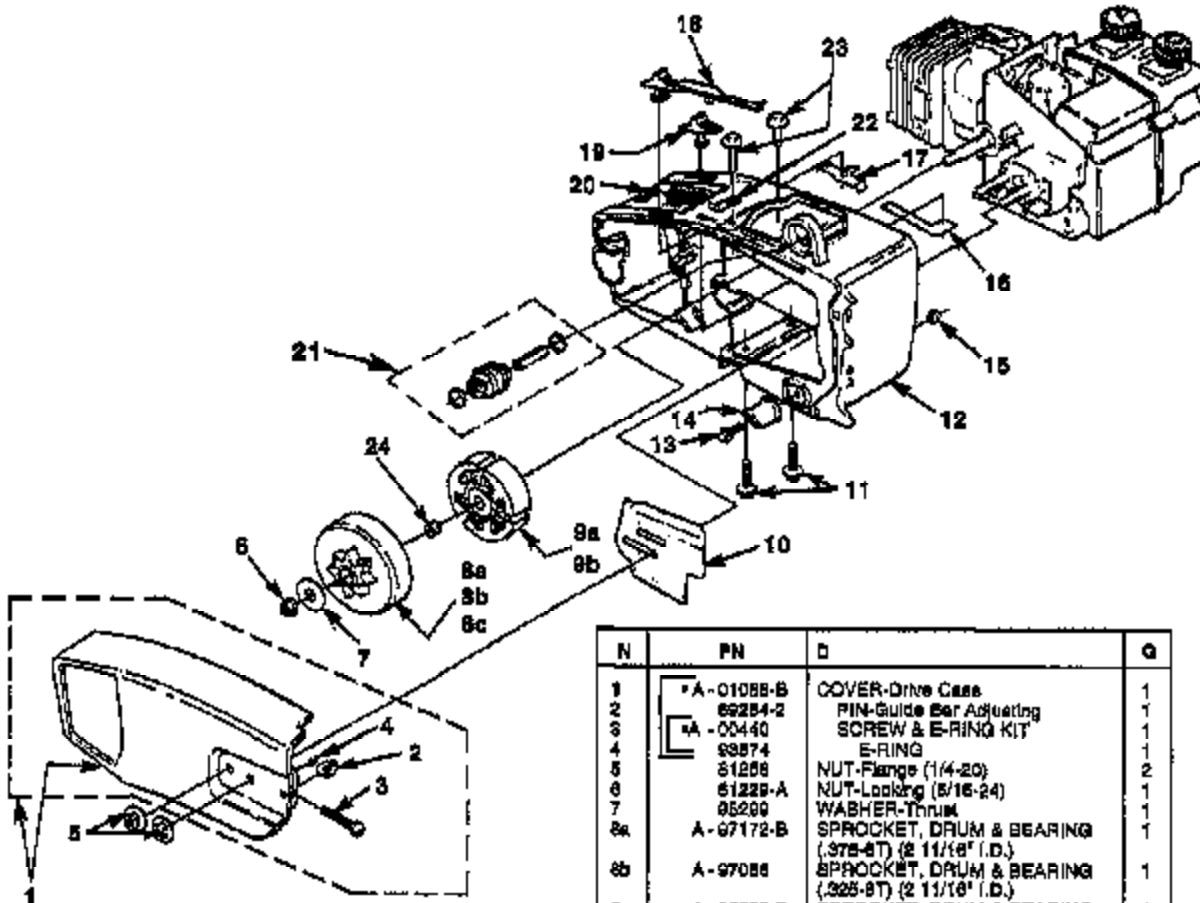


N	PN	D	Q
1	*A-08151	HANDGUARD w/Cover	1
2	85217	SCREW-Retaining	1
3	08691	DECAL-Warning	1
4	08128	DECAL-Warning	1
5	85068	AIR FILTER COVER (UT10715, A; UT10715-A, B, C; UT10836-D)	1
6	85211	COVER-Handle	1
7	82686	SCREW-Thread Form. (10-24 X 3/4")	1
8	95088	INTERLOCK-Trigger	1
9	95922	SPRING-Torsion	1
10	85032	TRIGGER-Throttle	1
11	86038	ROD-Throttle	1
12	A-86538-A	OIL PUMP-Complete	1
13	82912	SCREW-Plastic (#10 X 5/8")	1
14	83428	CLAMP (Oil Outlet Line)	1
15	07454-1B	TUBING-Rubber (4 1/2")	1
16	07454-2B	TUBING-Rubber (5 1/4")	1
17	*A-85485-1	CARBURETOR CHAMBER	1
18	70510	NUT-Square	4
19	95337	RETAINER NUT	2
20	95375	RETAINER NUT	2
21	86818	SCREW-Socket Hd. (10-24 X 1 5/8")	1
22	A-08391	VIBRATION ISOLATOR KIT (See Fig. 2, No. 21)	1
23	86210	GROMMET	1



2

# ENGINE HOUSING - CLUTCH



N	PN	D	Q
1	*A-01088-B	COVER-Drive Case	1
2	69284-2	PIN-Guide Bar Adjusting	1
3	*A-00440	SCREW & E-RING KIT	1
4	93874	E-RING	1
5	81288	NUT-Flange (1/4-20)	2
6	61228-A	NUT-Locking (5/16-24)	1
7	95299	WASHER-Thrust	1
8a	A-67172-B	SPROCKET, DRUM & BEARING (.375-8T) (2 11/16" I.D.)	1
8b	A-97086	SPROCKET, DRUM & BEARING (.325-8T) (2 11/16" I.D.)	1
8c	A-96650-B	SPROCKET, DRUM & BEARING (.375-8T) (2 7/16" I.D.)	1
9a	A-98128	CLUTCH (2 11/16" O.D.)	1
9b	A-67956-1A	CLUTCH (2 7/16" O.D.)	1
10	95390	PLATE-Guide Bar	1
11	68051	SCREW-Hex Sema (10-24 X 3/4")	1
12	*A-86754-B	HOUSING-Engine	1
13	82593	SCREW-Mech. Hex Hd. (10-24 X 5/8")	1
14	95212	STOP-Chain	1
15	81288	NUT-Lock (10-24)	2
16	98091	CONTACT-Stop Switch	1
17	95087	SPRING-Stop Switch	1
18	95060	BUTTON-Choke	1
19	95086-A	BUTTON-Stop Switch	1
20	03154-B	DECAL-Warning	1
21	A-00391	VIBRATION ISOLATOR KIT	1
22	87593	BRACE-Clutch	1
23	88069	SCREW-Hex Sema (10-24 X 5/8")	4
24	70277	BEARING-Clutch & Drum	1

Assembly  
Ensembles  
Baukitze  
Composti  
Conjuntos

No.  
N°  
Nr.  
N°  
No.

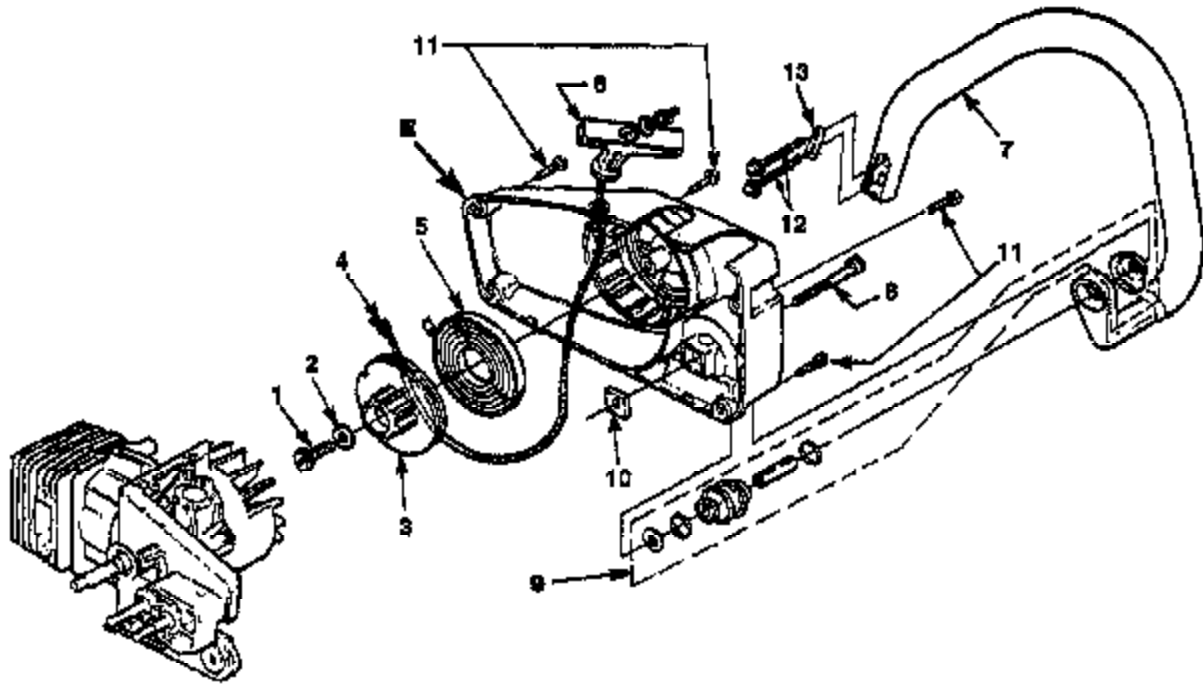
Part No.  
Pieces N°  
Teil Nr.  
Peças N°  
No. de peças

PN DESCRIPTION D

Qty.  
Quantité  
Menge  
Cantidad

# STARTER - FRONT HANDLE

5



N	PN	D	Q
E	A-88005-B	STARTER, Complete	1
1	82563	SCREW- Thread Forming (#10 X 3/4")	1
2	94062	WASHER-Retainer	1
3	87768-B	PULLEY-Start	1
4	87589-01	ROPE-Start	1
5	A-97808	SPRING & CONTAINER	1
6	02284	GRIP-Start	1
7	A-08438	HANDLE BAR KIT	1
8	96818	SCREW-Socket Hd. (10-24 X 5/8")	1
9	A-08391	VIBRATION ISOLATOR KIT (See Fig. 2, No. 21)	1
10	85213	NUT-Square (10-24)	1
11	82563	SCREW-Thread Form. (10-24 X 3/4")	4
12	82218	SCREW-Hex Washer (10-24 X 1 1/8")	2
13	86901	PLATE-Handle Bar	1

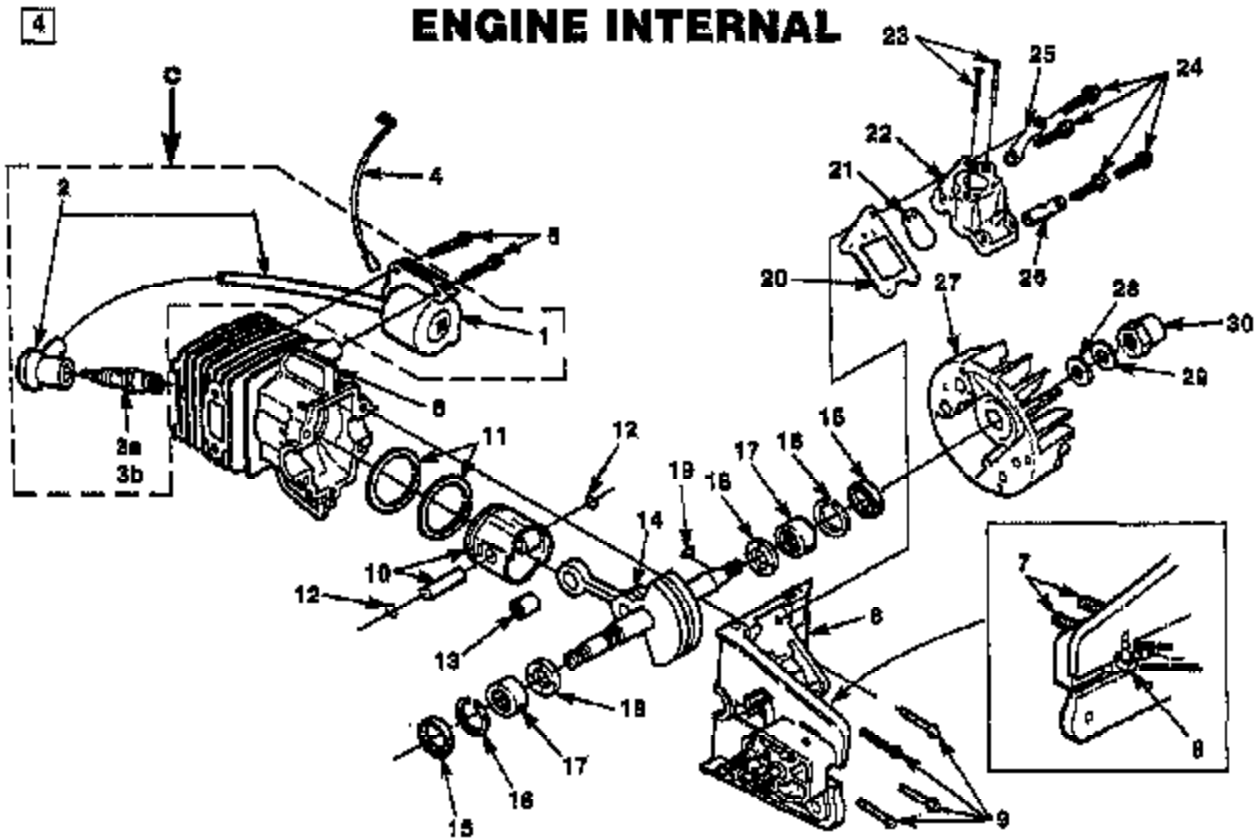
Assembly  
Ensemble  
Bauteile  
Complet  
Conjuntos

No.  
N°  
Nr.  
N°  
No.

Part No.  
Piece N°  
Teil Nr.  
Pezzo N°  
No. de pieza

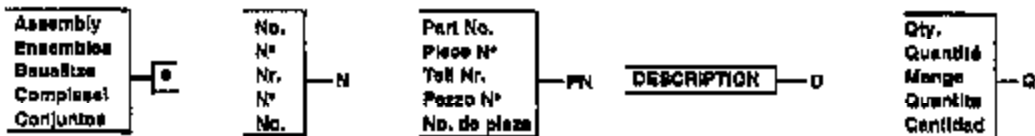
DESCRIPTION D

Qty.  
Quantid  
Menge  
Cantidad  
Cantidad

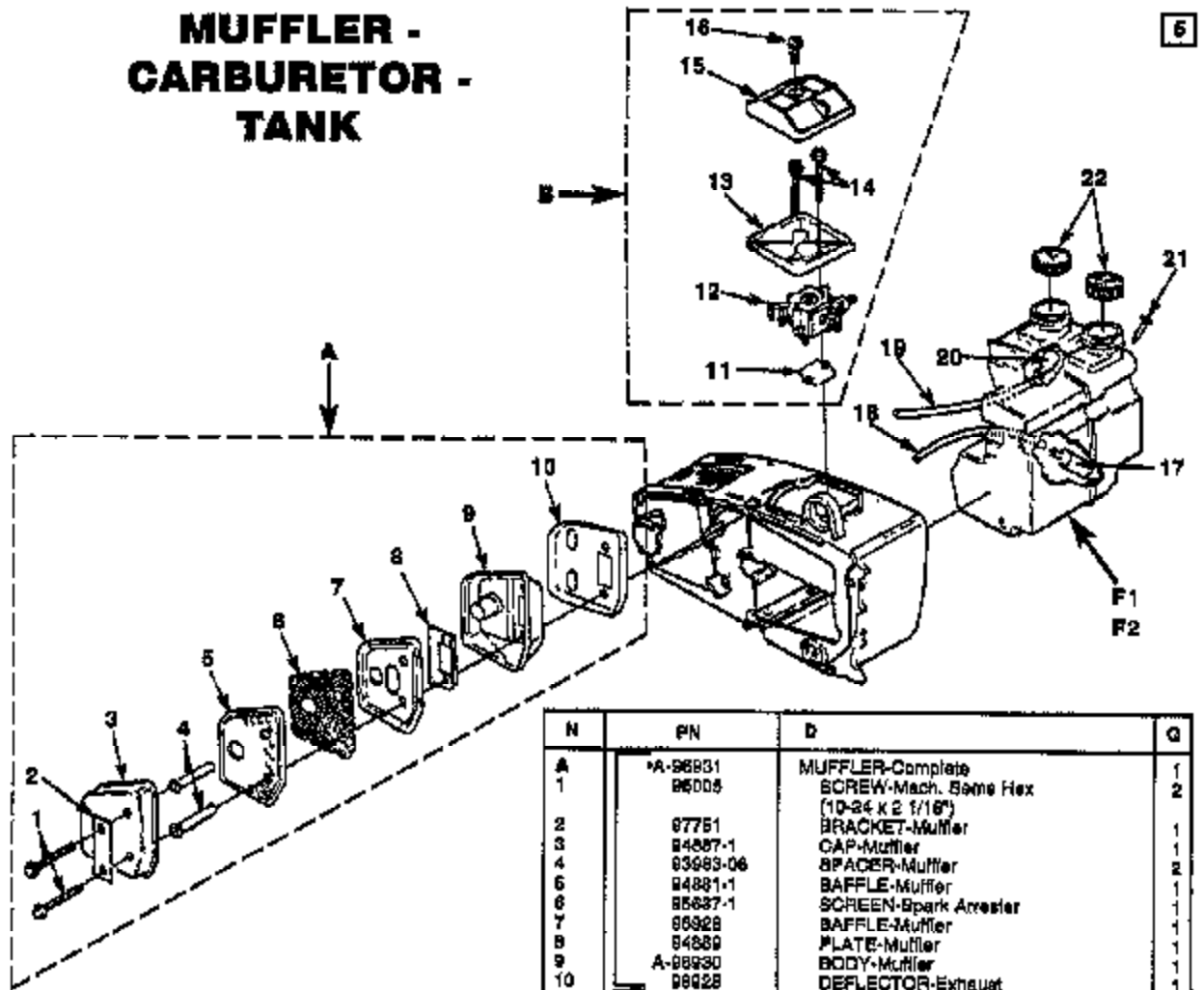


N	PN	D	Q
1	A-04446	IGNITION KIT	1
1	94711-C8	MODULE-Ignition	1
2	A-94754	TERMINAL-High Tension Lead	1
3a	98169-B	SPARK PLUG (GL-7Y)	1
3b	79252	SPARK PLUG (RDJ-7Y)(UT:0713,10715-A)	1
4	A-98378	LEAD-Ground	1
5	82430	SCREW-Machine Hex Hd. (8-32 X 7/8")	2
6	A-98753-A	CRANKCASE & CYLINDER	1
7	98083	BOLT-Guide Bar	2
8	53858	FITTING-Tube	1
9	98824	SCREW-Berns Hex Hd. (10-24 X 1 1/8")	4
10	A-98751-A	PISTON & PIN	1
11	94918	PISTON RING	2
12	85261	RING-Retaining	2
13	97126	BEARING-Needle (After Lot #E229)	1
14	A-98752-A	CRANKSHAFT	1
14	98439	BEARING-Needle (Prior to Lot#E329)	1
15	07025	BEAL-Shaft	2
16	89514	RING-Retaining	2
17	12530	BEARING-Needle	2
18	95492	BEARING-Thrust	2
19	89250	KEY-Woodruff	1
20	94873	GASKET-Manifold	1
21	85883	REED	1

N	PN	D	Q
22	A-08328-A	MANIFOLD-Intake	1
23	82445	SCREW-Plastic (98-16 X 1 3/4")	2
24	82291	SCREW-Hex Washer (8-32 X 5/8")	4
25	98839	WASHER-Intake Manifold	1
26	86240	WASHER-Intake Manifold	1
27	A-04158	ROTOR & STARTER PAWLS	1
28	84066	WASHER-Flat	1
29	89002	WASHER-Lock	1
30	98265	NUT-Guide	1



# MUFFLER - CARBURETOR - TANK



N	PN	D	Q
A	*A-96931	MUFFLER-Complete	1
1	96008	SCREW-Mech. Same Hex (10-24 X 2 1/16")	2
2	97751	BRACKET-Muffler	1
3	94897-1	CAP-Muffler	1
4	93983-06	SPACER-Muffler	2
6	94891-1	BAFFLE-Muffler	1
6	95837-1	SCREEN-Spark Arrestor	1
7	96929	BAFFLE-Muffler	1
8	94889	PLATE-Muffler	1
9	A-96930	BODY-Muffler	1
10	96928	DEFLECTOR-Exhaust	1
B	*A-08498	CARBURETOR KIT	1
11	96022-A	GASKET-Carburetor	1
12a	07240	CARBURETOR-Walbro	1
13	98083	CUP-Filter	1
14	96176	SCREW-Mech. Hex (10-24 X 1 5/8")	2
15	*A-96349	FILTER ELEMENT (Top)	1
16	95217	SCREW-Retaining	1
12b	A-96962-B	CARBURETOR-Zama	1
F1	*A-02970-A	TANK-Fuel & Oil (UT10625-B, C, D; UT10630-A,B,C; UT10633-A,B; UT10635-D; UT10715,C,D; UT10717-A,B,C; UT10718-A,B,C)	1
F2	*A-01182-A	TANK-Fuel & Oil (UT10625-C; UT10713,A; UT10715-A,B)	1
17	49422	FILTER-Fuel	1
18	07454-26	TUBING-Rubber (ø 1/2")	1
19	07454-26	TUBING-Rubber (7")	1
20	A-96928	FILTER-Oil	1
21	96819	VALVE-Duck Bill	2
22	A-97359-A	CAP-Fuel & Oil	2

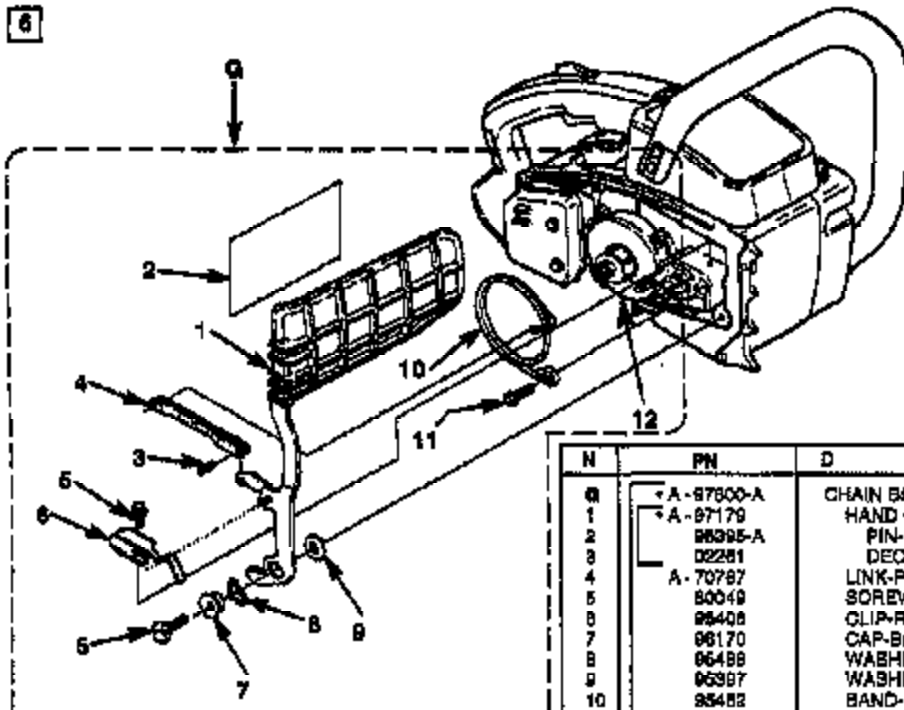
Assembly  
Ensemble  
Bausätze  
Complese  
Conjuntos

No.  
N°  
Nr.  
N°  
No.

Part No.  
Piece N°  
Teil Nr.  
Pezzo N°  
No. de pieza

DESCRIPTION

Qty.  
Cantidad  
Menge  
Quantita  
Cantidad



# CHAIN BREAK

N	PN	D	Q
0	A-87600-A	CHAIN BRAKE KIT	1
1	A-87179	HAND GUARD	1
2	88395-A	PIN-Roll	1
3	02281	DECAL-Warning	1
4	A-70787	LINK-Pivot	1
5	80049	SCREW-Hex Cap (1/4-20 X 5/8")	2
6	88408	CLIP-Retaining	1
7	88170	CAP-Brake Lever	1
8	86488	WASHER-Curved	1
9	86387	WASHER-Thrust	1
10	85482	BAND-Brake	1
11	88082	SCREW-Hex (10-24 X 5/8")	1
12	A-87056	SPROCKET & DRUM	1

## TOOLS & ACCESSORIES

SILASTIC (Crankcase Sealing)	24823	SAFETY-TIP (Standard on units)	DA-70776-C
LOCTITE	28488-C	Includes:	
PULLER-Magneto Rotor	A- 24747-A	SCREW (Special)	80695
Includes:		TUBING-Rubber (10ft)	88201-88
SCREW-Mach. Hex (5/16-18 1/2")	48150	ROPE-Starter (280 ft. #4) (Prior to Lot #G080)	88348
NUT-Hex (5/16-18) 2	81198	ROPE-Starter (280 ft. #2 1/2") (After Lot #G080)	88052-A
WRENCH-Spanner (Clutch)	A- 83791	BUMPER-Spiked	A- 87048
Includes:		Includes:	
PIN-Clutch Spanner	85717-A	SCREW-Mach. Flat (1) (10-24 X 1/2")	88216
WRENCH-Combination	A- 17708	SCREW-Mach. Pan (1) (10-24 X 1/2")	88672
GREASE-Mult-Use	18453	NUT-Locking Hex (2)	81286
TUBING-Rubber (10ft.)	07484-89	IGNITION TEST KIT	QP-20322-B
FASTENER KIT	A- 06439	CARBURETOR TOOL	17789

### CUSTOMER ASSISTANCE

FOR THE LOCATION OF YOUR NEAREST HOMELITE SERVICING DEALER IN THE UNITED STATES, PUERTO RICO, AND THE VIRGIN ISLANDS,

**CALL:**  
1-800-242-4872

### HEADQUARTERS

Homelite, Inc.  
P.O. BOX 7047  
CHARLOTTE, N.C. 28241

### OVERSEAS OFFICES

**NEHERLANDS**  
Homelite Nederlandische B.V.  
A Deere & Company AFMMA  
Hennipend 34  
9183 GE Hilde Veenap  
The Netherlands

**FRANCE**  
Homelite S.A. (Laurie SAS)  
A Deere & Company  
247 9711  
88360 Cergy-Pontoise Cedex  
France

**AUSTRALIA**  
Homelite Pacific Ltd.  
A Deere & Company AFMMA  
ACW 888 432 142  
84 PHURDIE ST SYDNEY  
P.O. BOX 1000 MELB  
Kewfield VIC 3169  
Australia

### CANADIAN OFFICES

Homelite Canada Limited  
Homelite Canada Limitee  
A Deere & Company AFMMA /  
Une Filiale de Deere & Company  
1821-1825 Avenue  
Lacombe, Alberta, Canada T4T 2A7  
7-800-242-4872

Unit 013-116, 280 Stuyvesant  
New Westminster, B.C. T6A 1E7  
1-800-242-4872  
1-800-448-8018  
10-43 Yonge Street, Suite 101  
Etobicoke, Ontario M9W 5A7  
1-800-448-8018

**Homelite**  
A Subsidiary of Deere & Company