

Homelite®

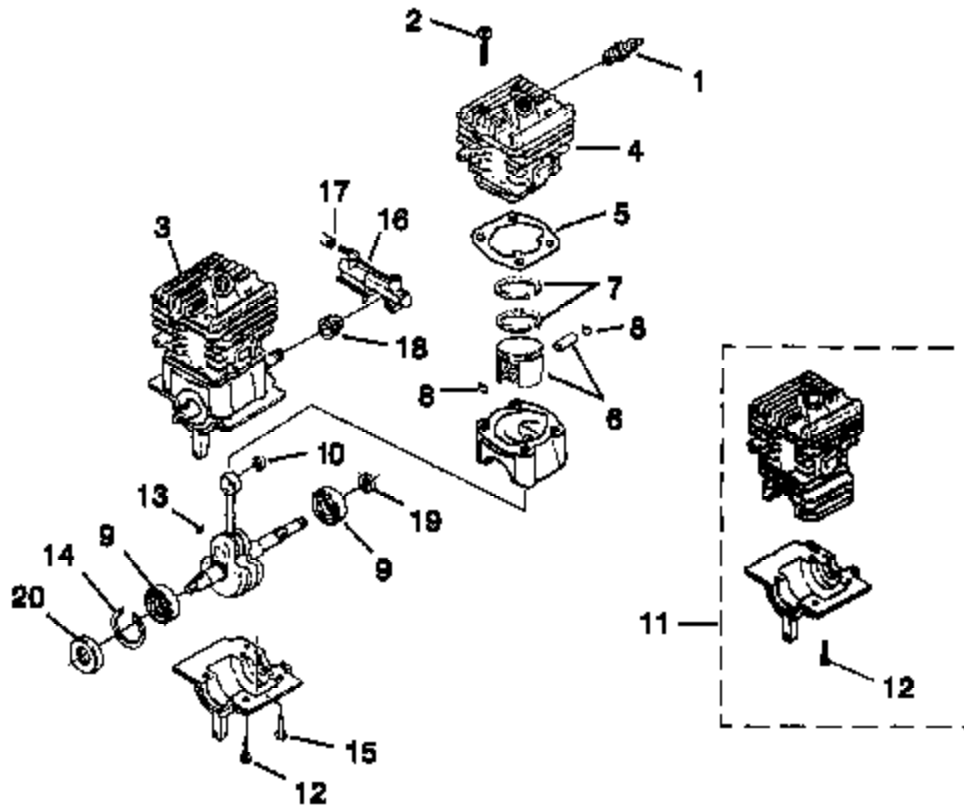
- GB** PARTS LIST
- F** LISTE DE PIÈCES
- D** TEILELISTE
- I** ELENCO DEI PEZZI
- E** LISTA DE PIEZAS

- CS40...** UT10707- B
UT10708- B
UT10760
- CS50...** UT10710- C
UT10711- C
- 250...** UT10689- A
UT10724- D, E
- 300...** UT10687- D, E
UT10700- C, D
UT10725- D, E
- 252...** UT10732- B, C
UT10733- B, C
- CS4018...** UT10736- R
- CS5020...** UT10737- R

Printed in U.S.A.
Imprimé aux. E.-U.
Gedruckt in den U.S.A.
Stampato negli Stati Uniti
Impreso en EE. UU.

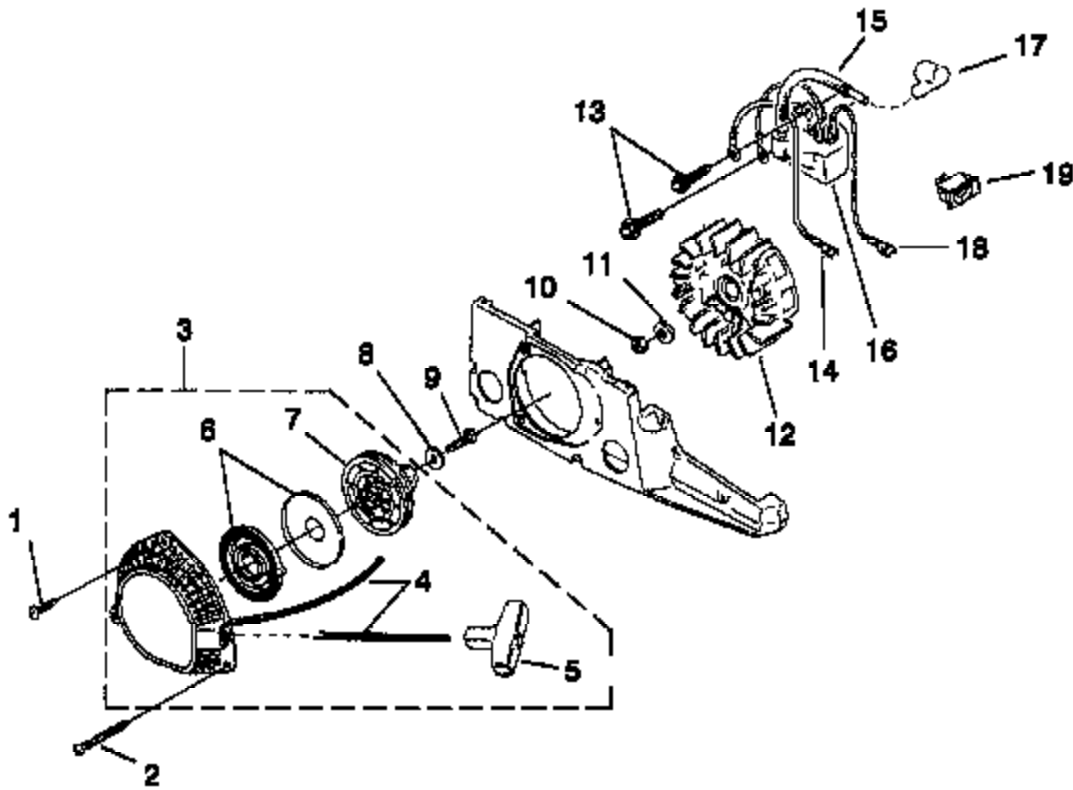
P/N 18962 D

ENGINE INTERNAL



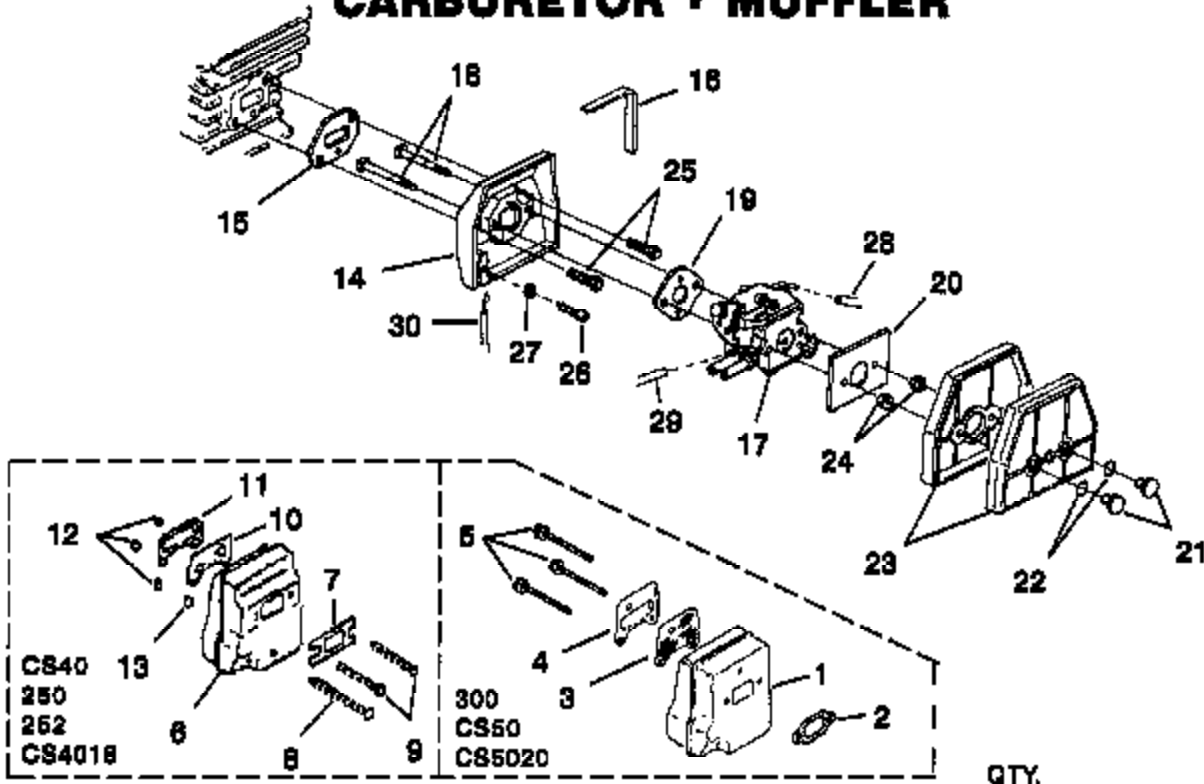
NO.	PART NO.	DESCRIPTION	CS4018	CS4018	CS4018	CS4018	CS4018	CS4018	CS4018
1	93561 S	SPARK PLUG (CJ8Y)	1	1	1	1	1	1	1
	98217 S	SPARK PLUG (RCJ6Y) (INTL.)							
2	62568	SCREW-PAN Hd. (10-24 x .600)					4	4	4
3	A 04511	SHORT BLOCK					1	1	1
	A 01644 D	SHORT BLOCK	1	1	1	1			
4	A 04513	CYLINDER & GASKET					1	1	1
5	02627	GASKET, CYLINDER					1	1	1
6	A 02576 C	PISTON & PIN	1	1	1	1			
7	01545 B	RING, PISTON	2	2	2	2			
8	64813	RING, WRIST PIN RETAIN.	2	2	2	2			
8	A 03301 A	PISTON & PIN					1	1	1
7	02263 A	RING, PISTON					2	2	2
8	64813	RING, WRIST PIN RETAIN.					2	2	2
9	98797	BEARING, BALL	2	2	2	2	2	2	2
10	70277	BEARING, NEEDLE	1	1	1	1	1	1	1
11	A 02577 C	CYLINDER & CRANKCASE	1	1	1	1			
12	80891	SCREW, Hex Hd. (12-24 X 7/8")	4	4	4	4			
13	75078	KEY, WOODRUFF	1	1	1	1	1	1	1
14	28922 1	RETAINING RING	1	1	1	1	1	1	1
15	82146	SCREW, FIL. HD. (8-32 X 5/8")	2	2	2	2	2	2	2
16	A 02802 A	OIL PUMP	1	1	1	1	1	1	1
17	02648	TUBING, OIL (TO GUIDE BAR)	1	1	1	1	1	1	1
18	00229	WORM GEAR, LEFT HAND	1	1	1	1	1	1	1
19	93858	SEAL, CRANKSHAFT	1	1	1	1	1	1	1
20	98197 A	SEAL, SHAFT	1	1	1	1	1	1	1

STARTER - IGNITION



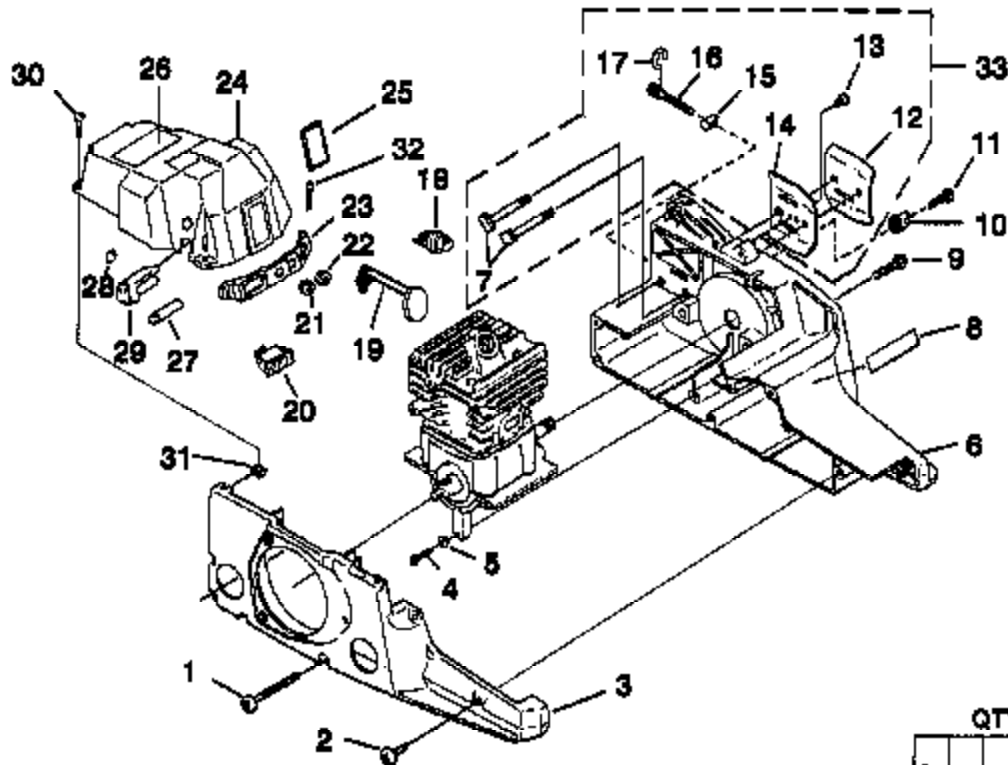
NO.	PART NO.	DESCRIPTION	QTY.				
			CS940	250	250	200	CS940
1	82546	SCREW-Thread Form (8-16 x 5/8")	4	4	4	4	4
2	82544	SCREW-Thread Form (8-16 x 2")	1	1	1		
	82688	SCREW Thread Form (8-16 x 2 1/4)				1	1
3	A 04778 A	STARTER - COMPLETE	1	1	1	1	1
4	97899 01	ROPE, STARTER (46")	1	1	1	1	1
5	02264	GRIP, STARTER	1	1	1	1	1
6	A 97908	SPRING & CONTAINER	1	1	1	1	1
7	97768 B	PULLEY	1	1	1	1	1
8	94062	WASHER	1	1	1	1	1
9	62409	SCREW Plastite(10-14 x 5/8")	1	1	1	1	1
10	81124 A	NUT, JAM (3/8" X 24)	1	1	1	1	1
11	83102	WASHER LOCK (3/8")	1	1	1	1	1
12	A 00994 C	ROTOR & STARTER PAWLS	1	1	1	1	1
13	88052	SCREW, Sems Hex Hd. (10-24 x 7/8")	2	2	2	2	2
14	A 01821 A	IGNITION GROUND WIRE	1	1	1	1	1
15	95098	SLEEVE, Insulating	1	1	1	1	1
16	A 01646	IGNITION MODULE	1	1	1	1	1
17	A 02597	SPARK PLUG BOOT KIT	1	1	1	1	1
18	A 01822 A	IGNITION WIRE	1	1	1	1	1
19	01802	SWITCH	1	1	1	1	1

CARBURETOR - MUFFLER



NO.	PART NO.	DESCRIPTION	QTY.				
			CS40 CS40	250	262	300	CS50 CS50
1	A 06652	MUFFLER - Complete				1	1
2	01729	GASKET- Muffler				1	1
3	01733	SCREEN- Spark Arrestor				1	1
4	01734 B	COVER- Exhaust				1	1
5	88058	SCREW- Sems (10-24)				9	3
6	A 06631 A	MUFFLER - Complete	1	1	1		
7	01543 B	GASKET-Muffler	1	1	1		
8	02178	SCREW- Square Hd. (10-32 x 2 1/2)	1	1	1		
9	02509	SCREW- Square Hd. (10-32 x 2 1/4)	2	2	2		
10	01832	SCREEN- Spark Arrestor	1	1	1		
11	01531 A	COVER- Exhaust	1	1	1		
12	81206	NUT Locking (10-32)	3	3	3		
13	84003	WASHER- Flat (#12)	1	1	1		
14	A 04512	SPACER- Carburetor				1	1
15	04508	GASKET- Carburetor Spacer				1	1
16	03141	FOAM- Adhesive				1	1
14	A 02583	SPACER-Carburetor	1	1	1		
15	00202 B	GASKET- Carburetor Spacer	1	1	1		
16	01823	FOAM- Adhesive	1	1	1		
17	A 07039	CARBURETOR W/AIR FILTER (Walbro)	1	1	1		
	A 09203	CARBURETOR W/AIR FILTER (Zama)				1	1
18	00805 A	SCREW- Carburetor Retainer	2	2	2	2	2
19	88339	GASKET-Carburetor	1	1	1	1	1
20	02695	RETAINER PLATE	1	1	1	1	1
21	01178	RETAINER NUT- Filter	2	2	2	2	2
22	02718	O RING	2	2	2	2	2
23	A 02582 A	AIR FILTER	1	1	1	1	1
24	81009	NUT- Hex (8-32)	2	2	2	2	2
25	82430	SCREW Mach. Hex Hd. (8-32 x 7/8")	2	2	2	2	2
26	82513	SCREW Thread Form (8-19 x 5/8")	1	1	1	1	1
27	84123	WASHER Flat (#6)	1	1	1	1	1
28	70310 38	TUBING- Rubber (3")	1	1	1	1	1
29	70310 18	TUBING- Rubber (4 3/4")	1	1	1	1	1
30	00997 D	CABLE Throttle	1	1	1	1	1

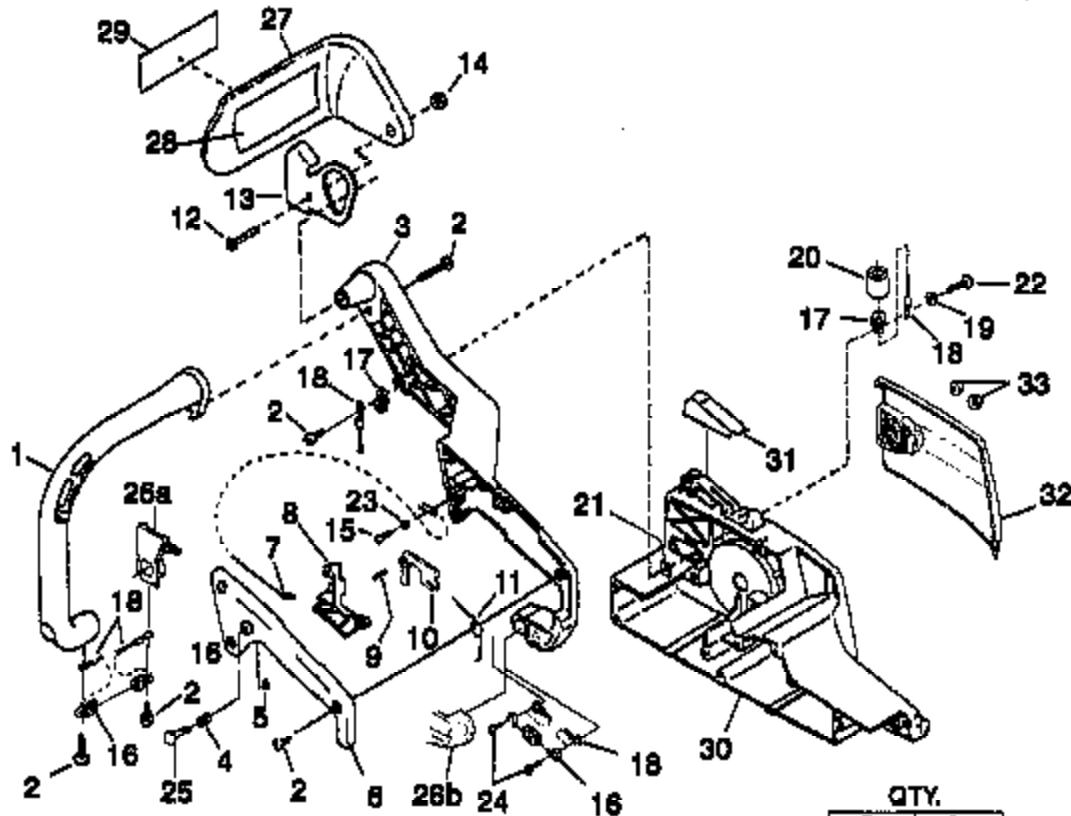
ENGINE HOUSING



NO.	PART NO.	DESCRIPTION	QTY.				
			CS-1018	250	262	304	CS-1019
1	82646	SCREW- Thread Form (8-16 x 1 3/4")	3	3	3	3	3
2	82646	SCREW- Thread Form. (8-16 x 5/8")	4	4	4	4	4
3	00207 1B 01715 1A	HOUSING- Starter Side HOUSING- Starter Side	1	1	1		1
4	82658	SCREW- Thread Form. (10-14 x 1 1/8")	1	1	1	1	1
6	83088	WASHER- Lock	1	1	1	1	1
8	A 08720 B	HOUSING- Drive Side	1	1	1	1	1
7	03132	BOLT- Guide Bar	2	2	2	2	2
8	01806 A	DECAL- Panel	1	1	1	1	1
9	80884	SCREW- Hex Hd. (12-24 x 1")	2	2	2	2	2
10	85212	STOP- Chain	1	1	1	1	1
11	82837	SCREW- Thread Form (10-14 x 7/8")	1	1	1	1	1
12	01170	PLATE- Guide Bar (Outer)	1	1	1	1	1
13	82613	SCREW- Thread Form. (6-18 x 1/2")	1	1	1	1	1
14	88278	PLATE- Guide Bar (Inner)	1	1	1	1	1
16	65112 1	PIN- Adjusting	1	1	1	1	1
16	03138	SCREW- Guide Bar Adjusting	1	1	1	1	1
17	89599	RING- Snap	1	1	1	1	1
18	01183	BULB- Primer	1	1	1	1	1
19	06355	ROD- Choke	1	1	1	1	1
20	01802	SWITCH- Ign.	1	1	1	1	1
21	69889	BOOT- Throttle Cable	1	1	1	1	1
22	64862	GROMMET- Choke	1	1	1	1	1
23	01168	PANEL- Control	1	1	1	1	1
24	A 04583 A	CYLINDER COVER					1
25	01173 A	SCREEN- Air Inlet					1
28	02608	LABEL- Warning					1
24	A 02581 C	CYLINDER COVER	1	1	1		
26	01173 A	SCREEN- Air Inlet	1	1	1		
28	02506	LABEL- Warning	1	1	1		
27	01172	GROMMET- Carburetor	1	1	1		
28	01178 A	PLUG- Idle Speed	1	1	1		
29	09018	GROMMET- Carburetor					1
30	95792	SCREW- Round Hd. (10-24 x .710)	3	3	3	3	3
31	70810	NUT- Square (10-24)	3	3	3	3	3
32	86334	PIN- Dotter	1	1	1	1	1
33	A 08635	GUIDE BAR FASTENER KIT	1	1	1	1	1

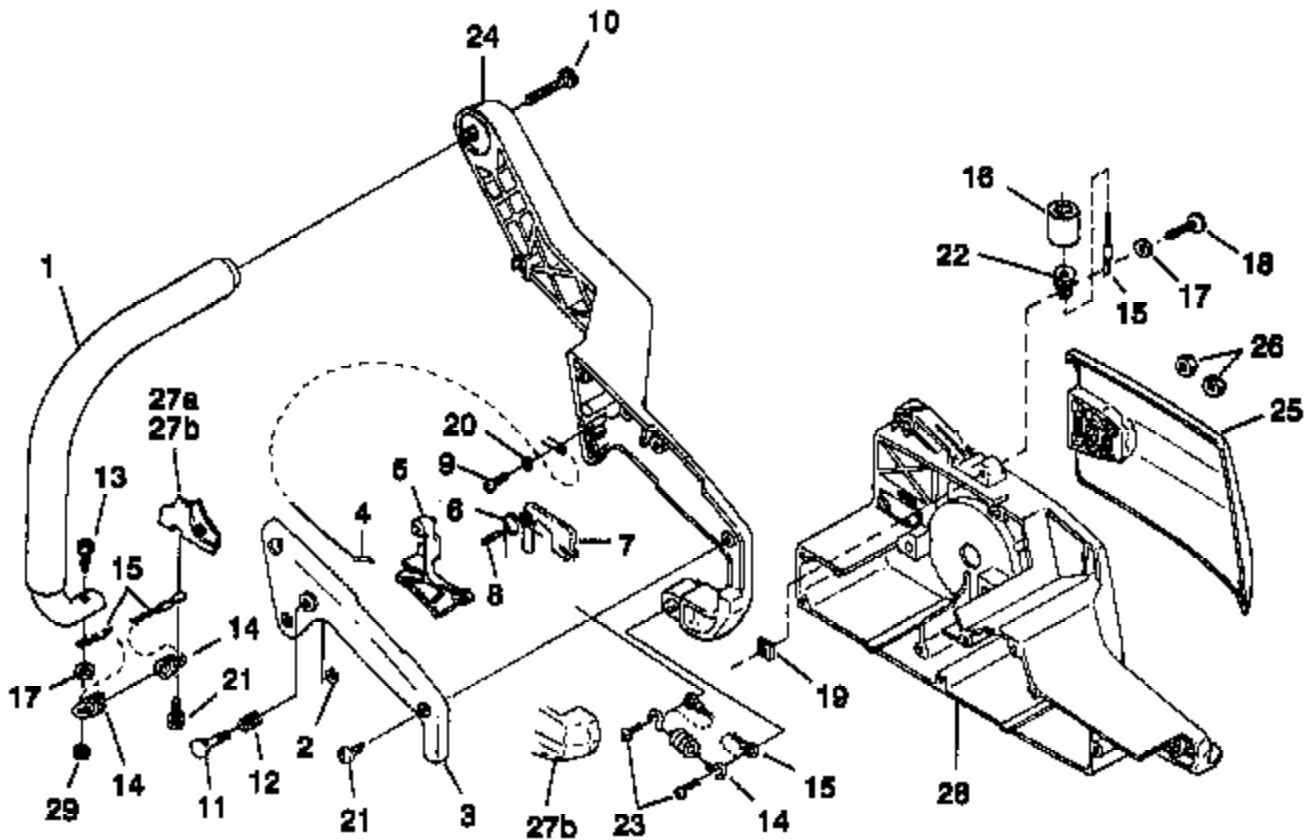
86/16/98

HANDLES - CS40 - CS4018 - CS50 - CS5020



NO.	PART NO.	DESCRIPTION	QTY.	
			CS40	CS50
*	A 07217	HANDLE KIT	1	1
1	A 01175	HANDLE BAR	1	1
2	82546	SCREW, Thread Form (8-18 X 5/8")	7	7
3	07164	HANDLE-Rear	1	1
4	95020	SPRING-Compression	1	1
5	58408	RING, Retaining	1	1
6	00210 C	COVER-Rear Handle	1	1
7	00997 D	CABLE-Throttle	1	1
8	A 03806 A	TRIGGER & SWIVEL	1	1
9	70259	PIN-Dowel	1	1
10	93366 A	LOCK-Trigger	1	1
11	02316	SPRING-Trottle	1	1
12	80402 A	SCREW-Hex Cap	1	1
13	00258	MOUNTING BRACKET-Handguard	1	1
14	81258	NUT-Flange Hex	1	1
15	82513	SCREW, Thread Form (#8-19 X 7/8")	2	2
16	A 07214	ISOLATOR KIT	1	1
16	01188	SPRING-Extension	2	2
17	02813	SPRING-Extension	1	1
18	03588	RETAINER-Spring	3	3
19	84006	WASHER-Flat (#10)	1	1
20	01813	SLEEVE-Spring	1	1
21	70810	NUT-Square (#10-24)	1	1
22	82552	SCREW-Pan Hd. (#10-24 X 7/8")	1	1
23	84123	WASHER-Flat	2	2
24	82546	SCREW-Thread Form (8-18 X 1/2)	2	2
25	95671	PIN-Throttle Lock	1	1
26a	00207 1B	HOUSING-Starter Side	1	
26b	01716 1A	HOUSING-Starter Side		1
27	A 95086 A	HANDGUARD	1	1
28	02681	DECAL-Klokback	1	1
29	00317 A	DECAL-Klokback	1	1
30	A 03720 B	ENGINE HOUSING-(Drive Side)	1	1
31	00234	COVER-Snap On	1	1
32	A 00226 A	DRIVE CASE COVER	1	1
33	81186	NUT-Hex (5/16"-18)	2	2

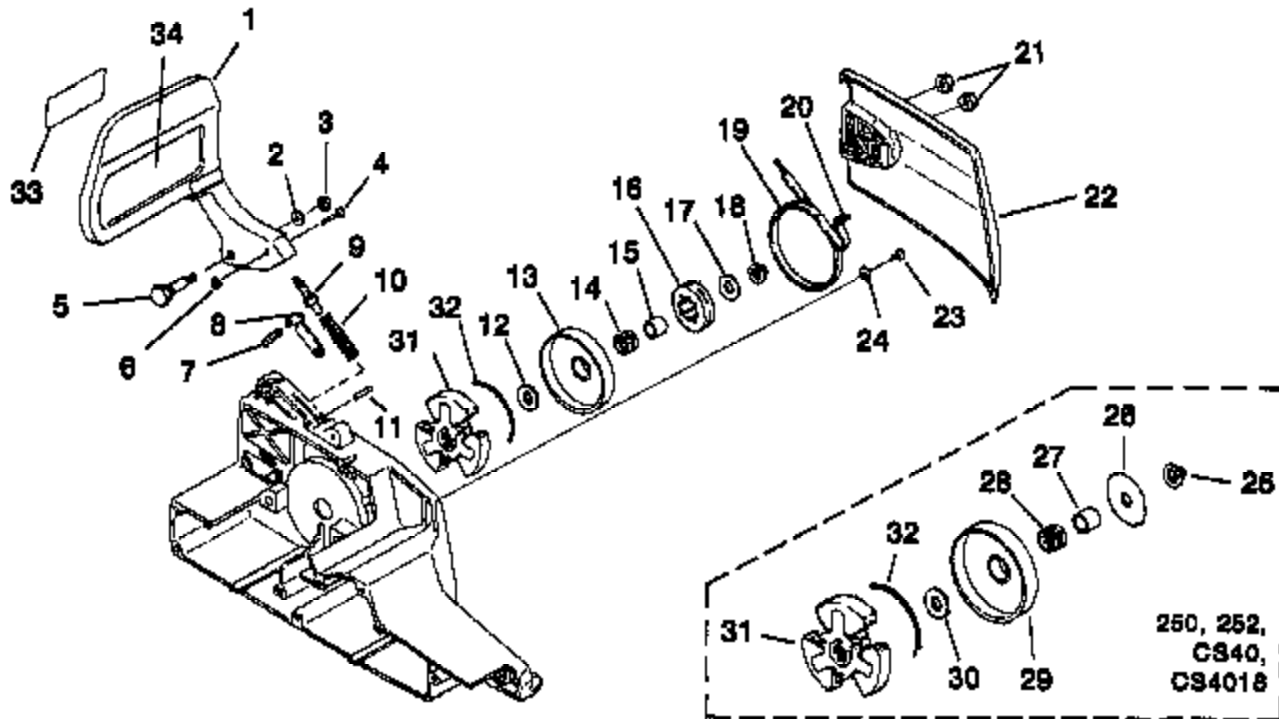
HANDLES - 250 - 252 - 300



NO.	PART NO.	DESCRIPTION	QTY.		
			8	16	8
1	A 07216	HANDLE KIT	1	1	1
2	A 03498	HANDLE BAR	1	1	1
3	58409	RING, RETAINING	1	1	1
4	00210 C	COVER, REAR HANDLE	1	1	1
5	00997 D	CABLE, THROTTLE	1	1	1
6	A 03808 A	TRIGGER, THROTTLE	1	1	1
7	02316	SPRING, THROTTLE	1	1	1
8	93305 A	LOCK, THROTTLE	1	1	1
9	70263	PIN, DOWEL	1	1	1
10	82513	SCREW, THREAD FORM (8-19 X 1/2")	1	1	1
11	80891	SCREW, HEX Hd (12-24 X 7/8")	1	1	1
12	05671	PIN, THROTTLE LOCK	1	1	1
13	85020	SPRING, COMPRESSION	1	1	1
14	96820	SCREW, TORX (10-24 X 1/2")	1	1	1
15	A 07214	ISOLATOR KIT	1	1	1
16	01168	SPRING, EXTENSION	2	2	2
17	03583	RETAINER, SPRING	3	3	3
18	01813	SLEEVE, SPRING	2	2	2
19	84008	WASHER, FLAT (#12)	2	2	2
20	82582	SCREW, PAN Hd. (10-24 X 7/8")	1	1	1
21	70810	NUT, SQUARE (# 10-24)	1	1	1
22	84123	WASHER, FLAT	1	1	1
23	82548	SCREW, THREAD FORM (8-18 X 5/8")	6	6	6
24	02813	SPRING, EXTENSION	1	1	1
25	82548	SCREW, THREAD FORM (8-18 X 1/2")	2	2	2
26	07183	HANDLE, REAR	1	1	1
27a	A 00228 A	COVER, DRIVE CASE	1	1	1
27b	81186	NUT, HEX	2	2	2
28	01715 1A	HSG., STARTER SIDE			1
29	00207 1B	HSG., STARTER SIDE	1	1	
	A 03720 B	ENG. HSG. DRIVE SIDE	1	1	1
	81261	NUT, HEX	1	1	1

06/16/98

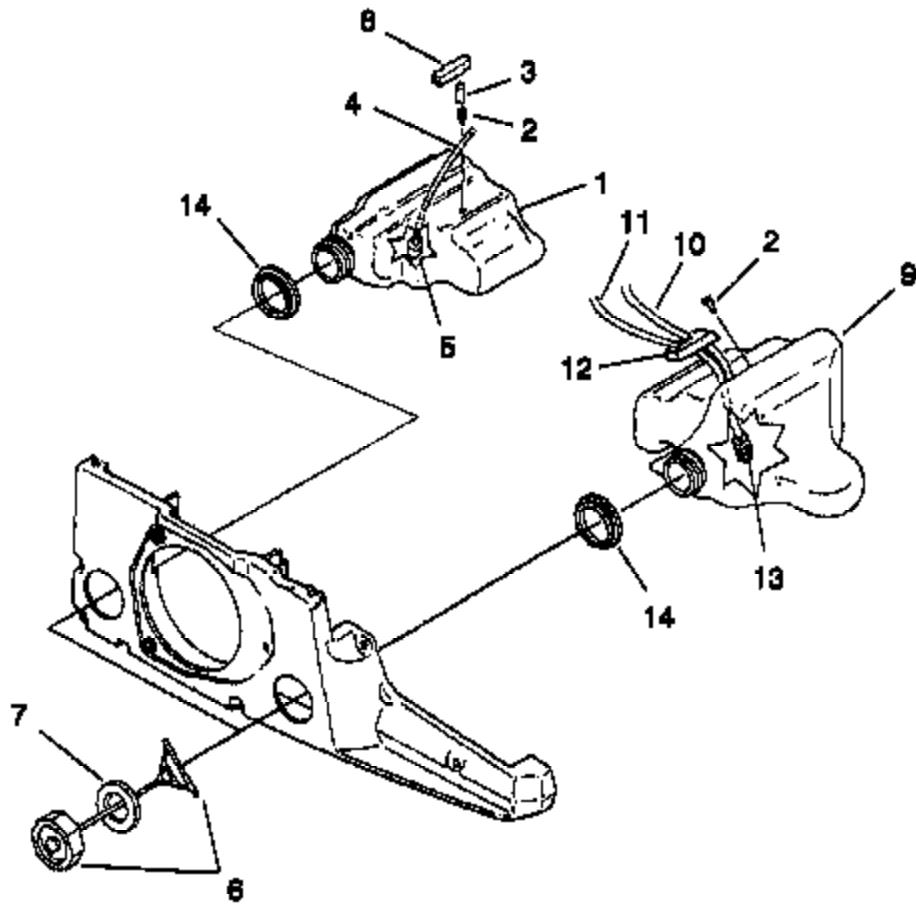
CLUTCH & CHAIN BRAKE



QTY.

NO.	PART NO.	DESCRIPTION	CS4018 CS40	250	252	250	252	CS40
1	A 00767	GUARD, HAND	1	1	1			
2	83203	WASHER, BELLVILLE	1	1	1			
3	98457	NUT - (M6)	1	1	1			
4	98422 A	PIN	1	1	1			
5	98491	SCREW, SHOULDER	1	1	1			
6	01820	RING, RETAINER	1	1	1			
7	98300	SPRING, COIL	1	1	1			
8	A 98317 A	BRAKE LATCH ASSY.	1	1	1			
9	A 00898 A	ADJUSTER, BRAKE	1	1	1			
10	00690 1A	SPRING, COMPRESSION	1	1	1			
11	98456	PIN	1	1	1			
12	68833	WASHER, THRUST (INNER)				1		
13	A 02980	SPLINE & DRUM				1		
14	02989	BEARING, NEEDLE				1		
15	03039	RACE, INNER				1		
16	07341	SPROCKET, RIM (.325 X 7T)				1		
17	65027	WASHER, THRUST	1	1	1	1		1
18	61255	NUT, HEX LOCK (3/8"-24)	1	1	1	1		1
19	A 98288 B	BRAKE BAND ASSY		1	1	1		
20	08672	PIN, DOWEL		1	1	1		
21	81186	NUT, HEX	2	2	2	2		2
22	A 00226 A	COVER, DRIVE CASE	1	1	1	1		1
23	82613	SCREW, THREAD FORM (#6)		1	1	1		
24	01180	RETAINER, BRAKE BAND		1	1	1		
25	61255	NUT, HEX LOCK (3/8"-24)	1	1	1	1		1
26	65084	WASHER, THRUST	1	1	1	1		1
27	69423	RACE, INNER	1	1	1			1
28	64333	BEARING, NEEDLE	1	1	1			1
29	00998 A	SPROCKET & DRUM	1	1	1			1
30	65027	WASHER, THRUST	1	1	1			1
31	A 00896	CLUTCH ASSY	1	1	1			1
32	98453	SPRING, CLUTCH	1	1	1			1
33	02661 A	LABEL, KICKBACK	1	1	1			1
34	02881	DECAL, SAFETY	1	1	1			1

FUEL & OIL TANKS



NO.	PART NO.	DESCRIPTION	QTY.				
			CRANE	CRANE	TRK	TRK	TRK
1	A 08636	OIL TANK ASSY.	1	1	1	1	1
2	03134	VALVE-Check	1	1	1	1	1
3	03585	PIN-Spirol	1	1	1	1	1
4	70310 29	TUBING-Rubber (7 1/4")	1	1	1	1	1
5	A 68593	FILTER- Oil	1	1	1	1	1
6	A 00904 A	CAP- Tank (w/Retainer)	1	1	1	1	1
7	02762 A	GASKET-Fuel Cap	1	1	1	1	1
8	69443	FILTER- Oil Tank Valve	1	1	1	1	1
9	A 06837	FUEL TANK ASSY.	1	1	1	1	1
2	03134	VALVE- Check	1	1	1	1	1
6	A 00904 A	CAP- Tank (w/Retainer)	1	1	1	1	1
7	02762 A	GASKET-Fuel Cap	1	1	1	1	1
10	70310 21	TUBING-Rubber (5 1/4")	1	1	1	1	1
11	70310 38	TUBING- Rubber (9")	1	1	1	1	1
12	02952	FILTER- Foam	1	1	1	1	1
13	49422	FILTER- Fuel	1	1	1	1	1
14	00993	SAWDUST SEAL	2	2	2	2	2