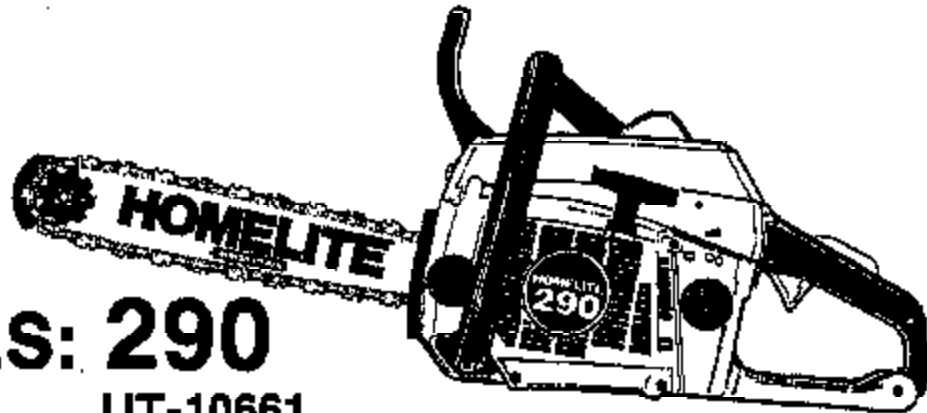


PART NO. 17867
REVISION 1
Printed in U.S.A.

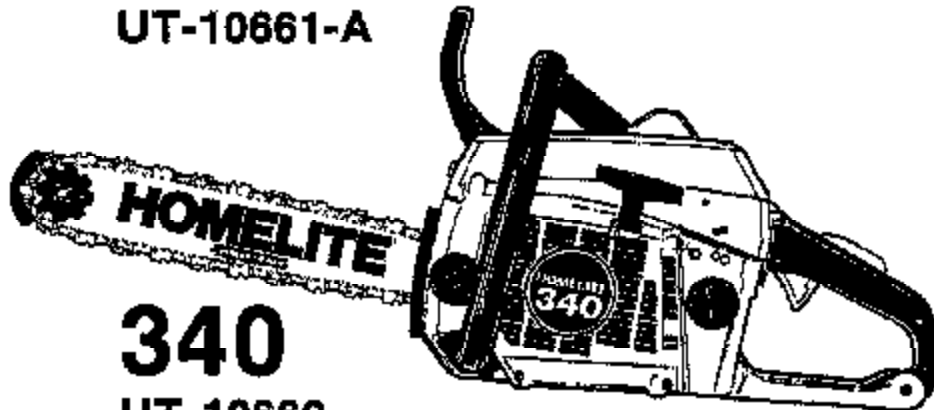
HOMELITE[®]
JACOBSEN

PARTS LIST



MODELS: 290

UT-10661
UT-10661-A



340

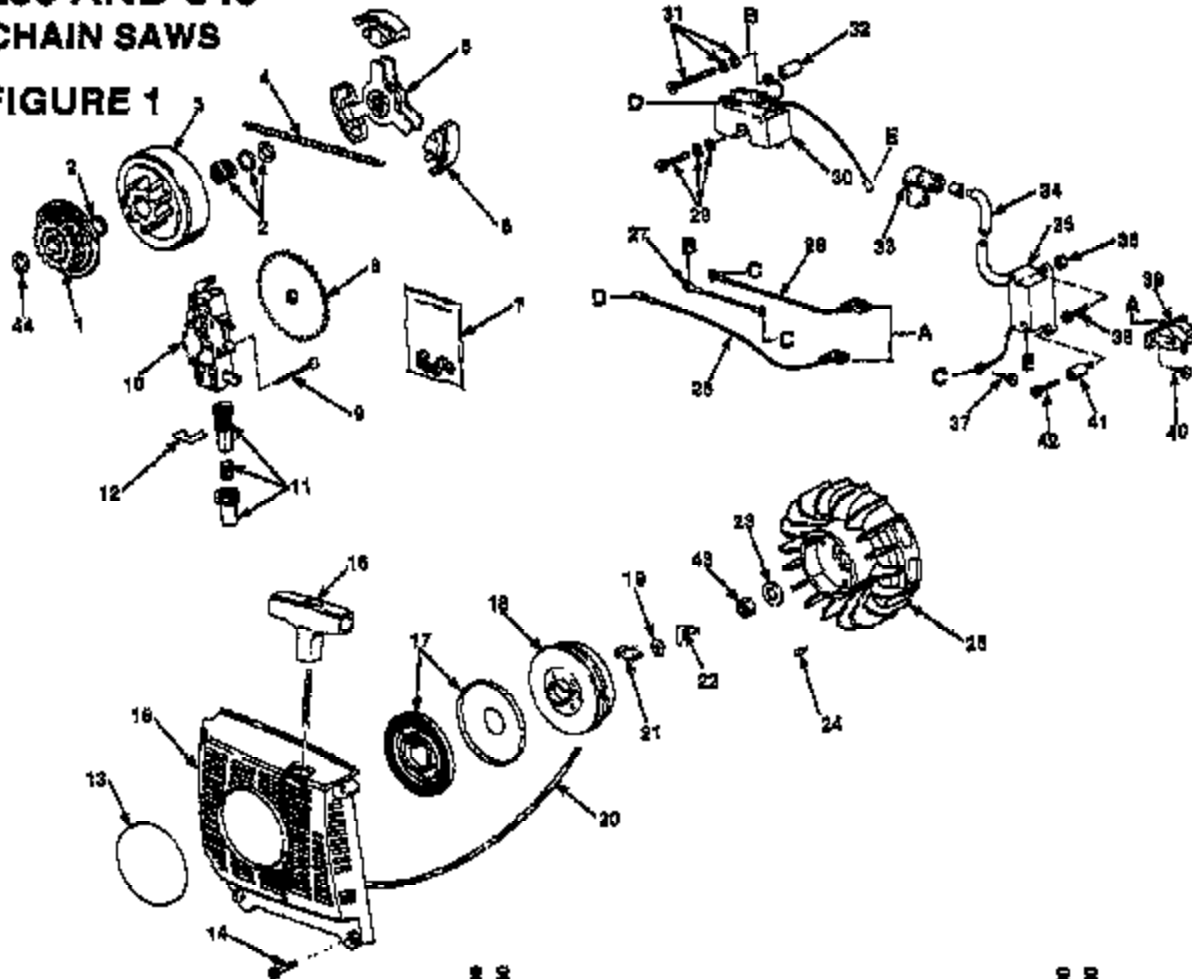
UT-10660
UT-10660-A

HOMELITE **TEXTRON**

Homelite Division of Textron Inc.

290 AND 340 CHAIN SAWS

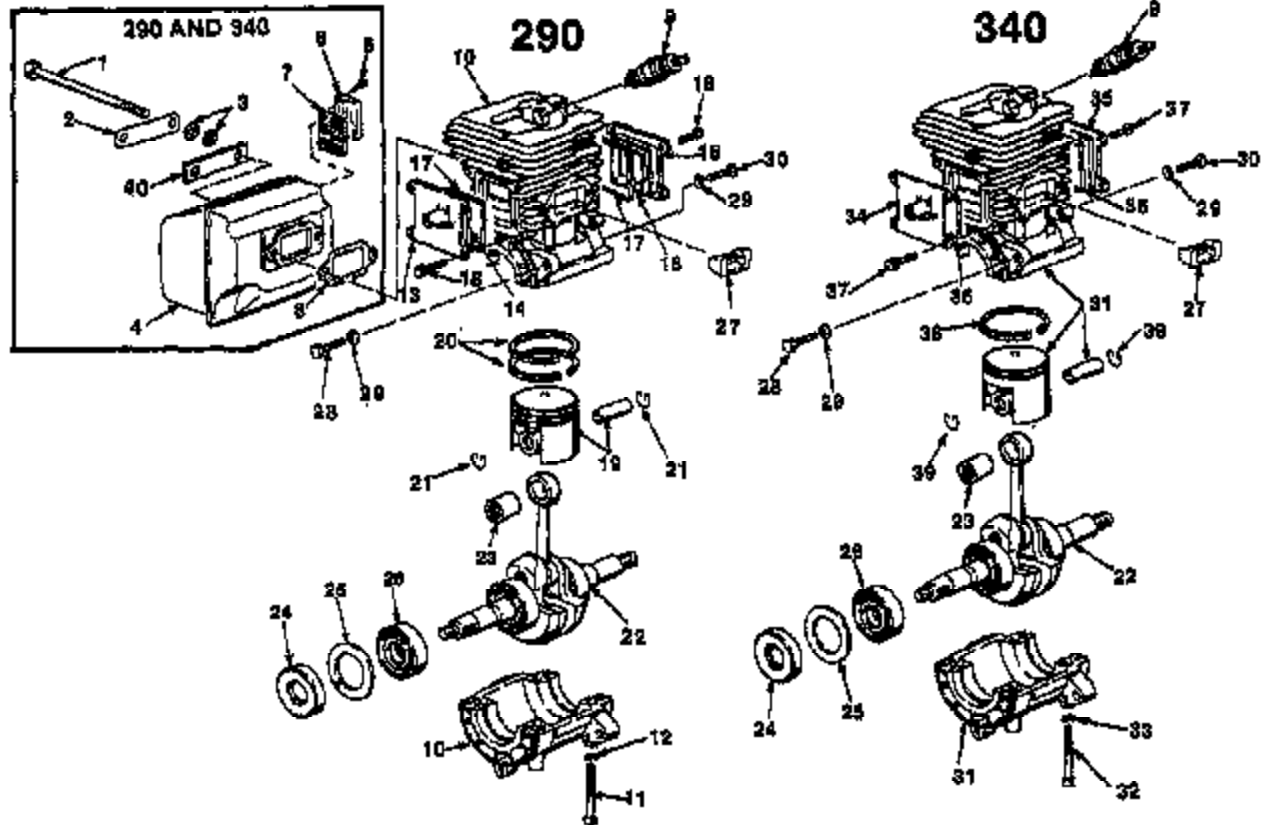
FIGURE 1



NO.	DESCRIPTION	PART NO.	290	340	Qty.	NO.	DESCRIPTION	PART NO.	290	340	Qty.
1	ACTIVATOR- 3/8 P, 7T	96474	x	x	1	22	CLIP- Retaining	96554	x	x	1
	ACTIVATOR- (opt.) .325, 8T.	96280	x	x	1	23	WASHER- Flat	96207	x	x	1
2	NEEDLE BEARING KIT	A-96482	x	x	1	24	KEY- Woodruff	96318	x	x	1
3	SPROCKET & DRUM, 3/8 P, 7 T.	A-96473	x	x	1	25	ROTOR	A-96310	x	x	1
	(opt.)	A-96281	x	x	1	26	WIRE- Ground	A-96373	x	x	1
4	SPRING- Clutch	96435	x	x	1	27	CABLE- Insulated	A-96372	x	x	1
5	SPIDER- Clutch	A-96289	x	x	1	28	CABLE- Insulated	A-96374	x	x	1
6	SHOE- Clutch	96282	x	x	3	29	SCREW- F.H. (5 x 20)	96146	x	x	1
7	KIT- Pump repair	A-96484	x	x	1	30	MODULE & CORE	96366	x	x	1
8	GEAR & HUB ASSEMBLY	A-96293	x	x	1	31	SCREW- F.H. (6 x 30)	96144	x	x	1
9	SCREW- (4.2 x 32)	96138	x	x	3	32	SPACER	96367	x	x	1
10	OIL PUMP ASSEMBLY	A-96244	x	x	1	33	TERMINAL- Spark plug	A-96369	x	x	1
11	REGULATOR REPAIR KIT includes:	A-96483	x	x	1	34	TUBING- Silicon 3/2"	96376	x	x	1
12	PLATE- Support	96295	x	x	1	35	COIL- Ignition	96368	x	x	1
13	DECAL- Starter (290)	96187	x		1	36	NUT	91403	x	x	1
	DECAL- Starter (340)	96183		x	1	37	SCREW (3.8 x 13)	96375	x	x	1
14	SCREW (5 x 20)	96142	x	x	4	38	SCREW- F.H. (4 x 14)	96148	x	x	1
15	HOUSING- Starter	96321	x	x	1	39	SWITCH (on/off)	96377	x	x	1
16	GRIP- Starter	96331	x	x	1	40	SCREW (3.5 x 13)	96148	x	x	1
17	SPRING & CONTAINER	A-96326	x	x	1	41	STUD	96369	x	x	1
18	PULLEY- Starter	96329	x	x	1	42	SCREW (F.H. 4 x 18)	96147	x	x	1
19	WASHER	96423	x	x	1	43	NUT- Hex	91402	x	x	1
20	STARTER PAWL & ROPE KIT Includes:	A-96485	x	x	1	44	WASHER	96475	x	x	1
21	STARTER PAWL	96332	x	x	1						

290 AND 340 CHAIN SAWS

FIGURE 2

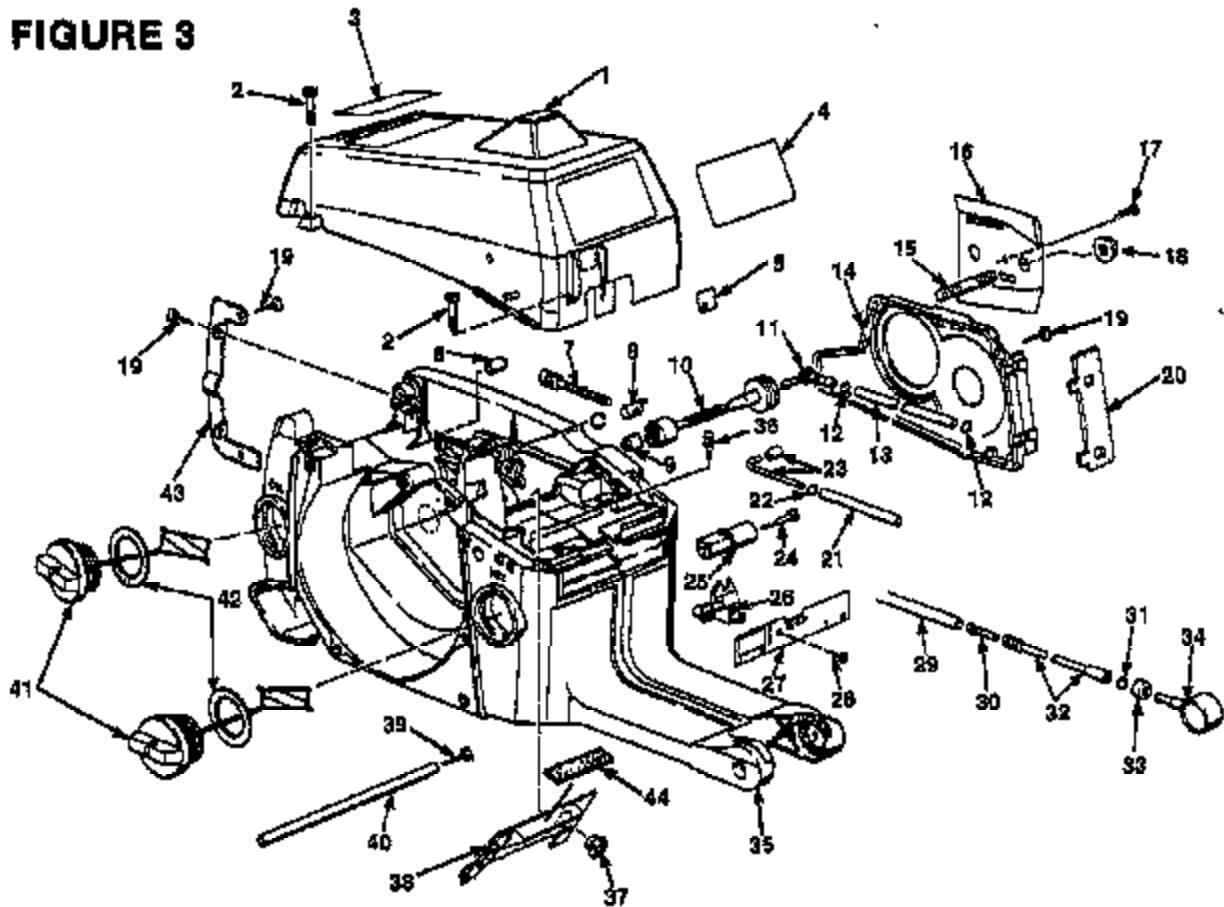


NO.	DESCRIPTION	PART NO.	QTY.	NO.	DESCRIPTION	PART NO.	QTY.
1	SCREW- (M6 x 90)	85137	x x 2	22	CRANKSHAFT ASSEMBLY	A-88189	x x 1
2	PLATE- Locking	88242	x x 1	23	BEARING- Needle roller	88194	x x 1
3	WASHER- Belleville	88448	x x 4	24	SEAL- Main	88197	x x 2
4	MUFFLER ASSEMBLY	A-88288	x x 1	25	RETAINER- Bearing	88198	x x 2
	Includes:			26	BEARING- Ball	88199	x x 2
6	SCREW	88168	x x 2	27	INSERT-INTAKE PORT	88216	x x 1
6	COVER- Muffler	88500	x x 1	28	SCREW- (M5 x 23)	88198	x x 4
7	SPARK ARRESTOR	88499	x x 1	29	WASHER- Flat (M6)	88203	x x 7
8	MUFFLER GASKET	88241	x x 1	30	SCREW- (M6 x 18)	88135	x x 8
9	SPARK PLUG (Champion D36Y)	88691-8	x x 1	31	CRANKCASE & CYLINDER	A-88510	x 1
	SPARK PLUG (Champion RCJ6Y)				W/Platon Assembly (Matched)		
	(resistor type)	88217	x x 1		Includes:		
10	CRANKCASE & CYLINDER	A-88444	x 1	32	SCREW	88135	x 4
	Includes:			33	WASHER- Lock	88200	x 4
11	SCREW- M5 x 48	88135	x 4	34	TRANSFER PORT	A-88211	x 1
12	WASHER- Lock	88200	x 4		COVER ASSEMBLY		
13	COVER- Transfer port	88212-1	x 1	35	TRANSFER PORT	A-88207	x 1
14	INSERT- Transfer port	88470	x 1		COVER ASSEMBLY		
15	COVER- Transfer port	88208	x 1	36	"O" RING	88215	x 2
16	INSERT- Transfer port	88468	x 1	37	SCREW (M4 x 12)	88134	x 8
17	"O" RING	88215	x 2	38	PISTON RING	88206	x 1
18	SCREW- M4 x 12	88134	x 8	39	RING- Platon pin retaining	88196	x 2
19	PISTON & PIN ASSEMBLY	A-88611	x 1	40	PLATE-Support	88875	x x 1
	Includes:						
20	PISTON RING	88408	x 2				
21	RING- Platon pin retaining	88198	x 2				

ALWAYS FURNISH MODEL AND SERIAL NUMBER WHEN ORDERING PARTS.

290 AND 340 CHAIN SAWS

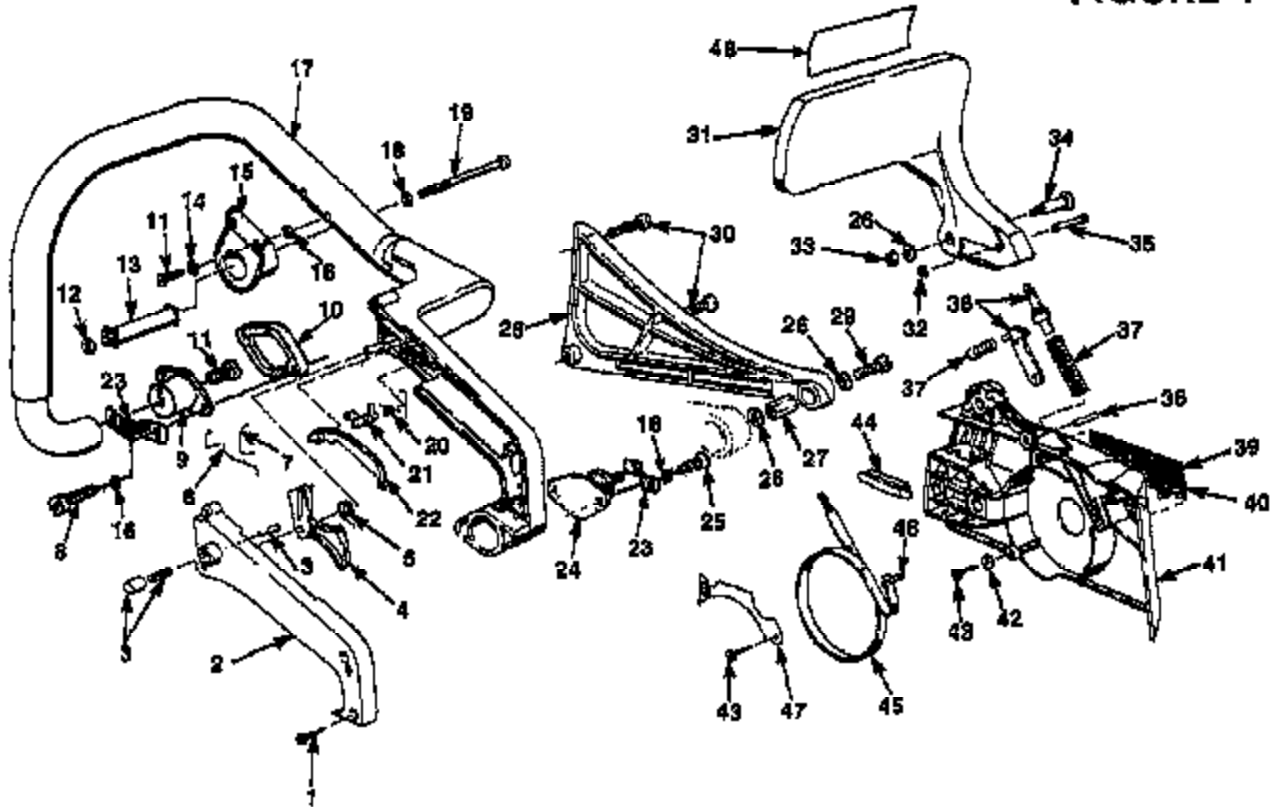
FIGURE 3



NO.	DESCRIPTION	PART NO.	QTY.	NO.	DESCRIPTION	PART NO.	QTY.
1	COVER- Cylinder	98403	x x 1	24	SCREW (4 2 x 32)	88187	x x 1
2	SCREW	88142	x x 3	25	CHAIN STOP	98277	x x 1
3	DECAL- Safety instruction	99980	x x 1	26	SUPPORT- Choke lever	98388	x x 1
4	DECAL- (290)	98189	x x 1	27	PLATE- Switch	98467-1	x x 1
	DECAL- (340)	98184	x x 1	28	SCREW (2 8 x 8 6)	88149	x x 1
5	DECAL- Choke	98398	x x 1	29	TUBING- Rubber (1 1/4")	98232-02	x x 1
6	VALVE- Check	A-98278	x x 1	30	FITTING- Hose	98354	x x 1
7	SCREW- Guide bar adjusting	88140	x x 1	31	CLAMP- Wire	98366	x x 1
8	PIN- Guide bar adjusting	98462	x x 1	32	LINE- Fuel pick-up	98363	x x 1
9	STRAINER- Oil	A-98272	x x 1	33	WEIGHT- Fuel pick-up	98360	x x 1
10	TUBE- Oil	98271	x x 1	34	FUEL FILTER ASSEMBLY	A-98357	x x 1
11	FITTING- Elbow	98270	x x 1	35	ENGINE HOUSING	A-98318	x x 1
12	CLAMP- Wire	98288	x x 2		Includes		
13	TUBING- Rubber (oil line) 3"	98232-03	x x 1	35	FITTING- Tube	98227	x x 1
14	COVER- Oil pump	98275	x x 1	37	PLUG- Baffle	98392	x x 1
15	STUD- Guide bar	98229	x x 2	38	BAFFLE- Cylinder	98390	x x 1
16	PLATE- Guide bar	98278	x x 1	39	SCREW (3 1/2 x 19)	88150	x x 1
17	SCREW- (3 5 x 8.5)	88513	x x 1	40	TUBING- Rubber (vent) 8"	98232-05	x x 1
18	NUT- W/washer	81401	x x 2	41	CAP- Oil & Fuel w/retainer	A-98383	x x 2
19	SCREW- (4 x 19)	98480	x x 2		Includes		
20	PROTECTOR- Engine housing	98278	x x 1	42	GASKET- Oil & Fuel	98386	x x 2
21	TUBING- Rubber (oil line) 7 1/2"	98232-04	x x 1	43	PLATE- Bumper	98294	x x 1
22	CLAMP- Wire	98268	x x 1	44	STRIP- Felt	98391	x x 1
23	OIL TUBE KIT	A-98478	x x 1				

290 AND 340 CHAIN SAWS

FIGURE 4

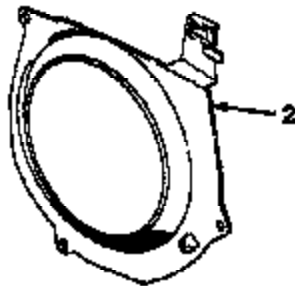
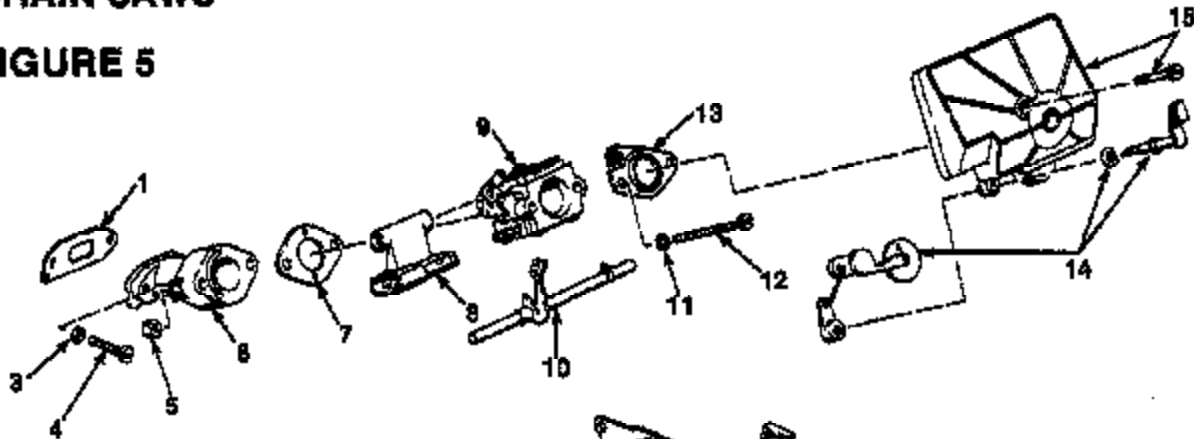


NO.	DESCRIPTION	PART NO.	QTY.	NO.	DESCRIPTION	PART NO.	QTY.
1	SCREW- (3 1/2 x 18)	88150	x x 4	25	SCREW (4.2 x 16)	88139	x x 2
2	COVER- Throttle handle	98417	x x 1	26	WASHER- Lock	83203	x x 3
3	KIT- Throttle lock	A-98479	x x 1	27	NUT	81409	x x 1
4	TRIGGER- Throttle	98412	x x 1	28	HAND GUARD (rear)	98431	x x 1
5	SPRING- Throttle	88413	x x 1	29	BOLT (M6 x 10)	88164	x x 1
6	LINK- Throttle	85383	x x 1	30	SCREW (4 x 20)	88433	x x 2
7	LINK- Throttle	88384	x x 1	31	HAND GUARD	88306	x x 1
8	SCREW- (4.22 x 22)	88153	x x 2	32	RING- Retaining	83204	x x 1
9	ISOLATOR	A-88420	x x 1	33	NUT	98467	x x 1
10	ISOLATOR SAFETY SPACER	88429	x x 1	34	SCREW- Shoulder	88461	x x 1
11	SCREW- (M6 x 12)	88151	x x 3	35	PIN	88422	x x 1
12	WASHER- Flat	83210	x x 1	36	ADJUSTMENT SET	A-88481	x x 1
13	SPACER- Isolator	88430	x x 1	37	SPRING SET	A-88480	x x 1
14	WASHER- Lock	83206	x x 2	38	PIN	88458	x x 1
15	HANDLE BAR ISOLATOR	A-88428	x x 1	39	DECAL- Homelite	88185	x x 1
16	WASHER	83212	x x 4	40	SCREW- (6 x 20)	88142	x x 1
17	HANDLE BAR ASSEMBLY	A-88404	x x 1	41	DRIVE CASE COVER ASSEMBLY	A-88298	x x 1
18	WASHER- Lock	88432	x x 1	42	WASHER	83208	x x 1
19	SCREW- (M6 x 85)	86152	x x 1	43	SCREW (8.5 x 13)	88148	x x 3
20	SPRING- Torsion	88415	x x 1	44	GUIDE- Chain	88309	x x 2
21	LEVER- Throttle lock	98414	x x 1	45	BRAKE BAND ASSEMBLY	A-88298	x x 1
22	LOCK- Throttle	98418	x x 1		Includes:		
23	STRAP- Isolator	88400	x x 2	46	PIN- Dowel	88447	x x 1
24	ISOLATOR	88398	x x 1	47	COVER- Plate	88307	x x 1
				48	DECAL	88853	x x 1

ALWAYS FURNISH MODEL AND SERIAL NUMBERS WHEN ORDERING PARTS.

290 AND 340 CHAIN SAWS

FIGURE 5



NO.	DESCRIPTION	PART NO.	290	340	Qty.
1	GASKET- Intake manifold	98385	x	x	1
2	GUIDE- Air	98319	x	x	1
3	WASHER- Spring	83203	x	x	2
4	SCREW (M8 x 20)	98458	x	x	2
5	NUT (M5)	81405	x	x	2
6	MANIFOLD- Intake	98337-1	x	x	1
7	GASKET- Carburetor	98339	x	x	1
8	GUIDE- Carburetor screw	98301	x	x	1
9	CARBURETOR (HUG9A) (THL)	A-98340	x	x	1
10	SHAFT- Throttle	98362	x	x	1
11	WASHER- Spring	83205	x	x	2
12	SCREW- (M6 x 46)	86143	x	x	2
13	PLATE- Filter mounting	98351	x	x	1
14	KIT- Choke lever	A-88498	x	x	1
15	AIR FILTER ASSEMBLY	A-98487	x	x	1
	Includes				
	SLEEVE	98508-01	x	x	2

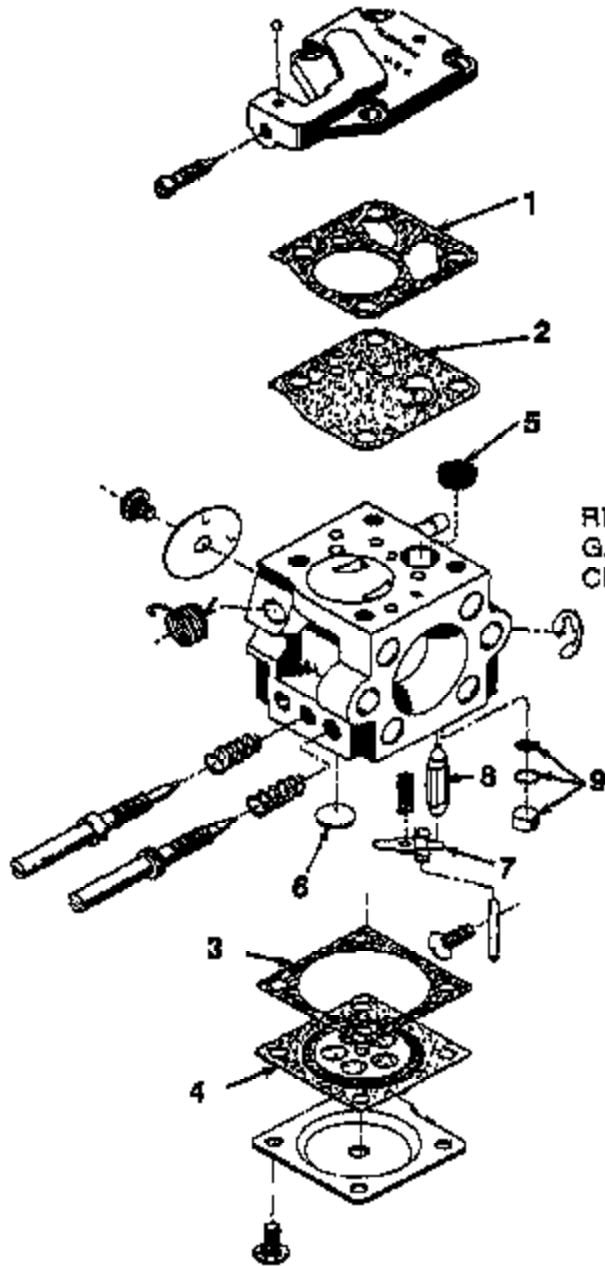
ACCESSORIES & TOOLS

BUMPER SPIKE	98293
ROTOR REMOVAL TOOL	98488
FLYWHEEL HOLDER TOOL	98489
COMBINATION WRENCH	98437
SILICONE SEALANT	24823
IGNITION TEST SPARK PLUG	JA-31318-4
CARBURETOR REPAIR TOOL KIT	17789
MULTI-PURPOSE GREASE	17193

290 AND 340 CHAIN SAWS

FIGURE 6

CARBURETOR (HU63A) A-98340



REPAIR KIT (Incl. 1 - 8) A-98494
GASKET/DIAPHRAGM KIT (Incl. 1 - 4) A-98493
CHECK VALVE KIT (#9) 98492

Homelite Division of Textron Inc.
P.O. box 7047
14401 Carowinds Boulevard
Charlotte N.C. 28217 U.S.A.

OVERSEAS OFFICES

1001001

HOMELITE DIVISION OF TEXTRON INC.
Korenaarstraat 1
2153 BM Nieuw Vennep
The Netherlands

HOMELITE DIVISION OF TEXTRON, INC.
Pacific Limited
P.O. BOX 209
Blackburn, 3130
Victoria, Australia

HOMELITE **TEXTRON**

Homelite Division of Textron Inc.