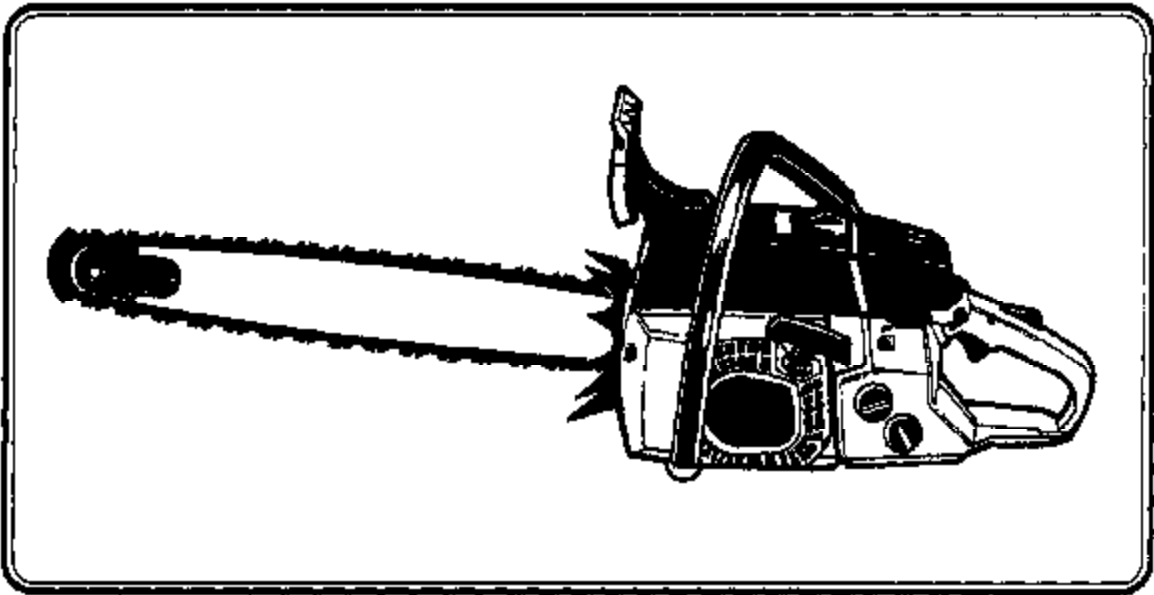


Homelite®

PARTS LIST



8800

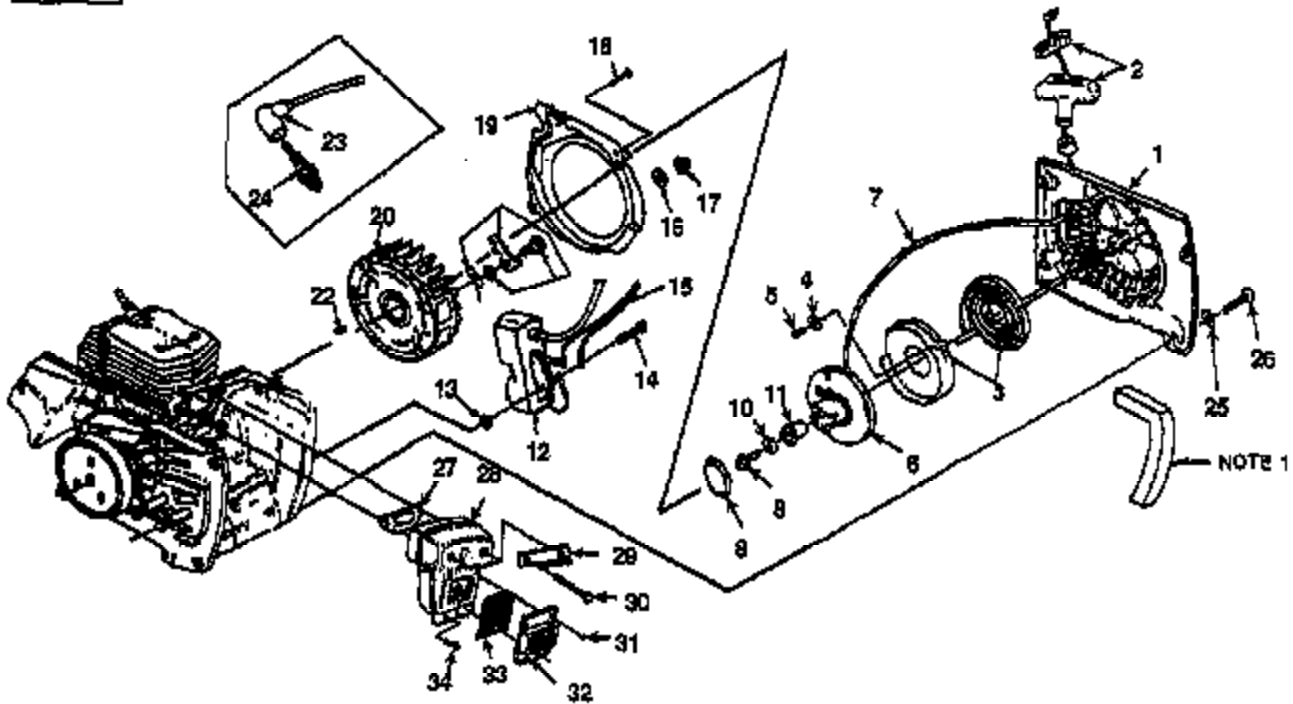
UT10731, A, B, C

8800HG

UT10810

8800
8800HG

STARTER - IGNITION - EXHAUST SYSTEM



ASSEMBLIES

NO.	PART NO.	DESCRIPTION	QTY.
1	A02292 A	STARTER COMPLETE	1
2	A89982 B	GRIP - WINBERT	1
3	A98097 A	SPRING & RETAINER	1
4	84026	WASHER - FLAT (#8)	2
5	82528	SCREW - THREAD FORM (6 X 3/8")	2
6	A97990 C	PULLEY & ROPE	1
7	A00518	ROPE	1
8	02506	SPRING - GRIP	1
9	82408	SCREW - (10-14 X 5/8")	1
10	58753	WASHER - RETAINING	1
11	97992 A	BUSHING - STARTER POST	1
12	A04890 A	MODULE ASSY	1
13	04817	SPACER	2
14	88052	SCREW - HEX HD (10-24 X 7/8")	2
15	A88583 1D	LEAD - GROUND W/GROMMET	1
16	85478 A	WASHER - FLAT	1
17	81266	NUT - LOCK HEX (3/8-24)	1
18	80582	SCREW MACH (8-32 X 5/8")	2
19	02133	SCROLL - AIR GUIDE	1
20	A02085 B	ROTOR	1
21	A08610	STARTER PAWL KIT	1
22	75078	KEY - WOODRUFF	1
23	A33055	TERMINAL - SPARK PLUG	1
24	98217 6	SPARK PLUG (RCJ6Y)	1
25	84003	WASHER - FLAT (#10)	4
26	82562	SCREW - PAN HD (10-24 X 5/8")	4
27	97882 B	GASKET - MUFFLER	1
28	A04429	MUFFLER	1
29	04431 A	PLATE - RETAINING	1
30	82582	SCREW - HEX CAP (1/4-20 X 3 1/4")	2
31	80660	SCREW - MACH (8-32 X 1/2")	3
32	A86747	CAP - MUFFLER	1
33	98827	SCREEN - SPARK ARRESTOR	1
34	82555 1	SCREW - TRUSS HD (10-24 X 3/4")	2

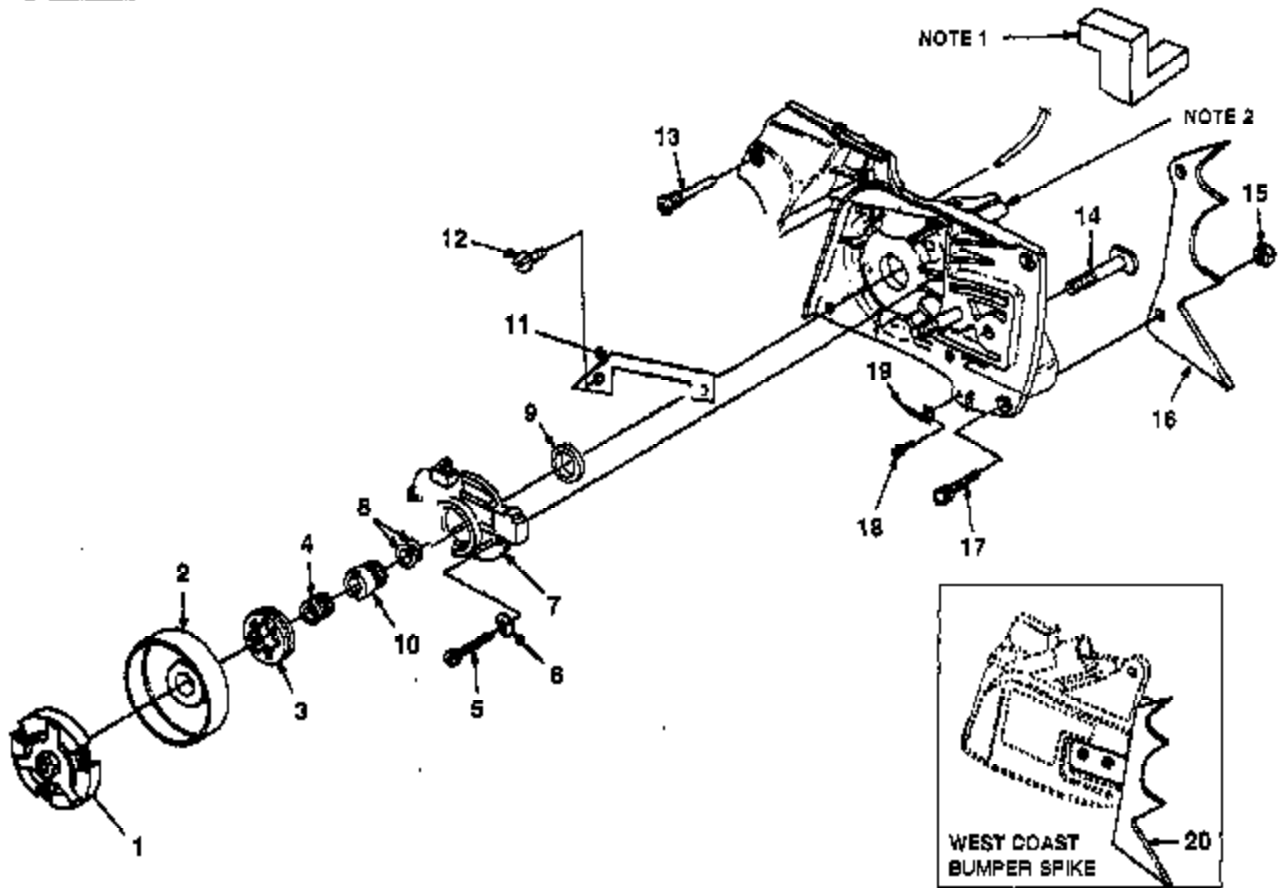
NOTE 1: A-03611-A FOAM KIT

Item No.	Torque Specs		Required Loctite
	In/Lbs	Nm	
5	8-12	.9-1.4	
8	30-40	3.4-4.5	
14	50-60	5.6-6.8	
17	250-300	28.2-33.9	
18	30-40	3.4-4.5	
24	120-180	13.6-20.3	
28	40-50	4.5-5.8	262 Red
30	100-140	11.3-15.8	
31	30-40	3.4-4.5	
34	80-70	8.8-7.9	

Job	Warranty Flat Rate	
	Description	Time/Hr.
FA11	Solid State Module	0.4
FB18	Muffler	0.9
FG10	Starter Assembly	0.3
FG11	Starter Pawls	0.3

8800
8800HG

CLUTCH - OIL PUMP



ASSEMBLIES

NO.	PART NO.	DESCRIPTION	QTY.
1	A 00022 A	CLUTCH	1
2	A 00351 1	DRUM & HUB	1
3	85056 A	SPROCKET (7T X 3/8P)	1
	83286 A	SPROCKET (7T X .404)	1
4	98883	BEARING-Needle	1
5	82562	SCREW-Cap Socket Hd. (10-24 X 7/8")	1
6	84003	WASHER-Flat (#10)	2
7	A 04881	OIL PUMP	1
8	84119	WASHER-Thrust	1
9	88308 B	SEAL-Shaft	1
10	A 00357 A	WORM & BEARING	1
11	04821	SHIELD-Pump	1
12	80575	SCREW-Slotted Hd. (8-32 X 1/4")	2
13	93367	PIN-Isolator	6
14	93918 A	BOLT-Guide Bar (3/8-16 X 2")	2
15	81225	NUT-Hex (#12-24)	2
16	01293	BUMPER SPIKE	1
17	82572	SCREW-SocketCap (12-24 X 5/8")	2
18	98820	SCREW-Torx Hd. (10-24 X 1/2")	1
19	04828	CHAIN-Stop	1
20	A 88888 A	BUMPER SPIKE (West Coast)	1

Item No.	Torque Specs		Required Loctite
	In/Lbs	Nm	
5	20-25	2.3-2.8	262 Red
12	30-40	3.4-4.5	242 Blue
13	50-70	6.8-7.9	
17	Hand Tight		
18	50-60	5.6-6.8	

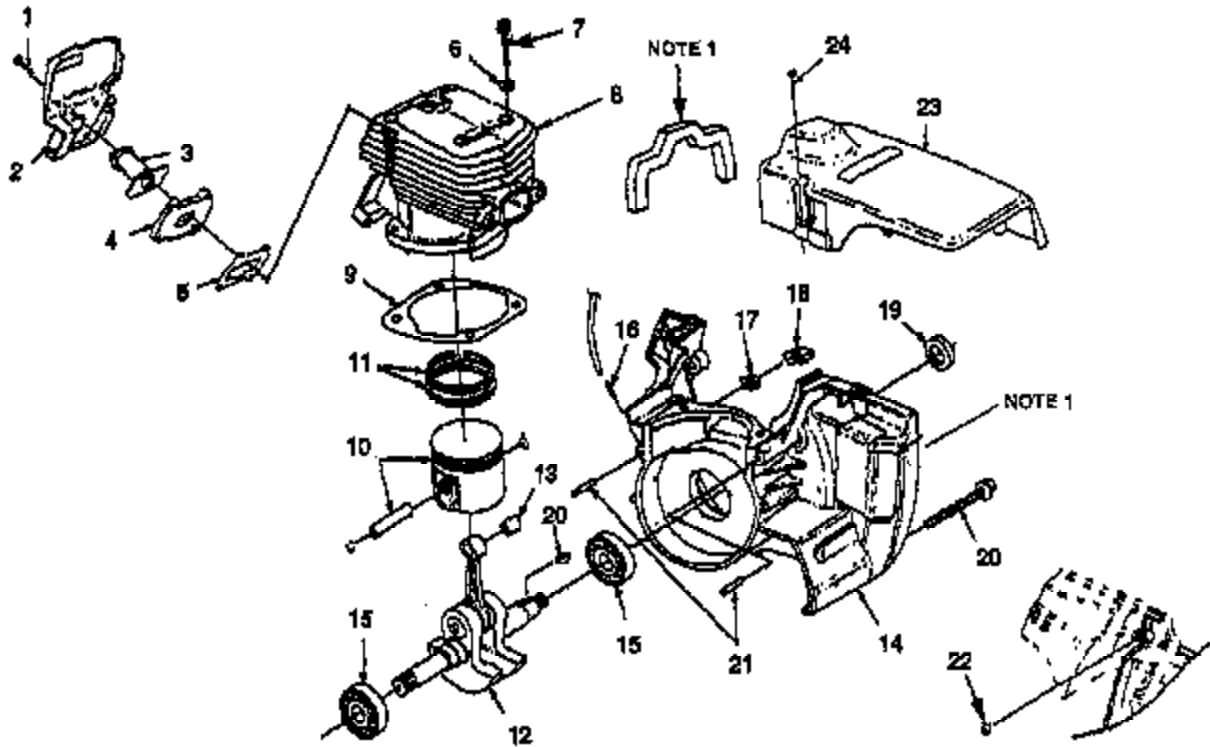
Job	Warranty Flat Rate	
	Description	Time/Hr.
FB15	Crankcase Seal (per side)	0.8
FC10	Clutch Assembly	0.3
FC12	Sprocket/Bearings	0.3
FE11	Automatic Oiler	0.5

NOTE 1: A-03611-A FOAM KIT
NOTE 2: See PG. 4, Item #14

06/30/03

8800
8800HG

ENGINE INTERNAL



ASSEMBLIES

NO.	PART NO.	DESCRIPTION	QTY.
1	62246	SCREW - MACH. HEX HD (8-32 X 3/4")	1
2	97336 1A	BAFFLE - CYLINDER	1
3	97263 2	BOOT - INTAKE	1
4	02822	ADAPTER - INTAKE	1
5	04635	GASKET - INTAKE	1
6	12021	WASHER - CONICAL (#10)	4
7	62246	SCREW - CAP SOCKET (10-24 X 1")	4
8	A 02830 A	CYLINDER & PISTON (MATCHED)	1
9	PS 97316	GASKET - CYLINDER	1
10	A 02824 1B	PISTON & PIN ASSY.	1
11	02825	PISTON RING	2
12	A 00792 A	CRANKSHAFT & ROD	1
13	93519	BEARING - NEEDLE	1
14	A 07082	CRANKCASE ASSY	1
15	94621 A	BEARING - BALL	2
16	69833	FITTING - TUBE	1
17	61206	NUT - LOCK HEX (10-24)	2
18	12689 A	NUT - RETAINER	2
19	58308 B	SEAL - SHAFT	1
20	88057	SCREW - HEX SEMS (10-24 X 2")	5
21	PS 91062	PIN - DOWEL	1
22	PS 97330	BUSHING	1
	93918 A	BOLT - GUIDE BAR (SEE CLUTCH PG)	2
23	A 02121	COVER - CYLINDER	1
24	93397 A	SCREW - CYLINDER COVER	3

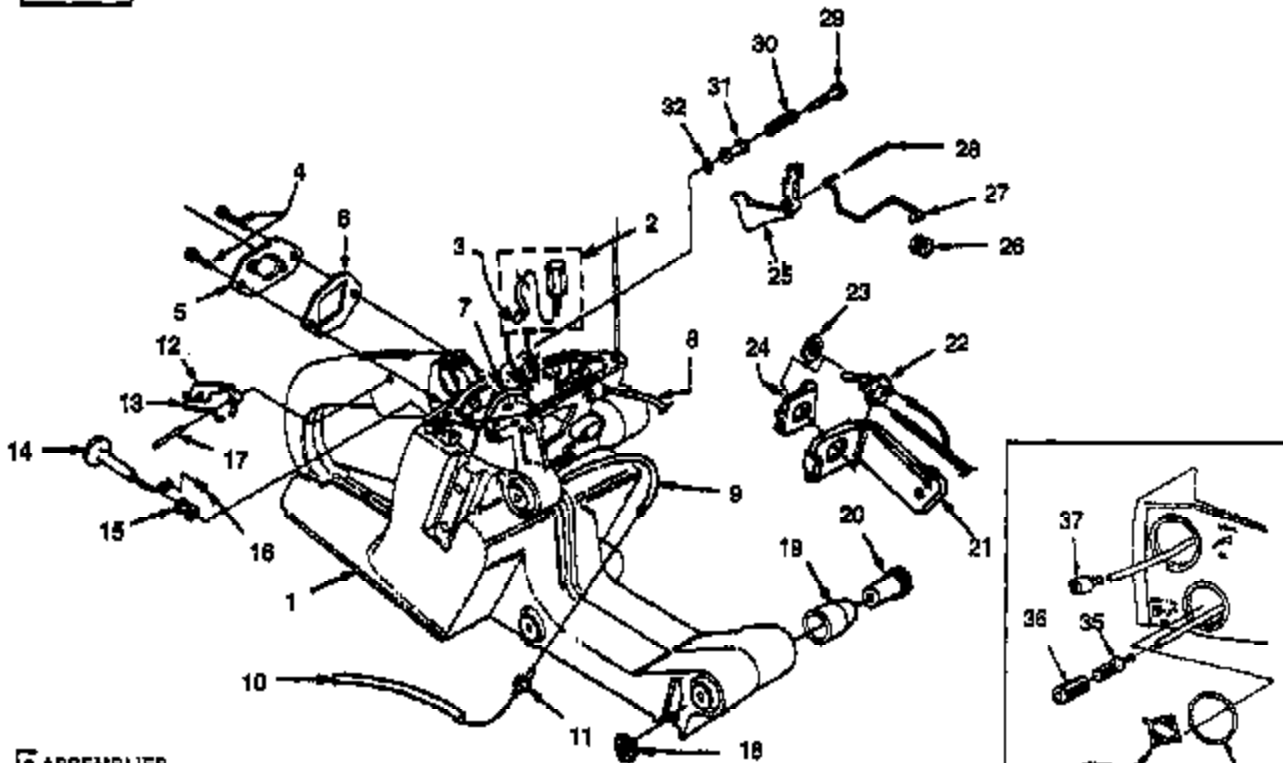
NOTE 1: A-09811-A FOAM KIT

Torque Specs			
Item No	in/Lbs	Nm	Required Locktite
1	18-25	1.7-2.8	242 Blue
7	80-80	9.0-10.2	262 Red
20	70-80	7.8-9.0	262 Red
24	20-30	2.3-3.4	

Warranty Flat Rate		
Job	Description	Time/hr
FB10	Partial Engine Rebuild	0.9
FB11	Complete Engine Rebuild	2.0
FB15	Crankcase Seal (per side)	0.9

8900
8900HG

ENGINE HOUSING



ASSEMBLIES

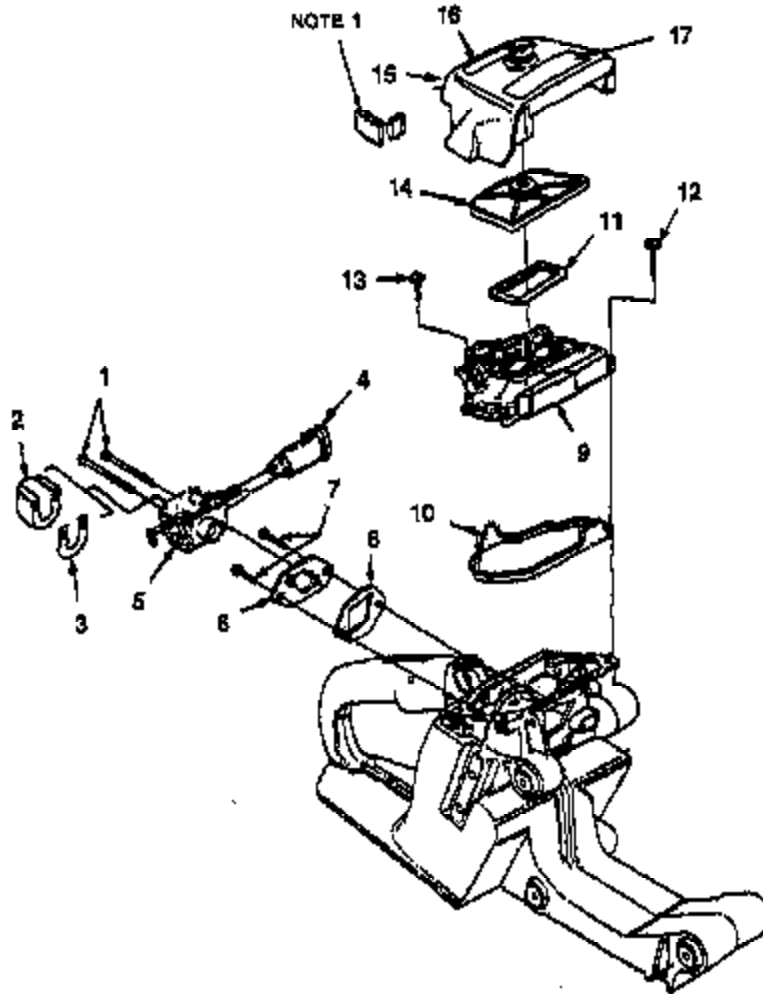
NO.	PART NO.	DESCRIPTION	QTY.
1	A 04892 A	HOUSING-Engine	1
2	A 07012	TANK VENT KIT	2
3	98641	VALVE-Duck Bill	1
4	98620	SCREW-Torx Truss (10-24 X 1/2")	2
5	97290 2A	ADAPTOR-Carburetor	1
6	PS 97291	GASKET-Carburetor	1
7	93112 38	TUBING-Rubber (Fuel Line, 9 1/2")	1
8	93157 20	TUBING-Rubber (Oil Line, 5")	1
9	93112 26	TUBING-Rubber (Pulse Line, 6 1/2")	1
10	70454 23	TUBING-Rubber (5 3/4")	1
11	02067	FITTING-Inline Fuel	1
12	93366 A	TRIGGER-Lock	1
13	PS 87266	SPRING-Flat	1
14	97292 1	ROD-Choke	1
15	64862	GROMMET	1
16	86924	PIN-Cotter	1
17	86548	PIN-Trigger	1
18	81206	Nut-Locking Hex (10-32)	3
19	97305 2	ISOLATOR-Vibration	6
20	PS 97262	SLEEVE-Flanged	6
21	PS 97306 A	COVER	1
22	A 67650 A	SWITCH-Toggle	1
23	72054 A1	NUT-Hex	1
24	12893	PLATE-Indicating	1
25	93842	TRIGGER-Throttle	1
26	89889	BOOT-Throttle Rod	1
27	97294 A	ROD-Throttle	1
28	86548	PIN-Trigger	1
29	86571	PIN-Throttle Lock	1
30	95020 A	SPRING-Compression	1
31	85889	BUSHING-Flanged	1
32	58409	RING-Retaining	1
33	A 03131	CAP-Fuel & Oil	2
34	88805 A	GASKET-Fuel & Oil Cap	1
35	A 97700	FILTER-Fuel	1
36	59253 1A	ELEMENT-Felt Filter	1
37	A 68693	OIL FILTER	1

Item No.	Torque Specs		Required Lubric.
	In/Lbs	Nm	
4	50-60	5.6-6.8	25% RWI

Job	Description	Warranty Flat Rate	
		Rate	Time/Hr.
FA17	Ignition Switch		0.3
FD11	Carburetor Chamber		0.9
FD12	Engine Hsg. (Fuel/Oil Tank)		0.9
FD99	Isolators		0.6
FE12	Oil Line		0.3
FF12	Fuel Line		0.3
FF13	Throttle/Rod/Trigger		0.3
PF15	Choke Rod		0.3
PF17	Manifold (Adapter)		0.4

8800
8800HQ

CARBURETOR - AIR CLEANER



ASSEMBLIES

NO.	PART NO.	DESCRIPTION	QTY.
1	82527	SCREW-Hex Cap (10-24 X 2")	2
2	49573	SHIELD-Carburetor	1
3	49571	GASKET-Carburetor Shield	1
4	PS 97295	GROMMET	2
5	A 07571	CARBURETOR KIT	1
6	97290 2A	ADAPTER-Carburetor	1
7	96820	SCREW-Torx Truss (10-24 X 1/2")	2
8	PS 97291	GASKET-Carburetor	1
9	PS 97298	COVER-Carburetor Chamber	1
10	PS 97298	GASKET-Carburetor Chamber	1
11	04535	GASKET-Air Filter	1
12	90582	SCREW-Pan Hd. (8-32 X 5/8")	2
13	80577	SCREW-Machine Pan Hd. (8-32 x 3/8")	2
14	A 97303 B	ELEMENT-Filter	1
15	A 04535 A	COVER-Air Filter	1
16	00780	DECAL-Warning	1
17	96731 A	DECAL-Warning	1

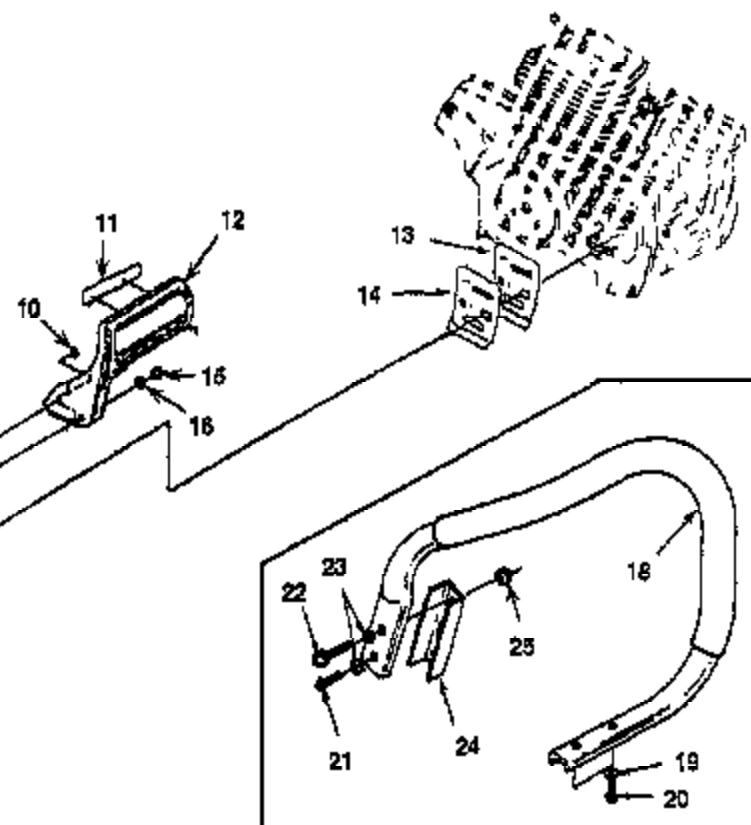
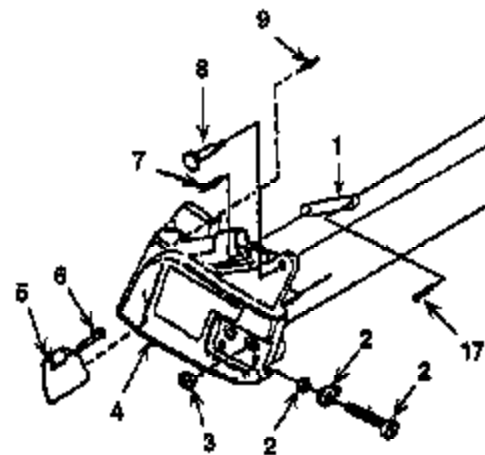
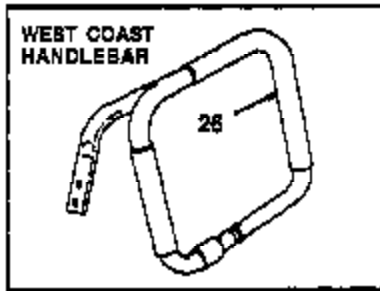
NOTE 1: A-03611-A FOAM KIT

Item No.	Torque Specs		Required Lubric
	In/Lbs	Nm	
1	40-50	4.5-5.6	262 Red
7	50-80	5.6-6.8	262 Red
12	15-20	1.7-2.3	242 Blue
13	15-20	1.7-2.3	

Warranty Flat Rate		
Job	Description	Time (H)
FF10	Carburetor Replace	0.3
FF44	Air Filter System	0.2

8800HG

HAND GUARD - HANDLES



ASSEMBLIES

NO.	PART NO.	DESCRIPTION	QTY.
1	PS01153	HAND GUARD LINK	1
2	A 04089	GUIDE BAR ADJ. KIT	1
3	81089 2	NUT - HEX (10-24)	2
4	A 95727 C	COVER - DRIVE CASE	1
5	04034	SAWDUST SHIELD	1
6	95154	RIVET - PAN HD (.187 X .381)	1
7	98458	PIN (5M X 18MM)	1
8	98461	SCREW - SHOULDER (M5)	1
9	PS 87831	PIN - SHOULDER DOWEL	1
10	01820	RING - SNAP	1
11	02801	DECAL - HANDGUARD	1
12	98740	HANDGUARD	1
13	70399	PLATE - G/BAR (INNER)	1
14	70400	PLATE - G/BAR (OUTER)	1
15	98457	NUT (5MM)	1
16	63203	WASHER - BELLEVILLE (12MM)	1
17	98422 A	PIN (.158 DIA)	1
18	A 04823	HANDLE BAR (Flush Cut)	1
19	12021	WASHER- Conical (#10)	2
20	80845	SCREW-Socket Cap (10-32 X 5/8")	2
21	82283	SCREW-Socket Cap (10-24 X 3/4")	2
22	82199	SCREW-Socket Cap (10-32 X 7/8")	1
23	12021	WASHER- Conical (#10)	2
24	A 07435	NEST KIT. (Includes 24, 51, 54, 55 & 56)	1
25	81205	NUT-Lock (#10)	1
26	A 04824	HANDLE BAR (West Coast)	1

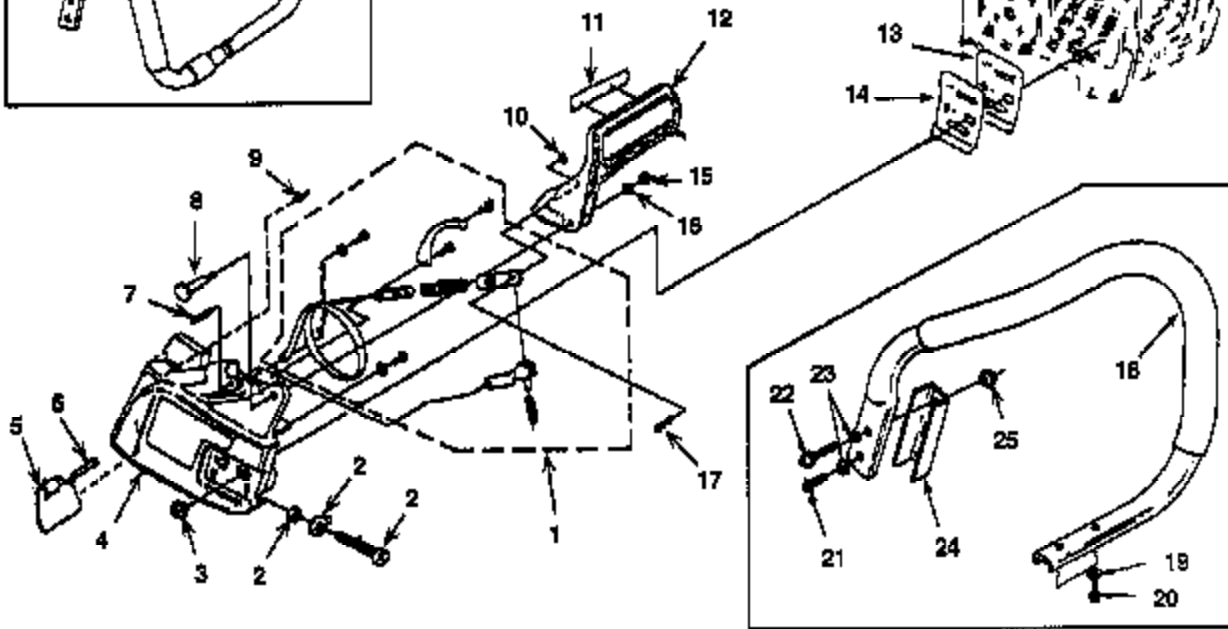
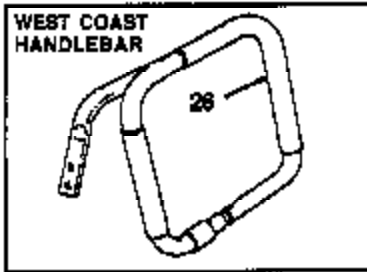
Item No.	Torque Specs		Required Locks
	In/Lbs	Nm	
3	Hand Tight		
8	40-50	4.5-5.6	
16	40-50	4.5-5.6	
20	70-80	7.9-9.0	262 Red
21	80-90	9.0-10.2	262 Red
22	80-90	9.0-10.2	262 Red

Warranty Flat Rate		
Job	Description	Time/Hr.
FK10	Guide Bar Shimms	0.3
FK11	Guide Bar Studs	0.3
FD20	Handle Bar Assembly	0.3
FD97	Hand Guard	0.3

08/06/96

8600

CHAIN BRAKE - HANDLES



ASSEMBLIES

NO.	PART NO.	DESCRIPTION	QTY.
1	A 04888 A	BRAKE BAND ASSY	1
2	A 04889	GUIDE BAR ADJ. KIT	1
3	81089 2	NUT - HEX (10-24)	2
4	A 88727 C	COVER - DRIVE CASE	1
5	04894	SAWDUST SHIELD	1
6	85154	RIVET - PAN HD (.187 X .381)	1
7	88458	PIN (5M X 18MM)	1
8	88461	SCREW - SHOULDER (M5)	1
9	PS 87331	PIN - SHOULDER DOWEL	1
10	01820	RING - SNAP	1
11	02881	DECAL - HANDGUARD	1
12	88740	HANDGUARD	1
13	70989	PLATE - G/BAR (INNER)	1
14	70400	PLATE - G/BAR (OUTER)	1
15	88457	NUT (5MM)	1
16	83203	WASHER - BELLEVILLE (12MM)	1
17	88422 A	PIN - (.156 DIA)	1
18	A 04623	HANDLE BAR (Flush Cut)	1
19	12021	WASHER - Conical (#10)	2
20	80345	SCREW - Socket Cap (10-32 X 5/8")	2
21	82283	SCREW - Socket Cap (10-24 X 3/4")	2
22	82166	SCREW - Socket Cap (10-32 X 7/8")	1
23	12021	WASHER - Conical (#10)	2
24	A 07485	NEST KIT - (Includes 24, 51, 54, 55 & 58)	1
25	81206	NUT - Lock (#10)	1
26	A 04624	HANDLE BAR (West Coast)	1

Item No.	Torque Specs		Required Latches
	In/Lbs	Nm	
3	Hand Tight		
8	40-50	4.5-5.8	
15	40-50	4.5-5.8	
20	70-80	7.9-9.0	262 Red
21	80-90	9.0-10.2	262 Red
22	80-90	9.0-10.2	262 Red

Job	Description	Warranty Flat Rate	
		Time/Hr.	
FK10	Guide Bar Shimms	0.3	
FK11	Guide Bar Studs	0.3	
FD20	Handle Bar Assembly	0.3	
FD10	SL Chain Brakes	0.3	

885492/88