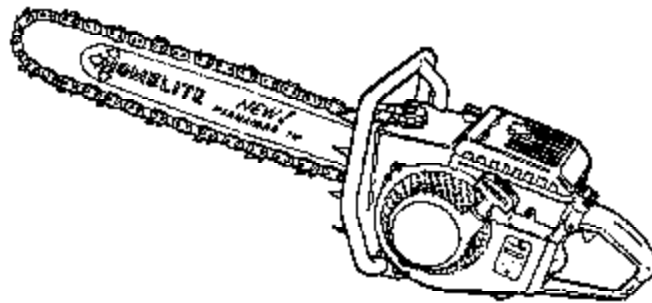


# PARTS LIST

# HOMELITE®

## CHAIN SAW



## SUPER

# 2100

## AUTOMATIC



WALSH  
DIVISION

PRICE .35

PORT CHESTER, NEW YORK, U.S.A. 10573

PART NO. 24690

# SUPER 2100 AUTOMATIC

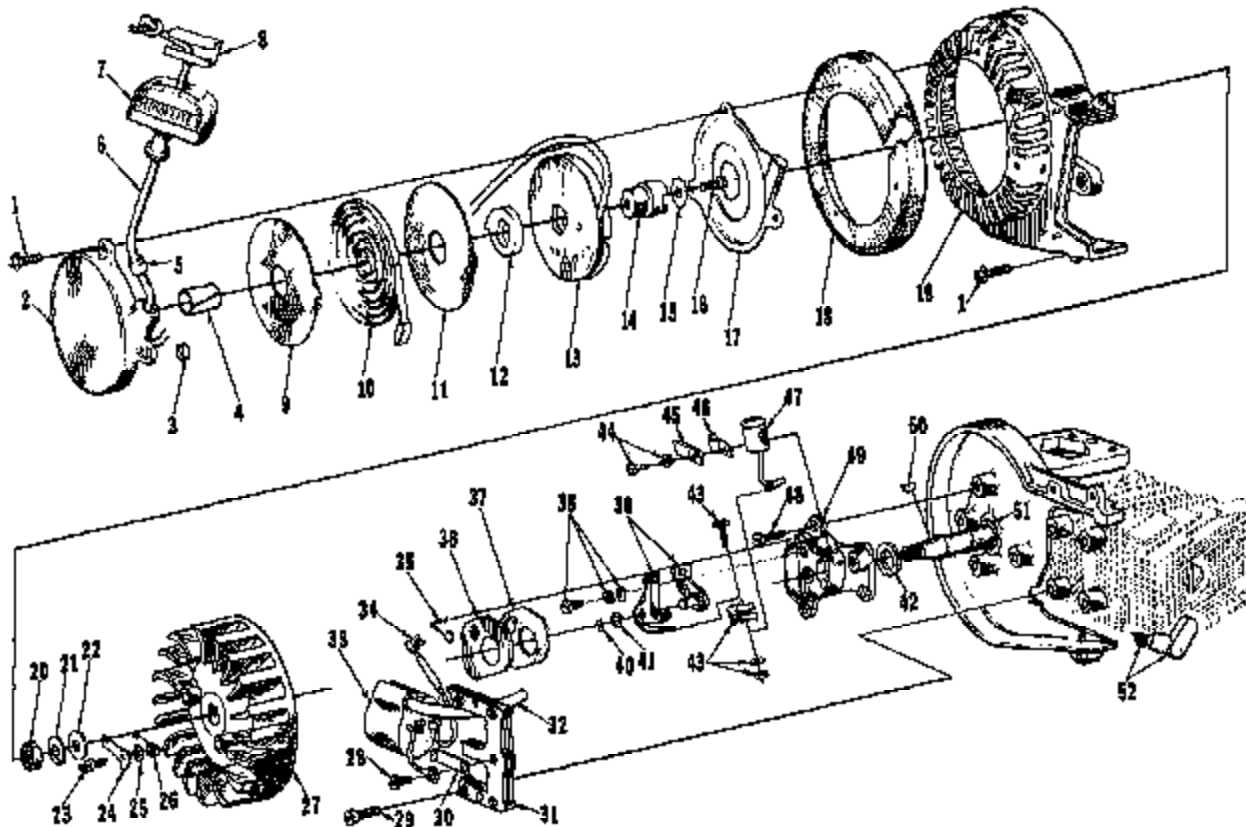


FIGURE 1

No.	Description	Part No.	Qty.	No.	Description	Part No.	Qty.
1	SCREW-hex, 12-24 x 3/4	60467	7	20	SPRING-starter (awl)	65475	2
	STARTER-complete	A-64176-A	1	27	ROTOR-magneto	65480	1
	Includes:			28	SCREW-ground lead	64000	1
2	COVER-starter	A-64178-8A	1	29	SCREW-coil core	64021	1
	Includes:			30	SPRING-coil wedge	64726	1
3	BUSHING-rowind	61830	1	31	CORE-coil	67513	1
4	BUSHING-actuator post	64445-1	1	32	LEAD-hi-tension	67514	1
5	BUSHING-rops	67777	1	33	COIL	67516	1
6	ROPE-starter	68806	1	34	LEAD-ground	A-39037	1
7	GRIP-starter rope	68937	1	35	SPRING-cover	78413	1
8	INBERT-rope retaining	68517	1	36	COVER-breaker box	65370-A	1
9	SHIELD-spring (inner)	65711	1	37	GASKET-cover	65369	1
10	SPRING-rowind	64180-A	1	38	SCREW GROUP-points	71121	1
11	SHIELD-spring (outer)	65712	1	39	POINTS-breaker	A-67513	1
12	LOCK-spring	61049-A	1		Includes:		
13	PULLEY-starter	64050-1	1	40	SPRING-lock	28008	1
14	CLIP-starter	64070-1	1	41	WASHER-point	28028	1
15	WASHER-flat	68703	7	42	PELT-scaling	63071	1
16	SCREW-hex w/block	60648	1	43	TERMINAL BLOCK GROUP	A-38034	1
17	SHIELD-sawdust	64052	1	44	SCREW GROUP-condenser	30261	1
18	SCREEN-fan housing	64643-2	1	45	CLIP-cover	67440	1
19	HOUSING-fan	A-64976-1	1	46	CLAMP-condenser	74614	1
20	NUT-rotor	65373-1	1	47	CONDENSER	63626	1
21	WASHER-lock, 7/16	63019	1	48	SCREW-hex, 12-24 x 9/16	60899	1
22	WASHER-flat, 7/16	64047	1	49	BOX-breaker	67512	1
23	STUD-shoulder	68767-B	2	50	KEY-Woodruff	75078	1
24	PAWL-starter	68758	2	51	WASHER-retaining	65372	1
25	WASHER-flat	63056	2	52	TERMINAL-spark plug	A-60055	1

# SUPER 2100 AUTOMATIC

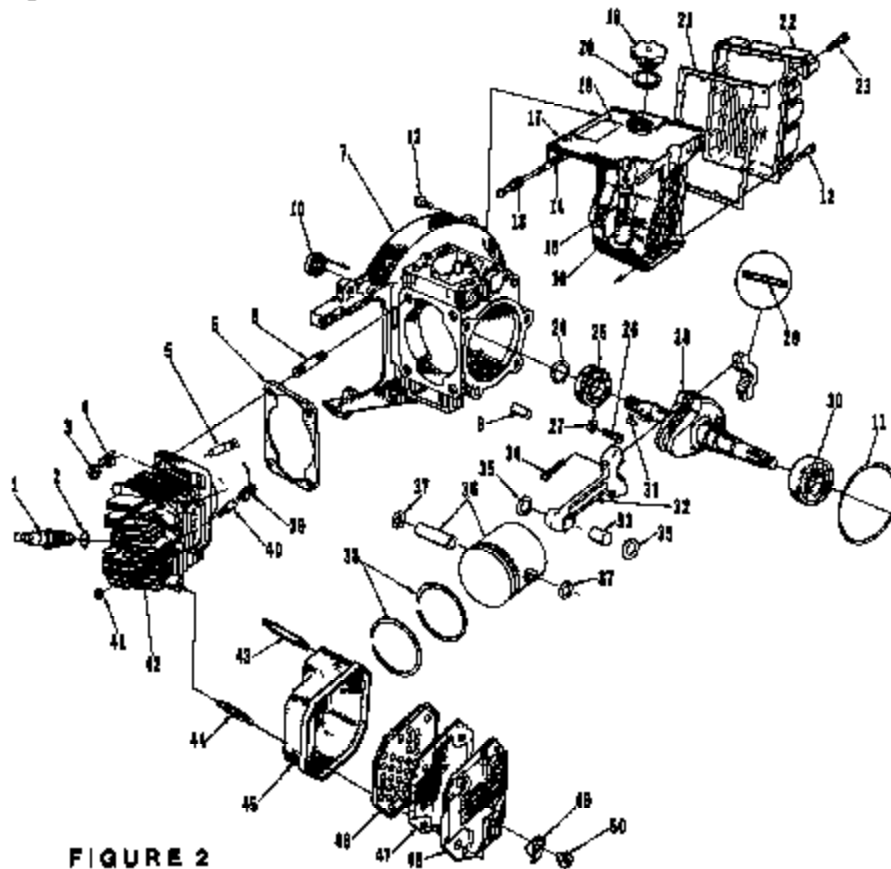


FIGURE 2

No.	Description	Part No.	Qty.	No.	Description	Part No.	Qty.
1	SPARK PLUG	68713-S	1	32	ROD-connecting	A-69975	1
2	Includes GASKET	23018	1		Includes-		
3	NUT-hex, 3/16-20	23412	4	33	BEARING-needle	35661	1
4	WASHER-plate lock	63967-1	4	34	SCREW-rod, cap, 10-32 x 1/2	82157	2
5	VALVE-compression release	A-67165	1	35	WASHER-Chrom1	67671	2
6	GASKET-cylinder	67022	1	*36	PISTON & PIN	A-69241	1
7	CRANKCASE	A-67168-B	1		Includes-		
	Includes-			37	RING-piston pin retaining	61868	2
8	SLID-cylinder	72987	1	*38	PISTON RING	69101	2
9	PIN-down	74302	2	39	SPRING-release valve	63471	1
10	SLAL	58308-A	1	40	POST-spring	65433	1
11	"O" RING	68072	2	41	NUT-flarelock, 9/16-32	81126	1
12	SCREW-hex, 12-24 x 3/4	80867	4	42	CYLINDER	A-67717-1A	1
13	PIPLING-fuel outlet	58364	1	43	STUD-muffler (long)	65119	2
14	LINK-flexible	58806	1	44	BLUD-muffler (short)	64120-2	2
15	FILTER-fuel	A-69251	1	45	BODY-muffler	A-65458-1A	1
16	Includes FILTER-felt	59251-1	1	46	BAPFLE-muffler	65109-A	1
17	TANK-fuel	38172-1	1	47	ARRESTER-spark	A-65583	1
18	DISCAL-caution	64171	1	48	CAP-muffler	A-67014-1	1
19	CAP-fuel tank	A-67110-1	1	49	WASHER-plate lock	65570-1	1
	Includes-			50	NUT-hex, 1/4-20	66806	1
20	GASKET	63368	1		KIT-muffler cap & shield (quiet type)	A-67680	1
	VALVE-vent (not shown)	63718	1		Includes-		
21	GASKET-fuel tank	58367	1		CAP-muffler	A-67014-1	1
22	COVER-fuel tank	30020-2	1		KIT-muffler	65806	1
23	SCREW-rod., 9/16 x 1/2	80311	15		SHIELD-muffler	65807-2	1
24	LINK-retaining	58118-A	1		SCREW-hex hd., 12-24 x 1-11/16	58801	2
25	BLARING-ball	38110-B	2		SCREW-pan hd., 10-32 x 1/8	80574	2
26	SCREW-bearing retaining	19218-3	2		WASHER-flat, F10	84011-1	2
27	WASHER-lock	81061	2				
28	CRANKSHAFT	A-60187	1		Accessory		
29	ROLLER-needle (set of 26)	A-69058	1		Kit-heat exchanger (not shown)	A-67608	1
30	BEARING-ball	61958-S	1		Includes-		
31	KEY-Woodruff	75078	1		SCREW-pan hd., 10-32 x 7/16	80578	2

\* Denotes new parts

# SUPER 2100 AUTOMATIC

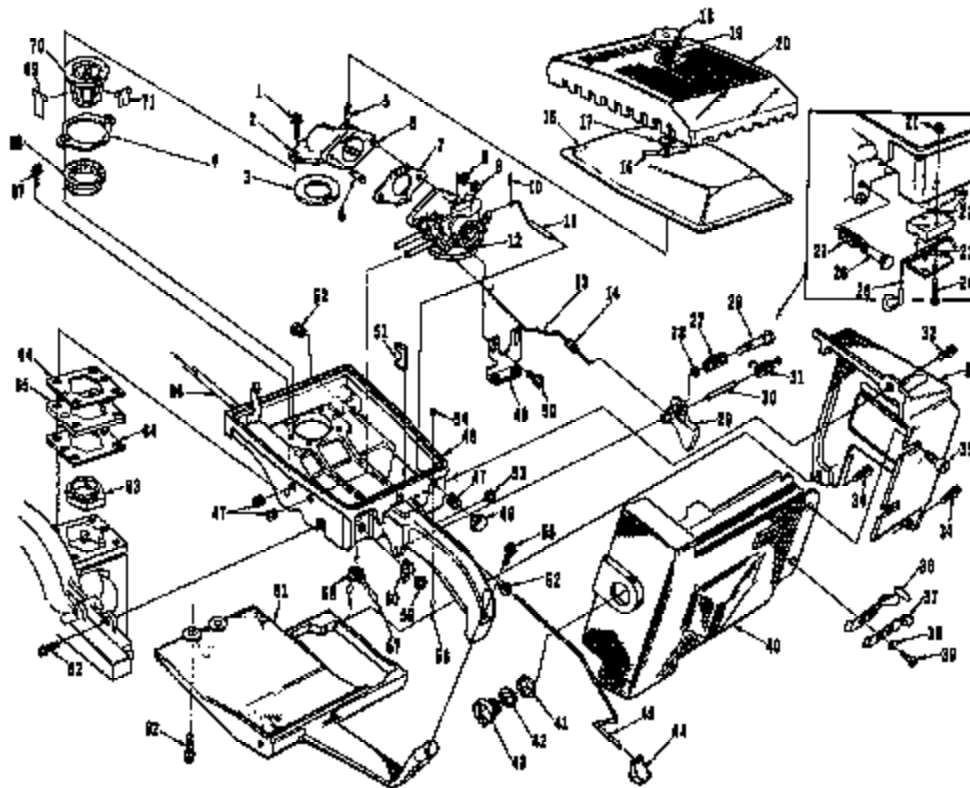


FIGURE 3

No.	Description	Part No.	Qty.	No.	Description	Part No.	Qty.
1	SCREW-hex, 12-24 x 1-1/4	80894	2	37	CLAMP-lower	65755-1	1
2	MANIFOLD-intake Includes:	A-66945-B	1	38	WASHER-flat, #10	84000-1	2
3	GASKET-manifold	07121	1	39	SCREW-pan, 6-32 x 1/4	88150	2
4	GASKET-reed retainer	66603	1	40	SHIELD-cylinder Includes:	A-68121	1
5	STUD-cover mounting	68261	1	41	RING-retaining	68005	1
6	STUD-carburetor mounting	27484	2	42	"O" RING	68891	1
7	GASKET-carburetor	63655-A	1	43	SCREW-cylinder shaft mounting	68006	1
8	WASHER-lock, 1/4	89000	2	44	BUTTON-oil pump rod	68367	1
9	NUT-hex, 1/4-20	81013-1	2	45	ROD-oil pump	68368-B	1
10	PIN-cotter	86324	1	46	BUTTON-choke	67289-1	1
11	ROD-choke	A-58354	1	47	GROMMET	58302	1
12	CARBURETOR (HL-273A)	A-07180	1	48	HANDLE-throttle Includes:	A-65760-A	1
13	ROD-throttle	59338-A	1	49	BRACKET-carburetor	67208-1	1
14	BODY-throttle rod	58318	1	50	SCREW-hex, 10-32 x 5/16	82275	4
*15	FILTER ELEMENT-air	A-68006	1	51	STOP-pump rod	68030	1
16	Includes: GROMMET-rubber	63878	1	52	BUSHING-oil pump rod	68929	2
17	RING-retaining	68319-A	1	53	BUSHING-throttle latch	58064	1
18	NUT-cover mounting	A-59229	1	54	WASHER-felt	03280	1
*19	"O" RING	09052	1	55	SCREW-hex, 1/4-20 x 1-1/4	80912	1
20	COVER-air filter	58230-1	1	56	PIN-cotter	86301	1
21	NUT-flaxlock, 6-32	81126	2	57	SLEEVE-grounding switch	69032	1
22	GUIDE-lever	65403-1	1	58	SWITCH-toggle	A-57950-B	1
23	PLATE-lever guide	64885-1	1	59	includes: NUT	72084-A1	1
24	SCREW-tilt, 6-32 x 5/8	80481	2	60	PLATE-indicating	72080-A	1
25	LEVER-compression release	64984-A	1	61	BRACE-throttle handle	64837-A	1
26	PIN-throttle latch	68404	1	62	SCREW-hex, 12-24 x 3/4	80887	3
27	SPRING-latch pin	68406	1	63	BLOCK-filler	07117	1
28	RING-retaining	68400	1	64	GASKET-carburetor chamber	64841	2
29	TRIGGER-throttle	58181-A	1	65	SPACER	64840	1
30	SHAFT-trigger	58353	1	66	LINE-fuel	56080	1
31	SPRING-trigger	58352-A	1	67	SCREW-hex, 12-24 x 1	80884	4
32	SCREW-hex, 12-24 x 5/8	80076	1	68	RETAINER-reed	64834	1
33	SHIELD-muffler	68807-2	1	69	REED	63368-A	6
34	SCREW-hex, 12-24 x 1-11/16	68968	2	70	SEAT-reed valve	64833-1	1
35	SCREW-hex, 10-32 x 3/8	80670	2	71	REED-split	67107-A	1
36	CLAMP-upper	65754-1	1				

\* Denotes new parts

4

ALWAYS FURNISH MODEL AND SERIAL NUMBER WHEN ORDERING PARTS.

# SUPER 2100 AUTOMATIC

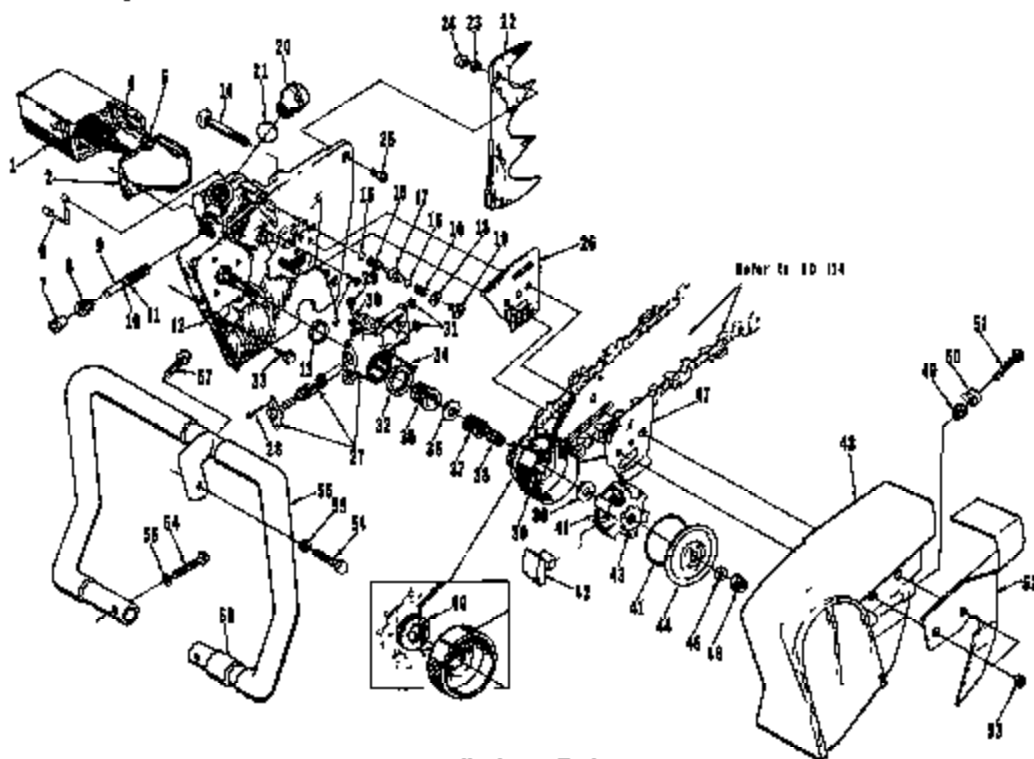
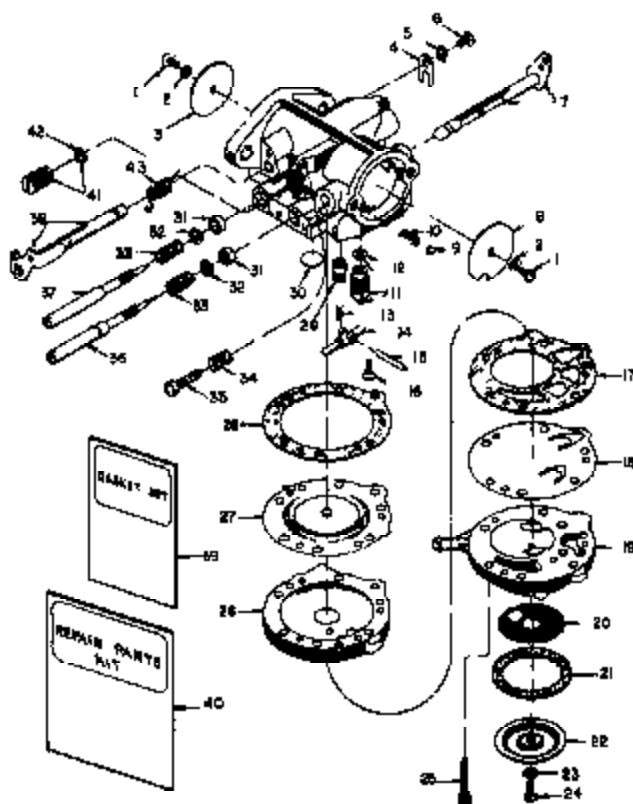


FIGURE 4

No.	Description	Part No.	Qty.	No.	Description	Part No.	Qty.
1	RESERVOIR-oil	A-58311-A	1	33	SCREW-hex, 1/4-20 x 13/16	82207	5
2	Includes GASKET-oil reservoir	67123	1	34	SCREW-pun 8-32 x 1/2	80560	1
3	SCREW-fil, 8-32 x 3/4	82136	3	35	WORM-oil pump	61893	1
	PIN-cotter (not shown)	86307	1	36	WASHER-thrust	76438	2
4	FILTER-oil	A-64203	1	37	BEARING-needle caged	65491	1
5	LINE-oil pickup	59074	1	38	RACE-inner	65148	1
6	LINE-oil pickup	A-64018	1	*39	DRUM & HUB (8x9 splined)	A-68201	1
7	CONNECTOR-pump rod	67118	1		DRUM & HUB (7 splined) Note 1	A-68727	1
8	NUT-plunger rod	67128	1		Includes		
9	PUMP-manual	A-68061-A	1		BUSHING-clutch	68122-1	1
10	Includes "O" RING	59074	1	40	SPROCKET-splined		
11	"O" RING	58106	1		,404 pitch, 8 teeth	65960	1
12	DRIVECASE	A-68100	1		1/2 pitch, 6 teeth (optional)	67017	1
	Includes:			*41	SPRING-clutch	68392	2
	TUBE-oil (not shown)	59083	1	*42	SHOE-clutch	56076-0	6
13	SEAL	56256-A	1	*43	SPIDER-clutch	67591-1	1
14	BOLT-guide bar	58331	2	44	COVER-clutch	66838-A	1
15	BALL-steel	80527	2	45	WASHER-flt	64027	1
16	SPRING-shock valve	59022	2	46	NUT-hex, 3/8-24	81192	1
17	SEAT-valve	A-67959	1	47	PLATE-guide bar (outer)	67670	1
	Includes "O" RING (not shown)	68106	1	48	COVER-drivecase	67213-2	1
18	GASKET-valve cap	67123	1	49	NUT-hex lock, 5/16-18	81123	1
19	CAP-shock valve	67858	1	50	PIN-adjusting	73011-1	1
20	CAP-oil filler (vented)	A-68217-A	1	51	SCREW-rod, hd, 5/16-18 x 2-1/8	82238	1
	Includes VALVE-vent (not shown)	63718	1	52	PLATE-guard	67104-1	1
21	GASKET	56607	1	53	NUT-hex, 3/8-16	81080-2	2
22	KIT-spiked bumper	A-63089	1	54	SCREW-hex, 5/16-18 x 1-1/2	80087	1
	Includes:			55	WASHER-lock, 5/16	81001	1
	WASHER-lock, 1/4	86009	2	56	HANDLE BAR-wrap around	A-68208-1	1
24	NUT-hex, 1/4-20	81053	2	* 57	HANDLE BAR-flush cut (optional)	A-68233-1	1
25	SCREW-flat, 1/4-20 x 3/4	80053	2		Includes		
26	PLATE-guide bar (inner)	67659	1		SCREW-hex, 5/16-18 x 1	80108	1
27	PUMP-automatic oil (long stroke)	A-67579	1	*58	BUSHING-handle bar	68117	1
28	PUMP-automatic oil (short stroke)	A-64073-A	1				
	Includes SCREW-pun, 1-40 x 1 1/4	80919	2				
29	SCREW-nut	64102-A	1				
30	GASKET-cam screw	58736	1				
31	"O" RING	59074	2				
32	SEAL-left	58926	1				
				note 1	A-68727 Drum & Hub must be used with Bushing 68122-1		

\* Denotes new parts

# SUPER 2100 AUTOMATIC



A-67130 HL 273A

No.	Description	Part No.	Qty.	No.	Description	Part No.	Qty.
1	SCREW-rd., 4-40 x 1/4	† 80591	2	23	GASKET-strainer cover screw	28098	1
2	WASHER-lock	† 83008-1	2	24	SCREW-pump cover	† 68626	1
3	SHUTTER-throttle	87478	1	25	SCREW-body w/lockwasher	55316	6
4	CLIP-throttle shaft	73086	1	26	COVER-main diaphragm	A-58533	1
5	WASHER-lock, #8	88000	1	27	DIAPHRAGM-main control	† 57829	1
6	SCREW-flat hd., 8-32 x 6/16	73088	1	28	GASKET-cover diaphragm	67824	1
7	SHAFT & LEVER-choke	A-84927	1	29	NOZZLE-main	A-67479	1
8	SHUTTER-choke	54625	1	30	PLUG-expansion	† 30818	1
9	BALL-check, 5/32 diameter	28627	2	31	PACKING-adjusting screw	78733	2
10	SPRING-choke friction	78284	1	32	WASHER-adjusting screw	75735	2
11	NEEDLE & SEAT	A-64628	1	33	SPRING-adjusting needle	† 73075	2
12	GASKET-inlet seat	55344	1	34	SPRING-throttle stop	† 28064	1
13	SPRING-control lever	† 65803	1	35	SCREW-idle stop	† 71509	1
14	LEVER-inlet control	† 55747	1	36	NEEDLE-adjusting (main mixture)	87477	1
15	PIN-fulcrum	† 84822	1	37	VALVE-needle (idle mixture)	58880	1
16	SCREW-fulcrum pin retaining	† 58992	1	38	SHAFT & LEVER-throttle	A-57490	1
17	GASKET-pump diaphragm	58529	1	39	GASKET & PACKING SET	† 88867	1
18	DIAPHRAGM-fuel pump	† 67729	1	40	REPAIR PARTS KIT	88863	1
19	BODY-fuel pump	60265	1	41	VALVE-governor	A-56891	1
20	SCREEN-fuel inlet	† 68627	1	42	GASKET	74060	1
21	GASKET-pump strainer	55751	1	43	SPRING-throttle return	† 64624	1
22	COVER-strainer	58828	1		GASKET & DIAPHRAGM	63599	1

† Indicates contents of Repair Parts Kit

# SUPER 2100 AUTOMATIC

## Tools

23373-4	COLLAR-bearing installation
22820-2	COLLAR-main bearing installation
A-23137	JACKSCREW-clutch
	Includes:
84035	WASHER-flat, 1/2 1
A-23672	JACKSCREW-magneto
	Includes:
84035	WASHER-flat, 1/2 1
24207-1A	PLATE-crankshaft aligning
24397-1	PLUG-bearing installation (conn. rod)
24357-1	PLUG-seal assembling (crankcase)
23671	PLUG-seal assembling (drivecase)
23384	PLUG-seal installation (drivecase)
A-23960	PULLER-magneto rotor
	Must be used with:
81109-2	NUT-flexloc 2
A-24136	REAMER-valve seat
23136-2	SLEEVE-bearing & shaft installation
23390	SLEEVE-crankshaft assembling
23382	SPACER-crankshaft assembling
A-24284	WRENCH-combination
23528	WRENCH-socket screw (conn. rod)

## Decal

23742	(Universal replacement) composed of "Direct Drive", "Gear Drive", "Starting Instructions", and two "Homelite" (letters 1/4" and 1/2" high)
-------	--

## Paint

22772	SPRAY CAN-black
23475	SPRAY CAN-red
23488-B	LOCTITE

Part No.	Description	Qty.	Part No.	Description	Qty.	Part No.	Description	Qty.	Part No.	Description	Qty.
10238-3	Screw-bearing	2	A-00533	Cover-diaphragm	1	00370-A	Cover-blk. box	1	00603	Kit-repair parts	1
22772	Paint-black	1	A-50843	Kit-spiked bumper	1	00371	Felt-sealing	1	00713-B	Spark Plug	1
22920-2	Collar-bearing	1	50900	Needle-Idle Adj.	1	00372	Washer-retaining	1	A-00727	Drum & Hub	1
23136-2	Sleeve	1	00756	Paul-starter	2	00373-I	Nut-rotor	1	00891	"O" Ring	1
A-23137	Jackscrew-club	1	00707-B	Stud-shoulder	2	00378	Spring-pawl	2	*00952	"O" Ring	1
23173-4	Collar	1	00763	Washer-retaining	1	00383	Bearing-needle	1	A-00958	Roller-needle	1
23182	Spacer-c/shaft	1	00906	Rops-starter	2	00412	Stud-muffler	2	00992	Sleeve	1
23304	Plug-seal inst.	1	00929	Bushing	3	00453	Post-spring	1	*00993	Piston Ring	2
20990	Sleeve	1	00930	Stop-oil pump rod	1	00454	Spring	1	*A-00997	Crankshaft	1
23473	Paint-red	1	A-50844	Terminal Block	1	A-00456-1A	Body-muffler	1	*A-00998	Drum & Hub	1
23488-B	Loctite	1	00962	Screw	2	00458-A	Baffle-modifier	1	A-00998-1	Handle Bar	1
23528	Wrench	1	00982	Solder	1	00463-I	Guide-lever	1	*A-00998-1	Handle Bar	1
23671	Plug-drive case	1	00982	Spring-check valve	2	00464	Rotor-magneto	1	*A-00998	Piston & Pin	1
A-23672	Jackscrew	1	00923	Tube-oil line	1	00578-1	Washer-tab lock	4	*A-00998	Filter Element	1
23742	Decal	1	A-00991	Lead-group	1	A-00583	A restarter-spark	1	*00997	Bushing-handle bar	1
A-23900	Puller-magneto	1	00984	Bushing-rod	2	00580	Spring Tension	1	71509	Screw-Idle Stop	1
A-24100	Resistor	1	00974	"O" Ring	2	00571	Shield-inner	1	72004-A1	Nut	1
24307-1A	Plate-c/shaft	1	A-00989	Nut-cover	1	00572	Shield-outer	1	72005-A	Plate-"On-Off"	1
A-24284	Wrench-Comb.	1	00980-1	Cover-air filter	1	A-00700-A	Handle-throttle	1	72787	Stud	1
24367-1	Plug-seal	1	A-00981	Filter Assembly	1	00554-I	Clamp-upper	1	73075	Spring-adj. needle	2
24387-1	Plug-bearing	1	00959-1	Filter	1	00555-I	Clamp-lower	1	73086	Clip-shaft	1
20989	Gasket	1	00925	Body-fuel pump	1	00580	Nut	1	73088	Screw-flat	1
25412	Nut-hex	4	00938-A	Rod-throttle	1	00507-2	Shield-muffler	1	73204	Spring	1
25627	Ball-check	4	00974	Lane-ol	1	00580	Bushing	1	74000	Casket	1
27464	Stud-carb.	2	00976	Gasket	1	A-00601	Valve	1	74332	Pin-dowel	2
28008	Spring-lock	1	00920-2	Cover-fuel tank	1	00593	Casket	1	74314	Clamp-condenser	1
28020	Washer-point	1	00928	Seal-felt	1	A-00948-B	Manifold-intake	1	75076	Key-rotor	1
28064	Spring-throttle	1	A-00989	Kit-spiked bumper	1	00590	Sprocket	1	75733	Packing	2
28090	Gasket-cover	1	00100-A	Rod	6	A-00704-1	Cap	1	76706	Washer	2
30061	Screw Group	1	00920	Felt	1	00707	Sprocket	1	78413	Spring-cover	1
30610	Plug	1	00626	Condenser	1	00702	Gasket-cylinder	1	78421	Screw Group	1
A-30605	Terminal	1	00666-A	Gasket-carb.	1	00707-A	Reed-split	1		FASTENING PARTS	
*55078-9	Shoe	8	A-00717-A	Cap-oil filler	2	00717	Block-filler	1	80063	1/4-20 x 3/4	2
60216	Screw	8	00718	Valve-check	2	00718	Connector	1	00087	5/16-18 x 1-1/2	3
60244	Gasket	1	00725	Spring-coil wedge	1	00721	Gasket-manifold	1	00088	5/16-18 x 1	1
55013-1	Pin-guide bar	1	00679	Grommet-rubber	1	00722	Gasket	1	00461	8-32 x 5/8	2
55064	Bearing-needle	1	00693	Worm-gear	1	00723	Gasket	1	00513	8 x 1/8	15
55080	Lane-fuel	1	A-04010	Lane-oil pickup	1	00724	Nut-plunger	1	00500	8-32 x 1/2	1
00747	Lever	1	04021	Saw-oil core	4	A-00719	Carburetor	1	00578	10-32 x 7/16	2
00701	Gasket	1	04027	Washer-flat	1	00717	Bushing	1	00578	10-32 x 3/8	2
00605	Flexible line	1	04049-A	Lock	1	00708-1	Bracket-carb.	1	00581	4-40 x 1/4	2
00937	Crimp-ropes	1	04050-1	Pulley-starter	1	00723-2	Cover-d/case	1	00046	10-32 1 1/2	1
00182	Washer-outer	2	04052	Shield-saw dust	1	00999-1	Plate-guard	1	00676	12-24 x 3/8	1
00258-A	Cover-clutch	1	A-04073-A	Pump-oiler	1	00740	Clip-cover	1	00804	12-24 x 1	4
00258-A	Seal	2	04090	Screw	1	A-00745	Valve-comp.	1	00667	12-24 x 3/4	14
00607	Gasket	1	04102-A	Screw-oam	1	A-00748-B	Crankcase	1	00889	12-24 x 8/16	1
00720-1	Button-rod	1	A-04140-1	Cap-tank	1	04077	Needle	1	00912	1/4-20 x 1-1/4	1
A-00700-3	Switch-toggle	1	04144	Decal-caution	1	04078	Butter	1	00919	4-40 x 1/4	2
00720	Diaphragm	1	A-04178-3A	Cover-starter	1	A-00749	Nozzle	1	00984	12-24 x 1-1/4	2
00924	Gasket-dis.	2	04180-A	Spring-rewind	1	A-00740	Shaft & Lever	1	00113-1	Nut-1/4-20	2
00929	Diaphragm	1	A-04204	Filter-oil	1	00752	Box-breaker	1	01054	Nut-1/4-20	2
00172-4	Tank-fuel	1	04202-2	Stud-muffler	2	A-00751	Points-breaker	1	01080-2	Nut-1/8-16	2
00103-A	Trigger-Throttle	1	04418-1	Bushing-post	1	00754	Lead-br-tension	1	01108-2	Nut-Flxlock	2
00190-B	Bearing-ball	1	04022	Pin-fulcrum	1	00755	Core-coil	1	01128	Nut-5/16-18	1
00308-A	Seal-shaft	1	04024	Spring	1	00758	Coil	1	01126	Nut-6-32	1
00310-A	Ring-retaining	4	04025	Stutter-choke	1	A-00759	Pump	1	01103	Nut-1/8-24	1
00304	Bolt-guide bar	2	A-04027	Shaft & Lever	1	*00760-1	Spider	1	00150	8-32 x 3/4	1
00352-A	Spring-throttle	1	A-04028	Needle & Seat	1	A-00760	Kit-exchanger	1	00157	10-32 x 3/4	2
00363	Shaft-trigger	1	04033-1	Seat-reed valve	1	00760	Plate-guide bar	1	00158	6-32 x 1/4	2
A-00384	Rod-choke	1	04334	Retainer-reed	1	00760	Plate-guide bar	1	00176	10-32 x 5/16	4
00356-B	Rod-oil pump	1	04027-4	Brace	1	00773	Washer-thrust	2	00201	1/4-20 x 1 1/16	5
00377	Button-oil rod	1	04040	Spacer	1	A-00768	Muffler Kit	1	00219	5/16-18 x 2-1/8	1
00381	Stud-cover	1	04041	Gasket	2	A-00771	Red-camshaft	1	00000	Washer-#8	1
00362	Grommet	3	04043-B	Screen	1	A-00774-3A	Cylinder	1	00003	Washer-5/16	1
00364	Fitting-fuel outlet	1	04058-8	Bearing-ball	1	00786	Cap	1	00008-1	Washer-#4	2
00367	Gasket	1	04062	Ring-retaining	2	A-00790	Seat-valve	1	00002	Washer-1/4	1
00404	Pin-throttle lock	1	A-04075-1	Hanging-fan	1	A-00801-A	Pump-manual	1	00019	Washer-7/16	1
00403	Spring	1	A-04076-A	Starter	1	00802	"O" Ring	1	00056	Washer-#12	2
00406	"O" Ring	2	04079-1	Clip-starter	1	00803	Ring-retaining	1	00061	Washer-lock	2
00400	Ring-retaining	1	04084-A	Lever	1	00806	Screw-mounting	1	04003-1	Washer-#10	2
00517	Insert	1	04085-1	Plate-cover guide	1	A-00810	Drivecase	1	01035	Washer	1
00523	Screw-cover	1	05148	Ratio-innot	1	A-00811	Shield-cylinder	1	01049	Washer-flat	1
00526	Cover-stator	1	04086	Gasket	1	*00822	Spring-clutch	2	00001	Pin-collar	1
00527	Saw-oil pump	1	04087-1	Washer-lock	1	04282-1	Bushing-clutch	1	00000	Pin-collar	1
00529	Gasket-fuel pump	1	04088	Gasket-cover	1	00857	Casket-Set	1		* Denotes new parts	

