

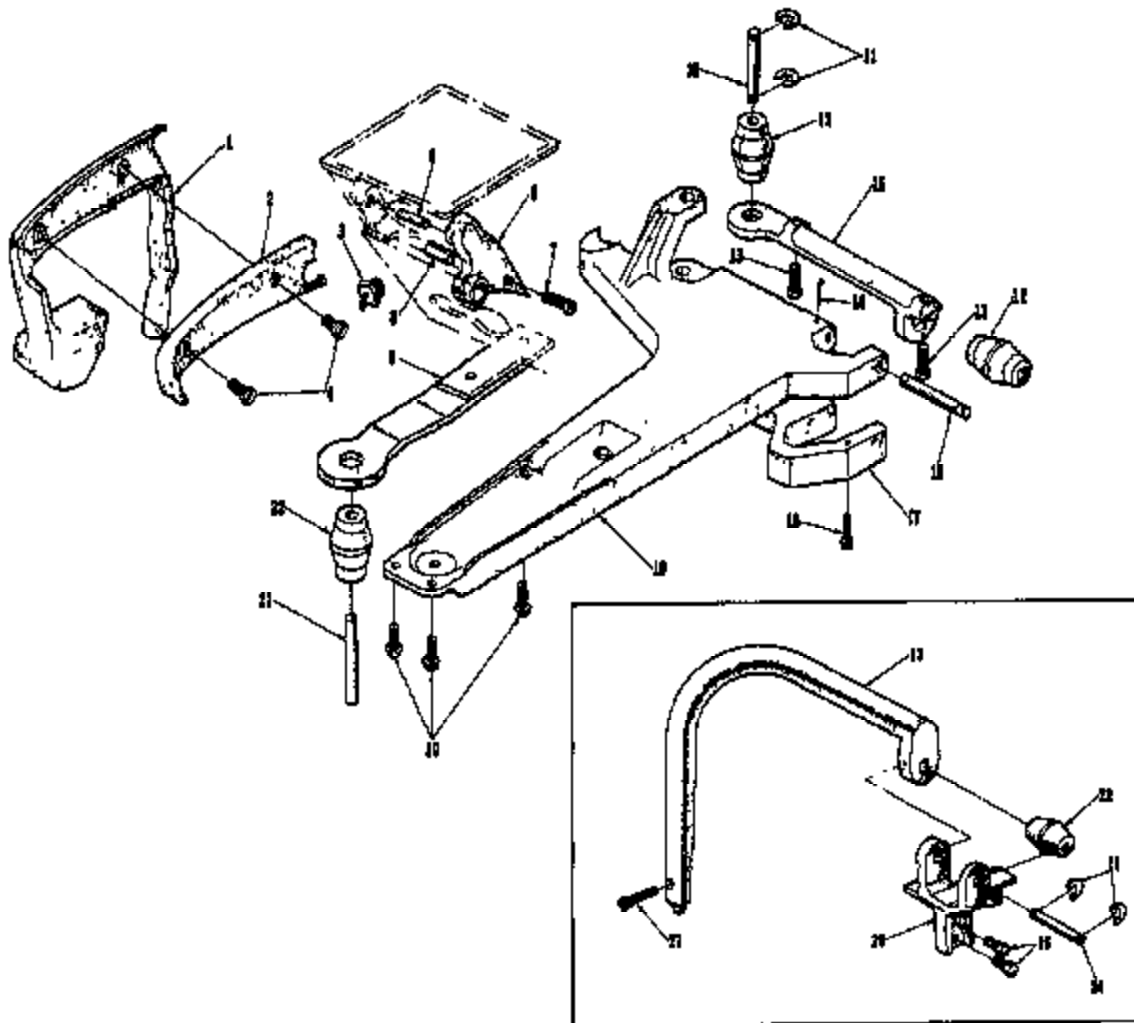
HOMELITE®



**E-Z
&
E-Z AUTOMATIC**

FLOATING POWER

PARTS GROUP



No.	Description	Part No.	Qty.	No.	Description	Part No.	Qty.
1	HANDLE-vibration mount base	87778-2	1	14	PIN-doffer	86917	1
2	COVER-vibration mount base handle	87788-1	1	16	BRACKET-vibration mount	87780-2	1
3	SWITCH-toggle	A-87817	1	16	PIN-retaining	87782	1
4	SCREW-pan hd. Spinlock, 8-32 x 1/2	80660	2	17	SKID	88740-2	1
5	CHAMBER-carburator (w/connector)	A-88761	1	18	SCREW-fil hd. cap, 8-22 x 5/8	80481-1	1
6	RETAINER-throttle trigger	A-88028	1	19	BASE-vibration mount	87774-2	1
	Includes:			20	SCREW-Spinlock, 12-24 x 5/8	80878	1
7	SCREW-fil hd., 8-32 x 1-1/4	88180	1	21	PIN-retaining	87784	1
8	SPACER	88436	1	22	MOUNT-vibration isolator	87888	2
	BUSHING (not shown)	87752	1	23	HANDLE BAR	A-87889-1	1
9	PIN	87924	1	24	PIN-retaining	87785	1
10	PIN-retaining	87789	1	25	SCREW-Spinlock, 10-32 x 5/8	80704	1
11	"E" RING	87887	4	26	BRACKET-handle bar	87776-2	1
12	MOUNT-vibration isolator	87974	2	27	SCREW-sec. hd. cap, 1/4-20 x 1-1/8	80854	1
13	SCREW-Spinlock, 10-32 x 3/4	80685	2				

Super EZ Automatic & Super XL Mini Automatic

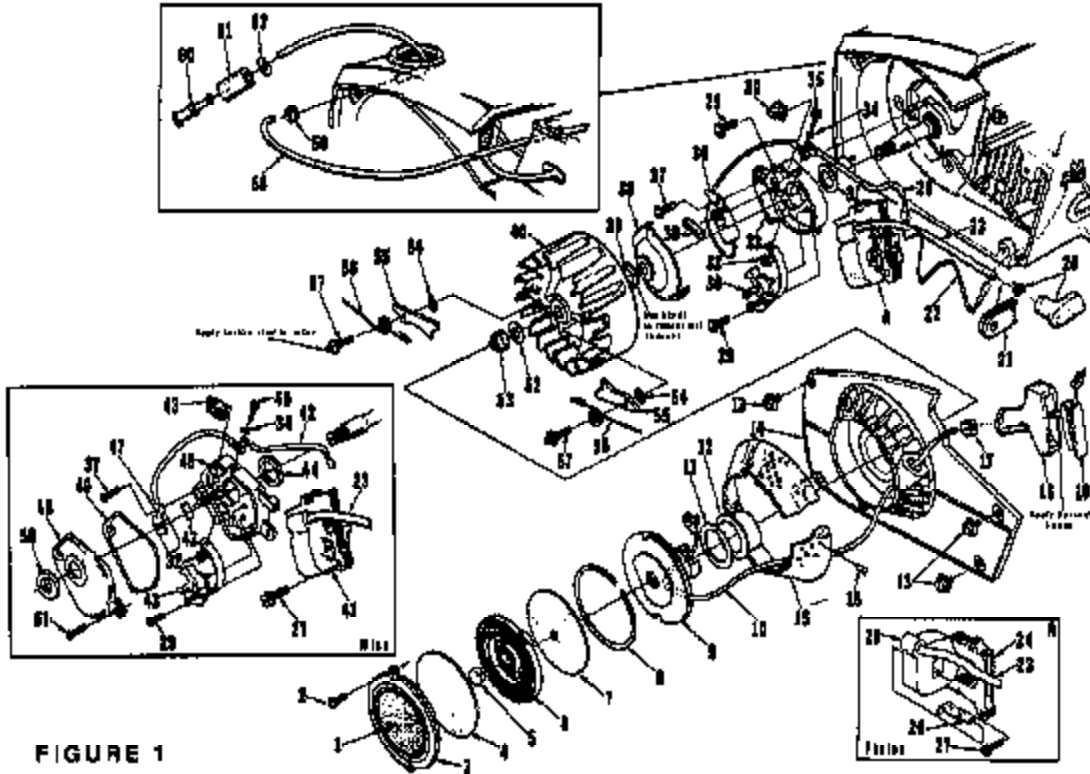


FIGURE 1

No.	Description	Part No.	Qty.	No.	Description	Part No.	Qty.
* 1	DECAL-starter cover (EZ Auto)	66920	1	24	WASHER-lock, #8	83004-1	1
* 2	DECAL-starter cover (XL Mini Auto)	66906	1	25	SCREW-hex, 8-32 x 7/16	(P) 67228	1
3	SCREW-pen, 8-32 x 3/8	90577	2	26	CONDENSER	(P) 66286	1
4	COVER-starter	66095-2	1	27	SCREW-pen, 8-32 x 1/2	80630	1
5	SHIELD-spring (inner)	66113	1	28	COVER-breaker box	(P) A-66210-A	1
6	LOCK-spring	66108	1	29	Includes: SEAL-felt	(P) 66211	1
7	SPRING-rewind	66107	1	30	ROTOR-magneto	(P) 66288	1
8	SHIELD-spring (outer)	66124	1	31	ROTOR-magneto	(W) 66701	1
9	RING-retaining	66125	1	32	COIL & CORE	(W) 66718	1
10	PULLEY & CUP	A-66170	1	33	LEAD GROUP-primary	(W) 66712	1
11	ROPE-starter, 68"	66118	1	34	POINTS-breaker	(W) A-66710	1
12	SHIELD-pulley	67863	1	Includes:			
13	BUSHING-starter cup	66116	1	35	SEAL-felt	(W) 66705	1
14	SCREW-hex, 10-32 x 5/8	60704	4	36	WASHER-thrust (not shown)	(W) 28008	as req'd
15	HOUSING-rewind starter	A-66223-1	1	37	LOCK-breaker arm (not shown)	(W) 28008	1
Includes:				38	BOX-breaker	(W) 66708	1
16	SCREEN-air inlet	66188	1	39	SCREW-hex, 8-32 x 1/2	(W) 66700	1
17	STUD-drive #5	67191	3	40	CONDENSER	(W) 66711	1
18	BUSHING-starter rope	66188	1	41	COVER-breaker box	(W) A-66704	1
19	GRIP-starter rope	66183	1	Includes:			
20	INSERT-rope retaining	66637	1	42	GASKET-breaker box cover	(W) 66774	1
21	TERMINAL-spark plug	A-33065	1	43	SEAL-felt	(W) 66723	1
22	CHROMIUM-14-tension lead	66126	1	44	SCREW-cover mounting	(W) 66715	2
23	LEAD-ground	A-63939	1	45	WASHER-Flat, 5/16	64085-1	1
24	LEAD-14-tension	66606	1	46	NUT-hex, 6/16-24	61112	1
25	COIL-coil	(P) 66688	1	47	WASHER-starter pawl	66110	2
26	COIL-ignition	(P) 66686	1	48	PAWL-starter	66108	2
27	RETAINER-coil	(P) 66667	1	49	SPRING-starter pawl	66120	2
28	SCREW-pull core	64021	2	50	STUD-starter pawl	66109	2
29	LEAD GROUP-primary	(P) 66291	1	51	LINE-fuel	A-66053	1
30	SCREW-pen, 8-32 x 3/8	60871	2	52	Includes: GROMMET	66048	1
31	POINTS-breaker	(P) A-66203-A	1	53	FILTER-foot	A-66920	1
32	Includes: SEAL-felt	(P) 66208	1	54	Includes: FILTER-felt	64083-1	1
33	NUT-hex	65207	1	55	WASHER	64192	1
34	BOX-breaker	(P) 66906-A	1				

Complete magneto must be either Wico or Phelon. Phelon and Wico parts are not individually interchangeable.

ALWAYS FURNISH MODEL AND SERIAL NUMBER WHEN ORDERING PARTS.

Super EZ Automatic & Super XL Mini Automatic

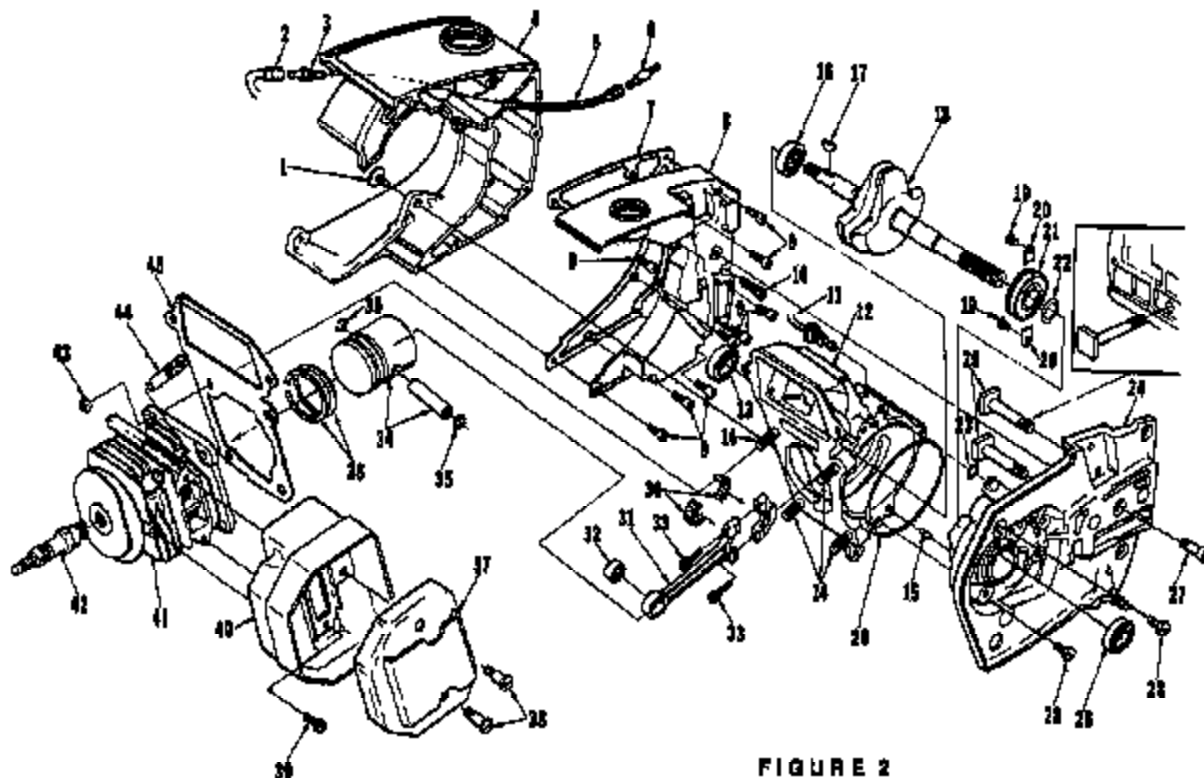


FIGURE 2

No.	Description	Part No.	Qty.	No.	Description	Part No.	Qty.
1	SCREW-retaining	66321	3	26	SCREW-hex, 12-24 x 5/8	80978	3
2	LINE-oil	65137	1	28	"O" RING	65127	1
3	FITTING-oil line	65138	1	30	BEARING-needle (set of 28)	A-67971	1
4	TANK-fuel & oil	66037-2	1	31	ROD-connecting	A-68051	1
5	LINE-oil (pick up)	66340-B	1		Includes:		
6	FILTER-oil	A-65172	1	32	BEARING-needle	68512	1
7	GASKET-fuel & oil tank	65046	1	33	SCREW-sec, 6-32 x 9/16	60805	2
8	COVER-fuel & oil tank	65115-2	1	34	PISTON & PIN	A-68487	1
9	SCREW-til, 8-32 x 5/8	62146	8		Includes:		
10	SCREW-til, 8-32 x 1-7/16	62187	1	35	RING-piston pin retaining	64513	2
11	LINE-oil	A-65214	1	36	PISTON RING	68508	2
12	CRANKCASE	A-66899-A	1	37	CAP-muffler w/shield	A-68950-1	1
	Includes:			38	SCREW-shoulder	64133-A	2
13	SEAL	65019	1	39	SCREW-hex, 10-32 x 3/8	60370	3
14	STUD-cylinder	55871	4	40	BODY-muffler	A-65152-2	1
15	PIN-dowel	65163	1		MUFFLER-diffuser (not shown)		
16	BEARING-roller	65179	1		(Note 1)	†A-68254	1
17	KEY-woodruff	65128	1		Includes:		
18	CRANKSHAFT	66005-2	1		CAP-muffler	† 68253-1	1
19	SCREW-bearing retaining	59704	2		plus items # 38, 39, 40		
20	WASHER-lock special	63905	2		MUFFLER (not shown)	†A-65275	1
21	BEARING-ball	65044-B	1		Includes:		
22	RING-retaining	65046	1		CAP-muffler*	†68064-1	1
23	"O" RING	69074	1		BAFFLE-muffler	†65087	1
24	DRIVECASE	A-65200-A	1		Plus items #38, 39 & 40		
	Includes:			41	CYLINDER-1-9/16 dia (Note 2)	A-67874-B	1
25	BOLT-guide bar	65025	2	42	SPARK PLUG	65130-B	1
26	SEAL	65019	1	43	NUT-hex, 1/4-28	81085-2	4
27	SCREW-til, drivecase retainer	65167	1	44	VALVE-compression release	A-65164	1
	* Denotes new parts			45	GASKET-cylinder	68018	1
	† Optional						

Note 1 - For units with Reed type Muffler, the following are still available: STOP-67433-1A, STUDS-68103-1, BAFFLE-67736, REED-67396 and NUTS-81109-2.

Note 2 - A-67874-B Cylinder must be used with A-66202-A Crankcase and A-65200-A Drivecase for units built after 8/11 13141393

Super EZ Automatic & Super XL Mini Automatic

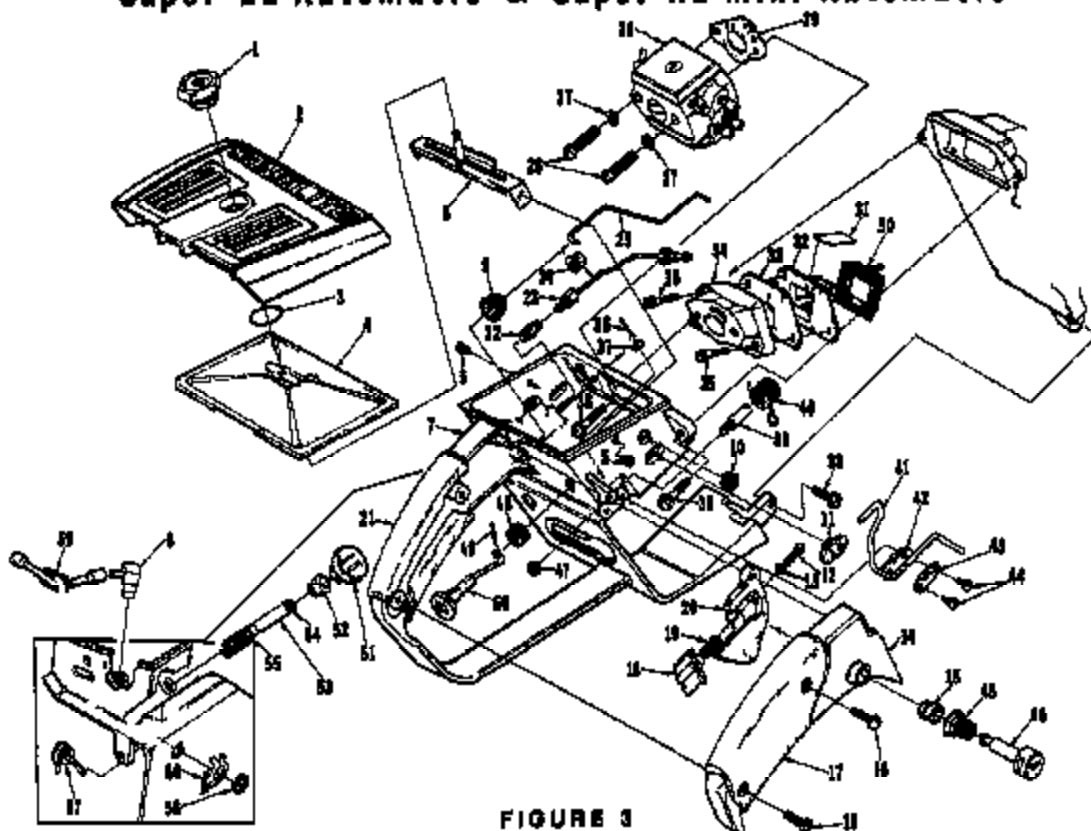


FIGURE 3

No.	Description	Part No.	Qty.	No.	Description	Part No.	Qty.
1	NUT-cover mounting	A-85272	1	29	GASKET-carburetor	85016	1
2	COVER-air filter	85098-B	1	30	RETAINER-reed valve	85011-A	1
3	RING-retaining	85319-A	1	31	REED-valve	85012-A	4
4	FILTER ELEMENT-air	A-85178	1	32	SEAT-reed valve	85010	1
5	SCREW-pan, 8-32 x 3/8	80577	2	33	GASKET-reed valve seat	85014	1
6	BRACKET-air filter cover	A-86123	1	34	MANIFOLD-intake	A-85154-1A	1
7	HANDLE-throttle (FP on page 2)	A-88287-A	1	35	SCREW-shoulder	84349-A	3
	Includes:			36	PIN-cocker, 1/16 x 1/2	86301	1
8	VALVE-check (inlet)	A-86078	1	37	WASHER-felt	88220	1
9	BOOT-throttle rod	87894	1	38	SCREW-hex, 12-24 x 5/8	80478	2
10	GROMMET-idle adjusting	86197	1	39	POST-spring	85023	1
11	GROMMET-"hi-lo"	88196	1	40	SPRING-release valve	85174	1
	LINE-fuel (shown on Fig. 1)	A-88088	1	41	LEVER-release	85173	1
	Includes: GROMMET (Fig. 1)	88046	1	42	PLATE-lever	88092	1
12	SCREW-pan, 8-40 x 1	82108	1	43	CLAMP-lever	88063	1
13	"O" RING	86240	1	44	SCREW-pan, 8-32 x 3/8	80571	2
14	COVER-throttle handle (See Note)	88852-B	1	45	SPRING-throttle latch	84677	1
15	BUSHING	87782	1	46	PIN-throttle latch	85171-A	1
16	SCREW-pan, 8-32 x 1/2	80580	2	47	NUT-hex, #6-32	81126	1
17	GRIP-throttle handle cover	88758	1	48	GROMMET-choke	84882	1
18	STOP-throttle adjustment	85147-A	1	49	PIN-cocker, 1/32 x 1/2	80324	1
19	SPRING-throttle stop	85188	1	50	ROD-choke	85072-1	1
20	TRIGGER-throttle	86031-1	1	51	BUTTON-oil pump	85084	1
21	GRIP-throttle handle	88770	1	52	NUT-plunger	85082	1
22	VALVE-check (outlet)	A-85077	1	53	PLUNGER-oil pump	A-88081-A	1
23	LINE-oil	A-85214	1		Includes: "O" RING	88074	1
24	GROMMET-oil line	85085	1		"O" RING	88408	1
25	ROD-throttle	88036	1	56	PLATE-"on-off"	83910	1
26	SCREW-hex, 10-32 x 1-5/8	82168	2	57	SWITCH-grounding	A-83938	1
27	WASHER-lock, #10	83045	2	58	Includes: NUT-hex	72084-A 1	1
28	CARBURETOR-(HCO-4)	A-88415	1	59	LINE-oil	85197	1

Note - 85042-3B Cover for Throttle Handle is to be used for units without Grips.

ALWAYS FURNISH MODEL AND SERIAL NUMBER WHEN ORDERING PARTS

Super EZ Automatic & Super XL Mini Automatic

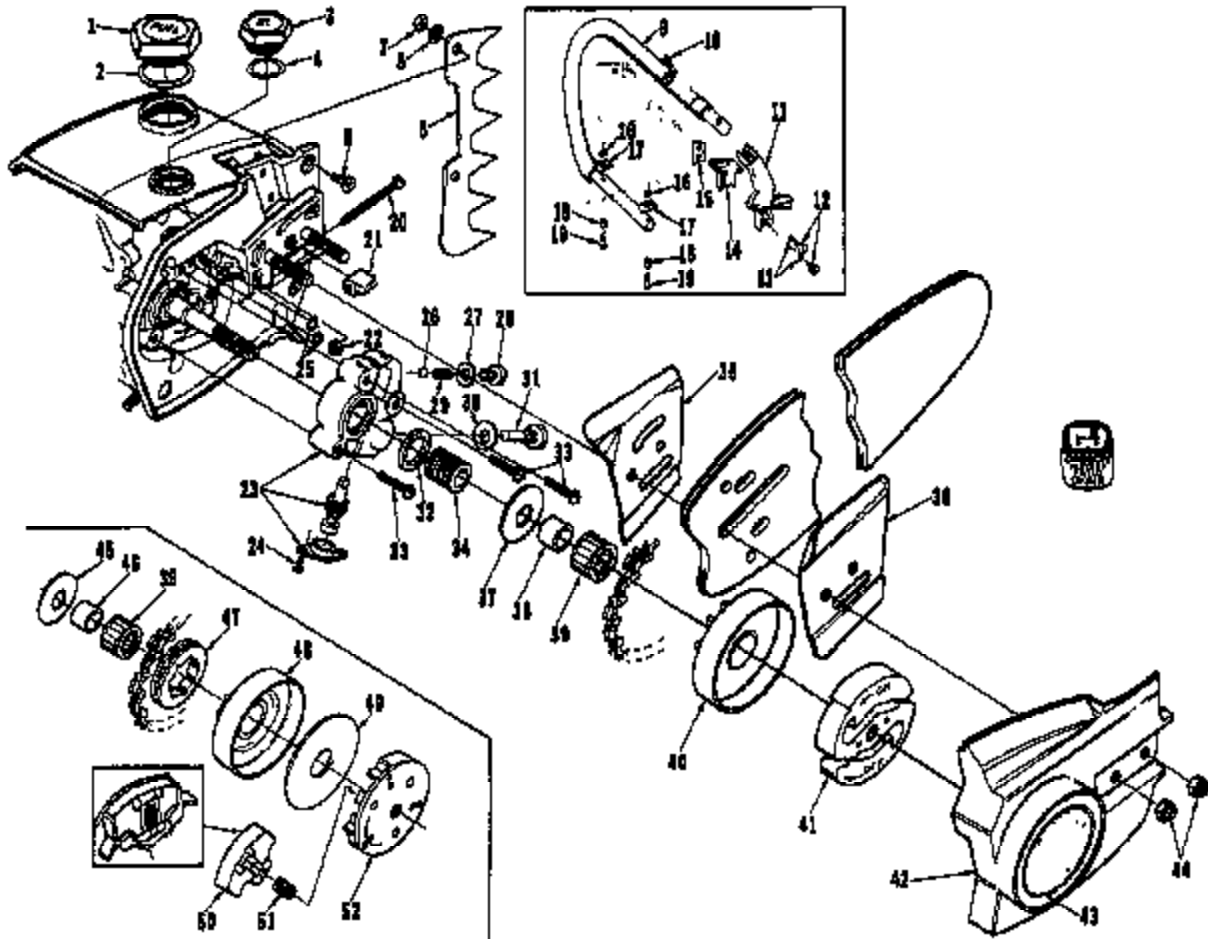


FIGURE 4

Super EZ Automatic & Super XL Mini Automatic

No.	Description	Part No.	Qty.	No.	Description	Part No.	Qty.
* 1	CAP-fuel filler Includes: VALVE-check (not shown)	A-66295-B	1	32	SCREW-pan, 8-32 x 3/4	80587	4
* 2	GASKET-fuel filler cap	68861	1	34	WORM-oil pump	65047-A	1
3	CAP-oil filler (vented) Includes: VALVE-check (not shown)	A-65284-A	1	35	PLATE-guide bar (inner)	63036-B	1
4	"O" RING	65135	1	36	PLATE-guide bar (outer)	60689-A	1
5	KIT-spiked bumper (necessary) Includes:	†A-66181	1	37	WASHER-thrust (outer)	65094	1
6	WASHER-look, #10	†83006-1	2	38	RACE-inner	65746	1
7	NUT-hex, 10-32	†81010-1	2	38	BEARING-needle	64124	1
8	SCREW-flat, 10-32 x 5/8	†80036	2	40	SPROCKET & DRUM	A-65089	1
* 9	HANDLE BAR-Rush cut (FP on page 2) HANDLE BAR-full wrap-around (Note 1)	A-69024-1	1	41	CLUTCH-"S" (Note 3)	68982-1	1
10	SCREW-sec, 10-32 x 7/8	82769	1	42	COVER-drivecase	65131-1	1
11	BRACKET-handle bar	68734-2	1	* 43	DECAL-drivecase cover (EZ Auto)	68921	1
12	SCREW-shoulder	64613-A	2	†	DECAL-drivecase cover (XL Mini Auto)	68907	1
13	GROMMET-handle bar	64473	2	44	NUT-hex, 5/16-18	81196	2
14	MOUNT-shock	65111	1	45	WASHER-thrust (outer) for rimmed sprocket (Note 2)	†65027	1
15	PLATE-handle bar bracket	65032	1	46	RACE-inner (Note 2)	†65985	1
16	PLATE-handle bar	65670	2	47	SPROCKET-rim type (3/8, 7 tooth) (Note 2)	†OM-68210	1
17	PAD-rubber	65124	2	48	HUB & DRUM (Note 2)	†A-65987	1
18	GROMMET	65222	2	49	WASHER-thrust (inner) (Note 3)	†65024-1	1
19	SCREW-shoulder	66121	2		WASHER-thrust (inner) (Note 3)	†65833-1	1
20	SCREW-guide bar adjusting	68175-A	1	50	SHOE-clutch (Note 3)	†65892	1
21	PIN-bar adjusting	65112-1	1	51	SPRING-clutch (Note 3)	†65217	3
22	NUT-fluxlock, 10-32	61109-2	1	52	PLATE-clutch (aluminum) (Note 3)	†62145-1	1
23	PUMP-automatic oil Includes:	A-65212	1		PLATE-clutch (steel) (Note 3)	†67866-1	1
24	SCREW-pan, 4-40 x 1/4	60818	2				
25	"O" RING	68074	2				
26	BALL	65226	1				
27	GASKET-check valve	65144	1				
28	CAP-check valve Includes:	A-68207	1				
29	SPRING-check valve	65017	1				
30	GASKET	65145	1				
31	SCREW-cam	65198	1				
32	SEAL	65142	1				

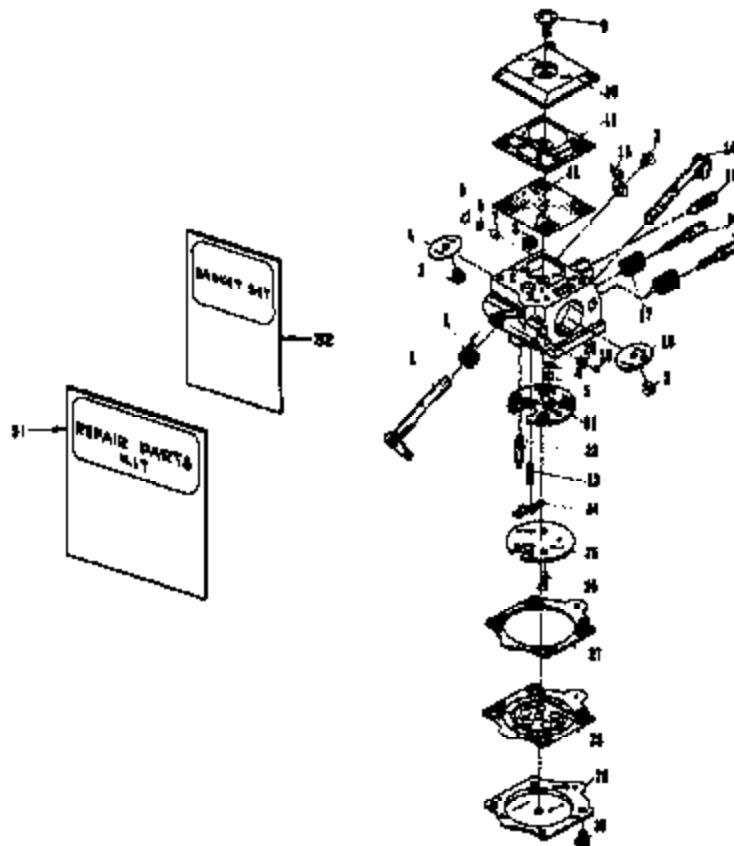
* Denotes new parts † Optional

Note 1 - Use 65036-3 Bracket when using A-68469-2 Handle Bar

Note 2 - When using A-65987 Drum & Hub - Index numbers 45, 46, 47 and 49 are required.

Note 3 - Units with 3-piece clutch include items #50, 51 & 52 and require index #48 - 65024-1 (Inner) Thrust Washer.

Super EZ Automatic & Super XL Mini Automatic



A-68415 HDC-4

HDC-4
Supersedes
HDC-1
&
HDC-2

No.	Description	Part No.	Qty.	No.	Description	Part No.	Qty.
1	SHAFT-throttle	67362	1	18	VALVE-choke	67365	1
† 2	SPRING-throttle return	67376	1	† 19	BALL-choke friction	60051	1
† 3	SCREW-valve	67372	2	† 20	SPRING-choke friction	64238	1
4	VALVE-throttle	67363	1	† 21	GASKET-circuit	67367	1
† 5	RING-screen retaining	67360	2	† 22	VALVE-inlet needle	64229	1
† 6	SCREEN-check valve	67361	2	† 23	SPRING-metering lever	67378	1
7	JET-limiting	69481	1	† 24	LEVER-metering	67363	1
† 8	SCREEN-fuel inlet	64243	1	25	PLATE-circuit	67382	1
9	SCREW-fuel pump	67374	1	26	SCREW-circuit plate	67375	2
10	COVER-fuel pump	67361	1	† 27	GASKET-metering diaphragm	64231	1
† 11	GASKET-fuel pump	67369	1	† 28	DIAPHRAGM-metering	67371	1
† 12	DIAPHRAGM-fuel pump	67370	1	28	COVER-metering diaphragm	64224	1
13	STOP-throttle	67368	1	30	SCREW-metering cover	64689	4
14	SHAFT-choke	67364	1	31	REPAIR KIT	67384	1
15	SCREW-idle adjustment	67373	1	† 32	GASKET SET	67369	1
† 16	NEEDLE-idle adjustment	67379	2		REPAIR KIT	65386	1
† 17	SPRING-needle adjusting	67377	2				

† Indicates contents of Repair Kit #67384

‡ Indicates contents of Gasket Set

Super EZ Automatic & Super XL Mini Automatic

Tools

24299	ANVIL-crankshaft installation	
24320	BIT- #3 pozidriv	
24295	COLLAR-bearing installation	
24173	DRIVER-check valve (carburetor)	
A-24309	JACKSCREW	
	Includes:	
84035-1	WASHER	
24298	PLUG-bearing & seal installation	
23756	PLUG-bearing installation	
24294	PLUG-needle bearing installation	
24292	PLUG-seal & bearing removal	
A-24290	PULLER-magneto rotor	
	Includes:	
24801	SCREW-rotor remover	(4)
87912	RING-retaining	(4)
23138-1	SLEEVE-bearing & shaft installation	
24300	SLEEVE-crankshaft bearing installation	
24297	SLEEVE-seal protecting (crankcase)	
24291	SLEEVE-seal (drivecase)	
A-24060	WRENCH-clutch (spanner) (3 piece)	
	Includes:	
64309	PIN-dowel	(3)
A-24284	WRENCH-combination	
A-23896-A	WRENCH-spanner (1/8" clutch)	
	Includes:	
23717-A	PIN-clutch spanner	(2)

Super EZ Automatic & Super XL Mini Automatic

Paint

22772	SPRAY CAN-black
23475	SPRAY CAN-red
23560	SPRAY CAN-white

Accessories

A-66936	CARRYING CASE
24352	COMPOUND-sealing (Duxseal)
*A-66955	KIT-anti-kickback guard
A-24338	KIT-fasteners
A-24336	KIT-filter
A-24276	KIT-guide bar plate
A-67947	KIT-heat exchanger
A-24366-A	KIT-ignition (Phelon) units above S/N 91600198
A-24337-A	KIT-ignition (Phelon) units below S/N 91600198
A-24481	KIT-ignition (Wico)
23488-B	KIT-Loctite
A-67050	KIT-repair (Sprocket Nose Bars)
A-24335-A	KIT-starting rope
A-67802	KIT-throttle adj. stop units below S/N 93360678
69848	ROPE-starter, 250' reel #4
A-65256	SPARK ARRESTOR ASSEMBLY

* Denotes new parts