

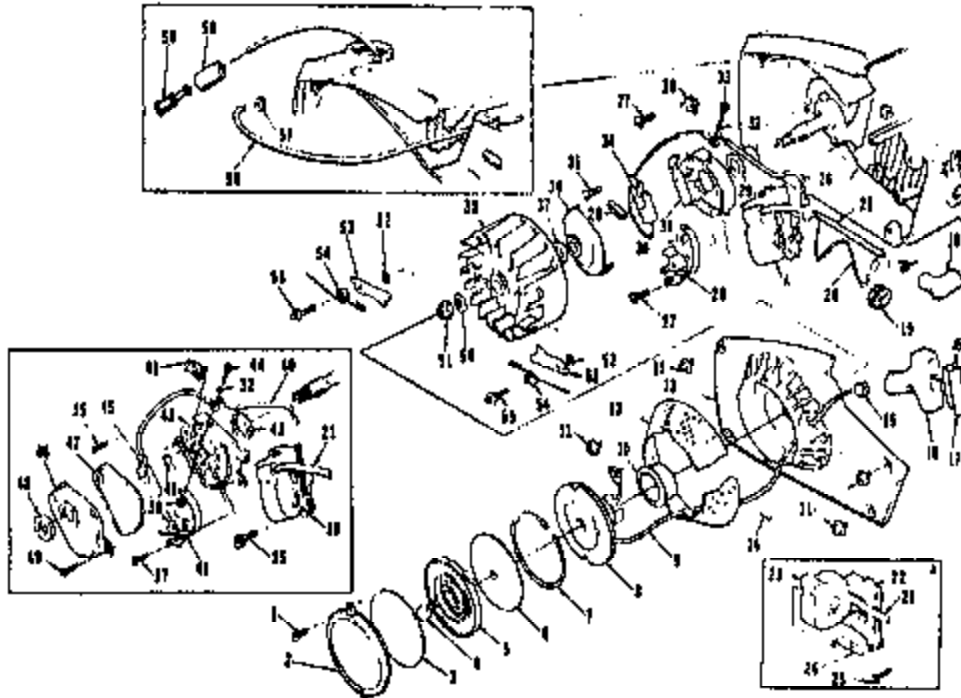
**Part No. 17120**

# **SUPER MINI S PARTS LIST**

**HOMELITE TEXTRON**

Homelite Division of Textron Inc

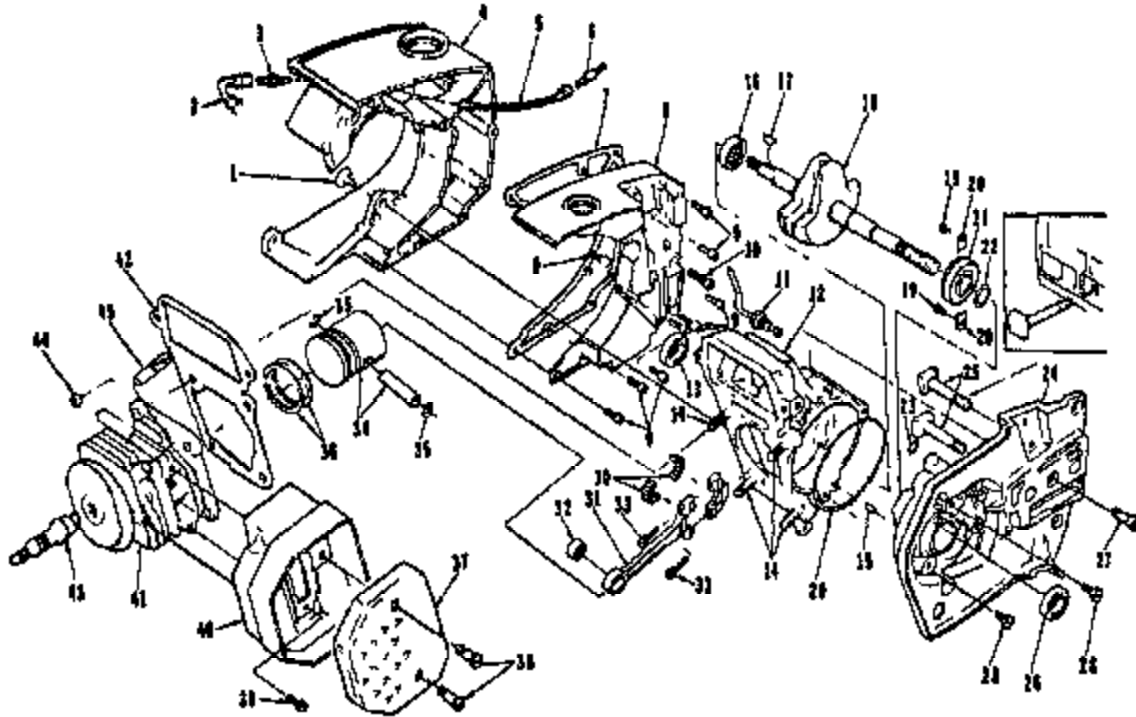
# SUPER-MINI-S



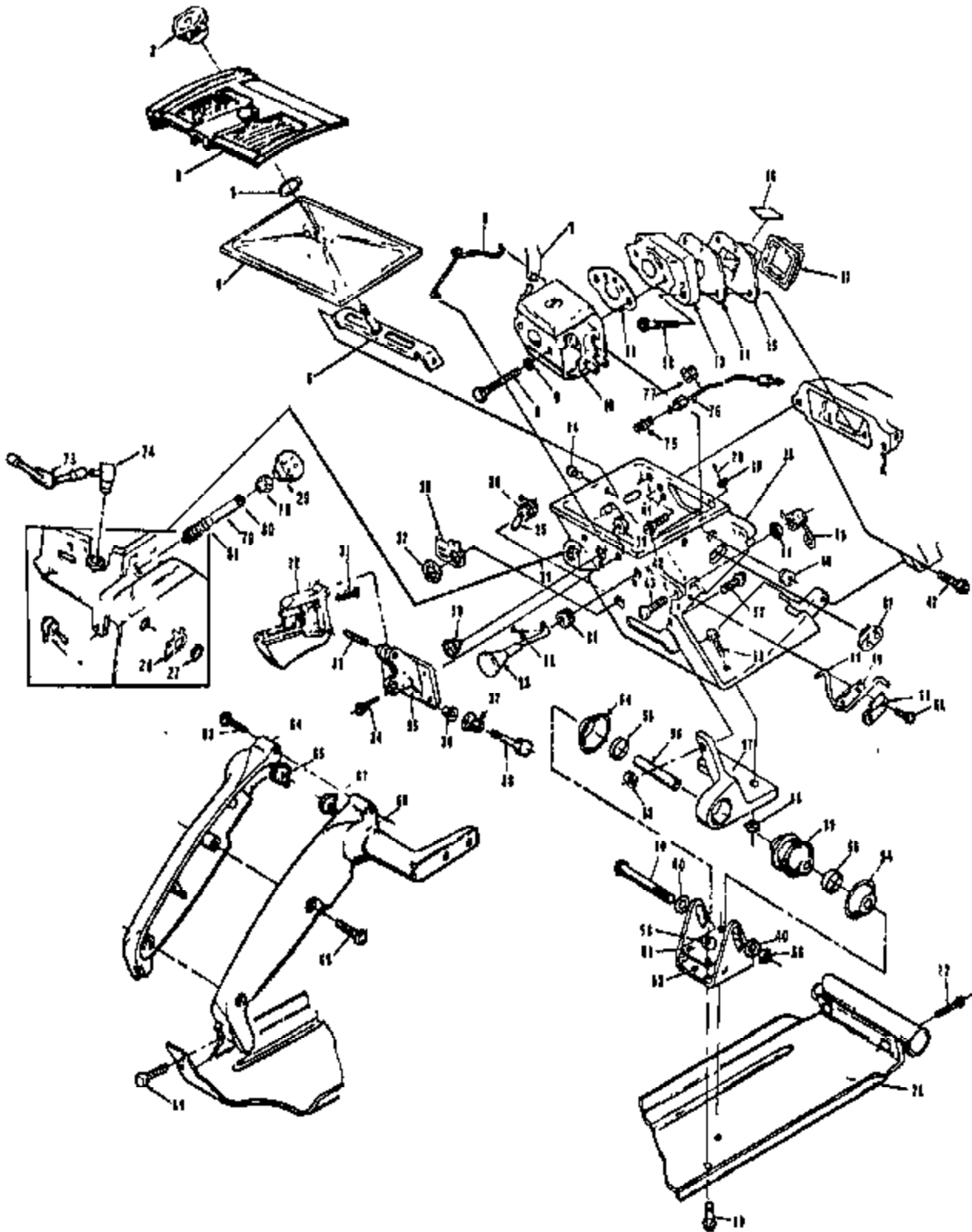
No.	Description	Part No.	Qty.	No.	Description	Part No.	Qty.
1	SCREW- Pan, 8-32 x 3/8	60577	2	36	*COVER- Breaker box	A-65210-A	1
2	COVER- Starter	65085-2	1		Includes:		
3	SHIELD- SPRING (Inner)	65113	1	37	*SEAL-Felt	66211	1
4	LOCK- Spring	65102	1	38	*ROTOR- Magneto	65268	1
5	SPRING- Rewind	65107	1	†ROTOR- Magneto	66701	1	
6	SHIELD- Spring (outer)	65114	1	†COIL & CORE	66718	1	
7	RING- Retaining	65125	1	†LEAD GROUP- Primary	66712	1	
8	PULLEY & CLIP	A-65170	1	41	†POINTS- Breaker	A-66710	1
9	ROPE- Starter, 42" #4	66528	1		Includes:		
10	BUSHING- Starter cup	66244	1	42	†SEAL- Felt	66705	1
11	SCREW- Hex, 10-32 x 5/8	60704	4	†WASHER- Thrust (not shown)	26028	A/R	
12	HOUSING- Rewind starter	A-65222-1	1	†LOCK- Breaker arm (not shown)	28008	1	
	Includes:			43	†BOX-Breaker	66708	1
13	SCREEN- Air Inlet	66189	1	44	†SCREW- Hex, 8-32 x 1/2	66700	1
14	STUD- Drive #2	66133	3	46	†CONDENSER	66711	1
15	BUSHING- Starter rope	66186	1	48	†COVER- Breaker box	A-66704	1
16	GRIP- Starter rope	66183	1		Includes:		
17	INSERT- Rope retaining	66837	1	47	†GASKET- Breaker box cover	66774	1
18	TERMINAL- Spark plug	A-33055	1	48	†SEAL- Felt	66773	1
19	GROMMET- Hi-tension lead	75036	1	49	†SCREW- Cover mounting	66715	2
20	LEAD- Ground	A-63938	1	60	WASHER- Flat, 5/16	64065-1	1
21	LEAD- Hi-tension	66205	1	51	NUT- Hex, 5/16-24	61112	1
22	CORE- Coil	66256	1	52	WASHER- Starter pawl	63046	2
23	*COIL- Ignition	66256	1	53	PAWL- Starter	66108	2
24	*RETAINER- Coil	66257	1	54	SPRING- Starter pawl	66120	2
25	SCREW- Coil core	64021	2	55	STUD- Starter pawl	65108	2
26	*LEAD GROUP- Primary	65281	1	56	LINE- Fuel	A-68053-A	1
27	SCREW- Pan, 8-32 x 3/8	60571	2	57	Includes:		
28	*POINTS- Breaker	A-65203-A	1	57	GROMMET	68046	1
29	Includes:			58	FILTER- Fuel	A-69923	1
29	*SEAL- Felt	65209	1		Includes:		
30	NUT- Hex	65207	1	59	FILTER- Felt	64063	1
31	*BOX- Breaker	65206-A	1				
32	WASHER- Lock, #8	63004-1	1				
33	*SCREW- Hex, 8-32 x 7/16	67628	1				
34	*CONDENSER	65288	1				
35	SCREW- Pan, 8-32 x 1/2	60580	1				

\*Phelon  
†Wico  
Phelon and Wico parts are not individually interchangeable.  
Complete magneto must be either Wico or Phelon.

# SUPER-MINI-S

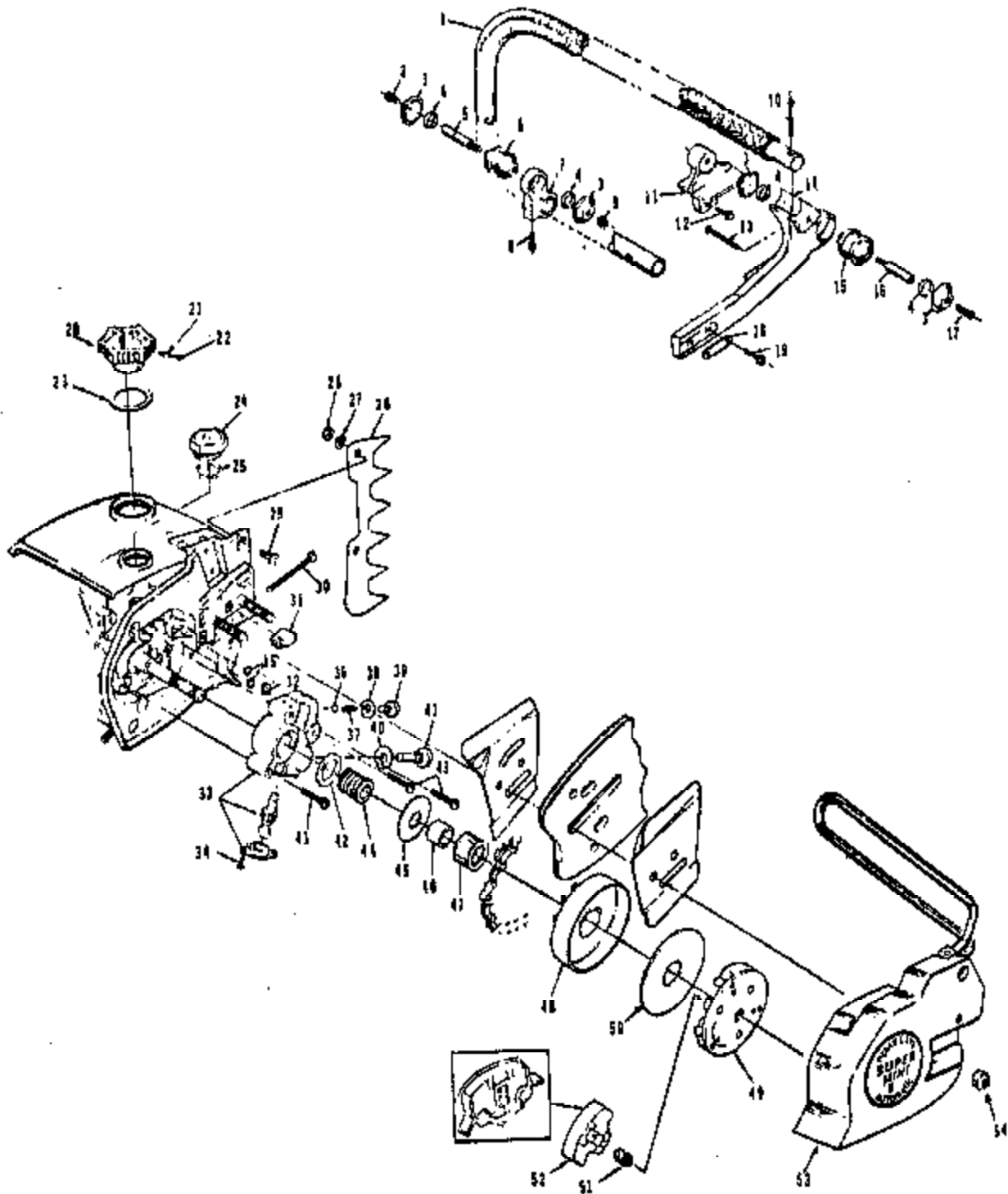


No	Description	Part No	Qty	No	Description	Part No	Qty
1	SCREW- Retaining	65321-A	3	24	DRIVECASE	A-84060	1
2	LINE- Oil (flexible)	65137	1		Includes		
3	FITTING- Oil line	65138-A	1	25	BOLT- Guide bar	65025	2
4	TANK- Fuel & oil	A-84328	1	26	SEAL	65019-J	1
5	LINE- Oil (pick up)	93112-14	1	27	SCREW- Fil, drivecase retainer	65167-A	1
6	FILTER- Oil	A-85172	1	28	SCREW- Hex, 12-24 x 5/8	60678	3
7	GASKET- Fuel & oil tank	65048	1	29	"O"RING	65127	1
8	COVER- Fuel & oil tank	A-89832	1	30	BEARING- Needle (set of 28)	A-65009	1
9	SCREW- Fil, 8-32 x 5/8	62146	9	31	ROD- Connecting	A-68061	1
10	SCREW- Fil, 8-32 x 1-7/16	62187	1		Includes		
11	LINE- Oil	A-69334	1	32	BEARING- Needle	68512	1
12	CRANKCASE	A-69260	1	33	SCREW- Soc, 6-32 x 9/16	60805	2
	Includes			34	PISTON & PIN	A-68487	1
13	SEAL	65018	1		Includes		
14	STUD- Cylinder	65871	4	35	RING- Piston pin retaining	64813	2
15	PIN- Dowel	65163	1	36	PISTON RING	68508	2
16	BEARING- Roller	65179	1	37	CAP- Muffler	68263-1	1
17	KEY- Woodruff	65128	1	38	SCREW- Shoulder	64133-A	2
18	CRANKSHAFT	65008-2	1	39	SCREW- Hex, 10-32 x 3/8	60870	3
19	SCREW- Bearing retaining	69704	2	40	BODY- Muffler	A-65152-2	1
20	WASHER- Lock special	63905	2	41	CYLINDER- 1-9/16 dia	A-69737-A	1
21	BEARING- Ball	65044-B	1	42	GASKET- Cylinder	65018	1
22	RING- Retaining	66045	1	43	SPARK PLUG	65130-S	1
23	"O"RING	69074	1	44	NUT- Hex, 1/4-28	81065-2	4
				45	VALVE- Compression release	A-65184	1



# SUPER-MINI-S

No.	Description	Part No.	Qty.	No.	Description	Part No.	Qty.
1	COVER- Air filter	85096-10	1	42	SCREW- 12-24 x 5/8	80678	3
2	NUT- Cover mounting	A-85272	1	43	SCREW- Rd hd. 10-32 x 7/8	80040	1
3	RING- Retaining	58318-A	1	44	NUT- Hex 10-32	81010-1	1
4	FILTER- Element air	A-88178	1	45	SPRING- Release valve	85174	1
5	BRACKET- Air filter cover	A-93138	1	46	GROMMET- Idls	88187	1
6	ROD- Throttle	85072-1	1	47	GROMMET- HI-Lo	88198	1
7	LINE- Fuel	A-88083-A	1	48	LEVER- Release	89125	1
8	SCREW- Hex hd. (10-32 x 1 5/8)	82185	2	49	PLATE- Lever	85092	1
9	LOCKWASHER	83046	2	50	CLAMP- Lever	85093	1
10	CARBURETOR	A-88415-A	1	51	SCREW- Pan hd.	80571	2
11	GASKET- Carburetor	85016	1	52	SCREW- 10-32 x 5/8	80572	1
12	SCREW- Shoulder	84348-A	3	53	SCREW- 10-32 x 6/8	80704	2
13	MANIFOLD- Intake	A-85154-1A	1	54	WASHER- Vibrator Isolation	70440-A	2
14	GASKET- Reed valve seat	85014-A	1	55	RING- Vibrator Isolator	70432	2
15	SEAT- Reed valve	85010	1	56	SPACER- Front mount	70530	1
16	REED- Valve	85012-A	4	57	BRACKET- Isolator mounting	70468-2	1
17	RETAINER- Reed valve	85011-A	1	58	NUT- Centerlock 10-32	81206	6
18	CHAMBER- Carburetor	70459-1	1	59	ISOLATOR- Vibration	70466-A	1
19	WASHER- Flat	83290	1	60	SCREW- Machine hex hd.	70548	1
20	PIN- Cotter	88301	1	61	PLATE- Bracket	70541-1	1
21	GROMMET	84882	1	62	BRACKET- Isolator (rear)	70460-1	1
22	PIN- Cotter	88324	1	63	SCREW- Pan hd 10/32 x 1	80824	1
23	ROD- Choke	88072-1	1	64	COVER- Throttle handle (felt)	A-70518	1
24	SCREW- 8-32 x 3/8	80577	2		Includes:		
25	SLEEVE- Grounding switch	88082	1	65	BUMPER	70488	1
26	SWITCH- Toggle	A-83938	1	66	HANDLE- Throttle (right)	A-70531	1
	Includes:				Includes:		
27	NUT- Toggle switch	72084-A1	1	67	BUMPER	70486	1
28	PLATE INDICATING - "Off-On"	83910	1	68	SCREW- Pan hd. 8-32 x 6/8	80582	2
29	BUTTON- Oil pump	70820	1	69	SCREW- 8-32 x 1/2	80560	2
30	BOOT- Throttle rod	87634	1	70	SCREW- Button hd. hex	82307	1
31	SCREW- Pan hd.	82188	1	71	PLATE- Bottom	A-70519-1	1
32	TRIGGER- Throttle	85031-1	1	72	SCREW- Hex hd. (10-32 x 3/4)	82220	2
33	PIN- Trigger	88888-1	1	73	LINE- Oil	86137	1
34	SCREW- Hex hd.	80989	4	74	VALVE- Check	A-85076	1
35	BRACKET- Throttle trigger	A-70542	1	75	VALVE- Check (outlet)	A-85077	1
	Includes:			76	LINE- Oil	A-85214	1
36	BUSHING	87752-1	1	77	GROMMET- Oil line	85086	1
37	SPRING- Throttle latch	84677	1	78	NUT- Plunger	85082	1
38	PIN- Trigger latch	85171-A	1	79	PLUNGER- Oil pump	A-88061-A	1
39	NUT- Hex centerlock (8-32)	81223	4		Includes:		
40	WASHER- Flat	84088	2	80	"O" Ring	59074	1
41	GROMMET- Oil line	85085-1	1	81	"O" Ring	58406	1

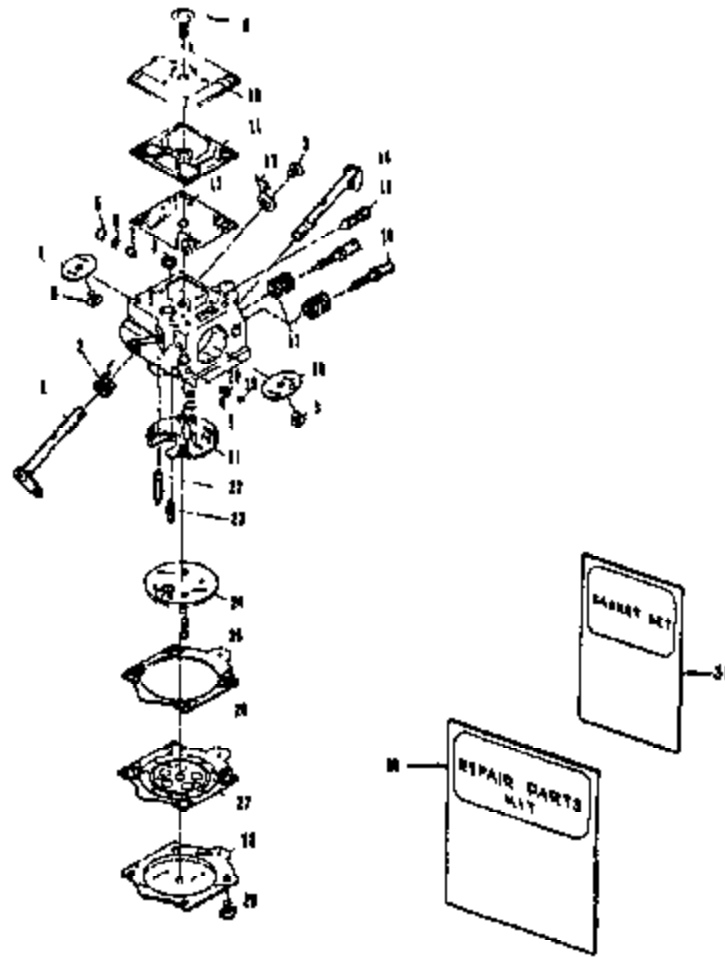


## SUPER-MINI-S

No.	Description	Part No	Qty.
1	HANDLE BAR- Flush cut	A-70518-1	1
2	SCREW- Cap hex hd 10-32 x 2.0	82321	1
3	WASHER- Vibration isolation	70440-A	4
4	RING- Vibration isolation	70432	4
5	SPACER	70433	1
6	ISOLATOR- Vibration	70485-A	1
7	CONNECTOR- Isolator mtg	70457-2	1
8	SCREW- Hex washer hd. (10-32 x 7/8)	82288	1
9	SPACER	70530	1
10	SCREW- Soc hd cap 10-32 x 7/8	82189	1
11	BRACKET- Isolator mtg	70452-2A	1
12	SCREW- 10-32 x 5/8	80704	2
13	SCREW- Flat (12-24 x 1-1/2)	82223	1
14	BRACKET- Handle bar	A-83134	1
15	ISOLATOR- Vibration	70520	1
16	SPACER	70433	1
17	SCREW- Cap hex hd. 10-32 x 2.0	82321	1
18	PLATE- Back	70505-1	1
19	SCREW- 10-32 x 1/2	80848	2
20	CAP- Fuel filler	A-89500-A	1
	Includes		
21	VALVE- Check	89451	1
22	FILTER- Filler cap	89454	1
23	GASKET- Fuel filler cap	89501	1
24	CAP- Oil	A-85284-1A	1
	Includes		
25	GASKET- Oil cap	89834	1
26	KIT- Sprked bumper	A-85181	1
	Includes		
27	SCREW	88006-1	2
28	NUT- Hex 10-32	81010-1	2
29	SCREW- Flat hd 10-32 x 5/8	80086	2
30	SCREW- Guide bar adjusting	88176-A	1
31	PIN- Guide bar adjusting	65112-1	1
32	NUT- Flexloc 10-32	81108-2	1
33	PUMP- Automatic oil	A-85212-B	1
	Includes		
34	SCREW- Pan hd (4-40 x 1/4)	80919	1
35	"O"RING	89074	2
36	BALL- Rubber 5/32	84226	1
37	SPRING- Check valve	85017	1
38	GASKET- Check valve	85144	1
39	CAP- Check valve	A-88207	1
40	GASKET- Cam screw	86146	1
41	SCREW- Cam	85138	1
42	SEAL- (Felt) oil pump	86142	1
43	SCREW- Pan hd 8-32 x 3/4	80587	3
44	GEAR- Worm	85047-A	1
45	WASHER- Thrust (outer)	85084	1
46	RACE- Inner	85748-B	1
47	BEARING- Roller	81124	1
48	SPROCKET & DRUM	A-12294-2	1
49	PLATE- Clutch	87855-1	1
50	WASHER- Thrust (Inner)	85024	1
51	SPRING- Clutch	85217	3
52	SHOE- Clutch	85892	3
53	COVER- Drivcase	94618-2	1
54	NUT- 5/16-18	81188	2

Carburetor

A-68415-A

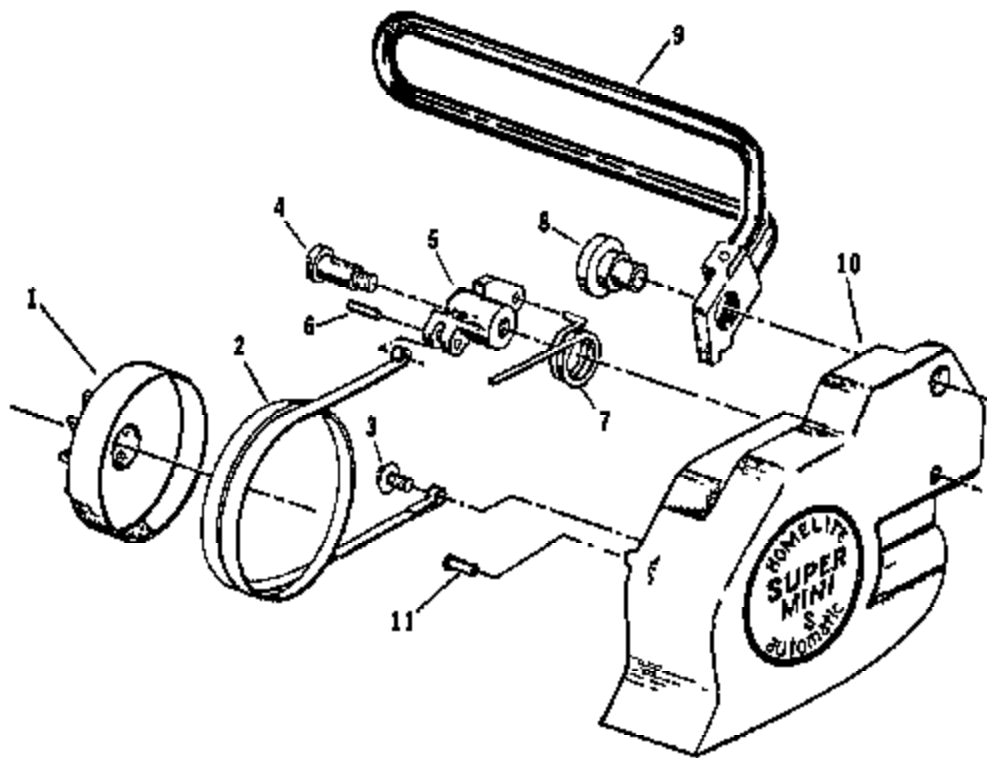


HDC-44

No	Description	Part No.	Qty	No	Description	Part No.	Qty
1	SHAFT- Throttle	67362	1	18	VALVE- Choke	67365	1
2	SPRING- Throttle return	167376	1	19	BALL- choke friction	160051	1
3	SCREW- Valve	167372	3	20	SPRING- Choke friction	164238	1
4	VALVE- Throttle	67363	1	21	GASKET- Circuit	167367	1
5	RING- Screen retaining	167360	2	22	VALVE- Inlet needle	164229	1
6	SCREEN- Check valve	167381	2	23	SPRING- Metering lever	167378	1
7	JET- Limiting	68461	1	24	PLATE- Circuit	93199	1
8	SCREEN- Fuel inlet	164243	1	25	SCREW- Circuit plate	67375	2
9	SCREW- Fuel pump	67374	1	26	GASKET- Metering diaphragm	164231	1
10	COVER- Fuel pump	67361	1	27	DIAPHRAGM- Metering	167371	1
11	GASKET- Fuel pump	167368	1	28	COVER- Metering diaphragm	64224	1
12	DIAPHRAGM- Fuel pump	167370	1	29	SCREW- Metering cover	64889	4
13	STOP- Throttle	67368	1	30	REPAIR KIT	93203	1
14	SHAFT- Choke	67364	1	31	GASKET SET	167369-A	1
15	SCREW- Idle speed	67373	1		REPAIR KIT- Check valve Assy	65386	1
16	NEEDLE- Idle adjustment	193202	2		KIT- Gasket diaphragm	70655	
17	SPRING- Needle adjusting	167377	2				

†Indicates contents of Repair Kit #93203  
‡Indicates contents of Gasket Set





### SUPER MINI S CHAIN BRAKE

No.	Description	Part No.	Qty.
1	SPROCKET & DRUM	A-12294-2	1
2	BAND- Brake	94614	1
3	SCREW- 1/4-20 x 5/8	82258	1
4	SCREW- Shoulder	69551	1
5	LEVER- Brake	94615-1	1
6	PIN- Roll (3/16 x 1/2)	87911	1
7	SPRING- Torsion	70093-B	1
8	SUPPORT- Vibration mount	70506-A	1
9	HAND GUARD & LEVER	A-69560-A	1
10	COVER- Drivecase	94616-2	1
11	SLEEVE- Headed	70313	1